

Product Range International 2016

# PVDF SYGEF



## Introduction

# The best choice for you

## Corrosion and chemical resistant system solutions

### + Georg Fischer

Georg Fischer focuses on three core businesses: GF Piping Systems, GF Automotive and GF Machining Solutions. The industrial corporation founded in 1802 headquarters in Switzerland and operates approximately 130 companies with more than 14 000 employees across 30 countries.

GF Piping Systems is a leading supplier of plastic and metal piping systems with global market presence. For the treatment and distribution of water and chemicals, as well as the safe transport of liquids and gases in industry, we have the corresponding jointing technologies, fittings, valves, automation products and pipes in our portfolio.



GF Piping Systems headquarters in Schaffhausen, Switzerland.

### + Our market segments

Being a strong partner, GF Piping Systems supports its customers in every phase of the project. No matter which processes and applications are planned in the following market segments:

- Building Technology
- Chemical Process Industry
- Energy
- Food & Beverage / Cooling

- Microelectronics
- Marine
- Water & Gas Utilities
- Water Treatment

### + Global presence

Our global presence ensures customer proximity worldwide. Sales companies in over 26 countries and representatives in another 80 countries provide customer service around the clock. With 48 production sites in Europe, Asia and the USA we are close to our customers and comply with local standards. A modern logistics concept with local distribution centers ensures highest product availability and short delivery times. GF Piping Systems specialists are always close by.

### + Complete solutions provider

Our extensive product range represents a unique form of product and competence bundling. With over 60 000 products, allied with a broad range of services, we offer individual and comprehensive system solutions for a variety of industrial applications. Our automation offering perfectly fits into our complete system approach and is thus an integral part of our portfolio. Having the profitability of the project in focus, we optimize processes and applications that are integrated into the whole system.

Continually setting standards in the market, we directly provide our customers with technological advantages. Due to our worldwide network customers benefit directly from over 50 years of experience in plastics.

From start to finish, we support our customers as a competent, reliable and experienced partner, actively contributing the know-how of an industrial company that has been successful in the market for over 200 years.

The system

# The System for Highly Demanding Applications

## Superior purity, outstanding chemical and temperature resistance

We are dedicated to designing, manufacturing and marketing piping systems for the safe and secure treatment or conveyance of different qualities of water, liquids and chemicals. Customers rely on our 40+ years experience in Fluoropolymers, our state-of-the-art production technology and our global presence with a worldwide service and training offering. In close collaboration with end-customers and based on their high requirements, GF Piping Systems introduced the SYGEF family – specified PVDF system based on certified raw material. SYGEF is the optimal choice for highly demanding applications on the industrial field.



## + Individuality – From the planning stage to installation

### SYGEF Standard (PVDF)

The single-bagged and reliable transport solution for chemical and water applications – even at high temperatures. Defined manufacturing conditions and a high performance raw material ensure the suitability for harsh environments as encountered in disinfection and chemical transport.

### SYGEF Plus (PVDF HP)

The double-bagged, high purity (HP) piping system offers additional opportunities for highly demanding applications like conveying hot ultrapure water (HUPW) for microelectronic industries. By manufacturing, cleaning and packing under cleanroom conditions up to ISO class 5 (100), SYGEF Plus achieves an excellent surface finish, superior leach out characteristics and stringent particle control combined with high reliability and product lifetime.



Pipes



Fittings



Valves

### Quality control and assurance

SYGEF systems warrant 100% traceability through our computer aided quality production, packaging and labeling from raw material to the end product.

### Temperature and chemical resistance

SYGEF systems are reliable for difficult applications with high temperatures and aggressive chemicals. Through our service team we offer individual support to match your material requirements.



## + Main benefits

### Complete system range

- One-stop-shopping
- Including pipes, fittings, valves and automation
- Proven jointing technologies
- Worldwide service: customizing, machine rental pool, training and sales support
- System lifetime warranty\*

### Total plastic solution

- Outstanding temperature range
- Excellent chemical resistance and purity
- Extremely smooth surface finish
- Rouging- and corrosion-free
- Excellent abrasion resistance
- UV and weather resistant
- No electric conductivity
- Low thermal conductivity

### High purity application

- Virgin raw materials
- No additives, stabilizers or pigments
- Outstanding leach-out values
- Fully controlled clean room production
- 100 % traceability and audited by an independent external company



Automation



Jointing technology



Customizing and training

### Technical support

For any successful installation a good technical support is the key factor. A team of experts is available for individual assistance all around the world.

### Customizing

The focus of our worldwide located customizing teams is manufacturing custom parts for special systems. Standardized processes guarantee the highest level of quality.

### Technical documentation

Our extensive expertise of more than 50 years is fully documented in detail in our technical manuals, planning fundamentals and application guides.

### Training courses and on-site training

We offer a wide range of training courses that provide participants an excellent opportunity to gain confidence in working with our products and proven jointing technologies.

### Online and mobile calculation tools

Our numerous online and mobile calculation tools in many different languages support our customers in configuring and commissioning automation products.

### CAD library

The extensive CAD library is the most frequently used planning tool. Our online database comprises over 30 000 drawings as well as technical data for our customers. Many formats are available.

\* Detailed information regarding the warranty can be found under: [www.gfps.com](http://www.gfps.com) – Planning Fundamentals



Completely controlled process

# The SYGEF High Purity Chain

## 1 Raw material

SYGEF starts the journey with the highest available quality raw materials. Our suppliers provide analytical proof of compliance with the highest specifications for every shipment. Once the raw materials enter our plant, GF performs extensive incoming goods inspection. This assures that only raw materials fulfilling the strict requirements are released for production.

## 2 Manufacturing

Manufacturing of the SYGEF Plus products is done in a clean room class 7 (10000) or better using completely controlled processes. During the complete production process the inner surface area of the pipes, fittings and valves are in contact with air up to class 5 (100).

## 3 Quality control

A very detailed and unique QS-system has been implemented to ensure the highest level of quality. It is directly linked to the manufacturing of the complete SYGEF range and includes a 100% inspection of every product to ensure maximum performance including visual inspection, valve packaging and valve seat-tests.

# The high purity chain is made up of six links. Each one plays its important role

Manufacturing a product that achieves the lowest possible levels of particle contamination, TOC, anionic and cationic contamination, ultimate surface finish is the result of the relevant links. But it does not stop here. When the product leaves our state-of-the-art warehouse it is delivered to you in protective packaging.

Finally the installation is supported by the most advanced and established welding technology in existence. This technology combined with years of installation training experience make the most of the product when it is installed.

## 4

### Cleaning & packing

Highest purity through consistent cleaning of all SYGEF Plus products is achieved in clean rooms up to class 5 (100), using 18MΩ pure water and special cleaning devices. All products are packaged under selected and strictly monitored process conditions to avoid contamination. Pipes are capped and all SYGEF Plus components are double bagged with a high quality, certified clean bagging material.

## 6

### Installation & services

With broad selection of system specific state-of-the-art welding equipment GF is offering proprietary IR welding technology up to d450mm. Enhanced by industry leading weld bead inspection the highest quality and most reliable system is ensured. Project support including design, installation training and worldwide located service centers completing the high purity chain.

## 5

### Logistics

SYGEF products are stored in a separate warehouse for pipes, fittings and valves with distribution centers located worldwide. To avoid damage of SYGEF pipes GF has designed special wooden boxes for storage and transportation. This ensures that the highest possible quality and safety during transportation to the customer is ensured.



High tech factory Ettenheim / Germany

# SYGEF Cleanroom Production

**All SYGEF components are manufactured in the world's largest cleanroom factory for fluoropolymer products in Ettenheim**

GF Piping Systems played a major role in establishing the relevant standards SEMI F40, F48 and F57 for polymer component testing. Due to long experience and continuous improvements SYGEF Plus pipes, fittings and valves are exceeding these requirements to increase our customers' yield. SYGEF Plus products are strictly fulfilling the strong requirements of the ITRS\* roadmap in order to be prepared for upcoming, even more demanding processes in the future.



## Fully controlled environment

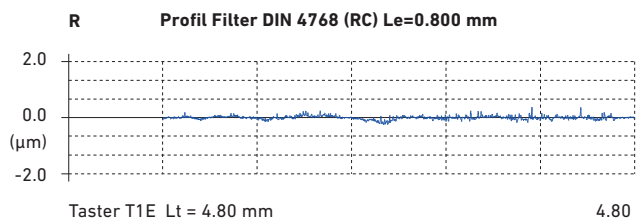
The SYGEF production area includes 5600m<sup>2</sup> cleanroom: 4000m<sup>2</sup> class 7 (10 000), 1000m<sup>2</sup> class 6 (1 000) and 600m<sup>2</sup> class 5 (100) in operation. All cleanrooms are continuously monitored and audited internally and by external companies. The microbiological and specified particle measurements are fully documented with a unique quality assurance (QA) system.

## Ultrapure water plant

Cleaning and rinsing of components with water of impeccable quality assures a constantly high level of cleanliness. SYGEF Plus products are subject to regular leach-out controls. Elementary system impurities like metals, anions and TOC\*\* are constantly monitored to exceed SEMI F57 requirements to warrant the highest possible system performance in use.

## Surface quality

Smooth surfaces are achieved due to special equipment design, proper tooling material's selection, mirror finish surface of inner cores and preventive maintenance schedule. Thereby for all SYGEF Plus products the inner surface roughness according SEMI F57 is surpassed.



Inner surface roughness measured at a SYGEF Plus T90° equal d250 SDR33/PN10





### Process expertise

Operating staff has in-depth process knowledge and over 40 years of experience in manufacturing products under strictly controlled cleanroom conditions. With regular internal trainings we ensure that our production team keeps always the highest performance and has the latest insights. All the injection molding machines and extrusion lines are developed by using the latest innovations and technologies.

### Quality Assurance

The safe delivery to jobsite and traceability of the finished product back to the raw material batch are ensured through completely controlled processes. All relevant data are archived in an internal QA database and electronically available for statistical researches.

### Safe and reliable system

Quality control is an integral part in every step of the high purity chain. Therefore each SYGEF Plus component is 100 % visually inspected, including overall cleanliness, surface appearance and imperfections in accordance to internal specifications.

All mechanical testing takes place in matchless Swiss federally accredited lab facility and external certificated labs. Together with unsurpassed installation equipment GF Piping Systems is superior regarding ovality, internal stress level and warpage. These key factors are able to influence the weld strength which leads to a longer system lifetime and a higher safety.



\* ITRS: International Technology Roadmap for Semiconductors

\*\* TOC: Total Organic Carbon

## System range

# More Than a System

With a constant focus on maximum reliability and safety the SYGEF system assures a sustained high level of product quality and outstanding performance for high-end applications. By using certified and completely controlled manufacturing processes the SYGEF products are manufactured according to all relevant specifications and these procedures are regularly audited and evaluated to achieve continuous improvement. Our customers can be assured that their needs are met or exceeded and that the products comply with all necessary standards.

### SYGEF Standard and SYGEF Plus system range

Products	SDR	DN	d																		
			16	20	25	32	40	50	63	75	90	110	125	140	160	200	225	250	280	315	355
Pipes	21	16	SYGEF Standard																		
	33	10	SYGEF Plus																		
Socket fusion fittings		16	SYGEF Standard																		
Butt fusion fittings (IR and BCF compatible)	21	16	SYGEF Standard																		
	33	10	SYGEF Plus																		
Ball valves		16	SYGEF Standard																		
		10	SYGEF Plus																		
Diaphragm valves		16	SYGEF Standard																		
		10	SYGEF Plus																		
Butterfly valves		16	SYGEF Standard																		
		10	SYGEF Plus																		
Check valves		16	SYGEF Standard																		
		10	SYGEF Plus																		
Pressure regulating valves		10	SYGEF Standard																		
Ventilating- and bleed valves		16	SYGEF Standard																		
Automation			SYGEF Plus																		
Flanges			SYGEF Standard																		
Flange seal			SYGEF Standard																		
Pipe clips			SYGEF Standard																		
IR fusion machine			SYGEF Plus																		
BCF fusion machine			SYGEF Standard																		
Butt fusion machine*			SYGEF Standard																		
Socket fusion machine			SYGEF Standard																		

SYGEF Standard SYGEF Plus

\* Technically possible but not recommended for SYGEF Standard



# System specifications



	SYGEF Standard	SYGEF Plus
<b>Material</b>	PVDF	virgin High Purity PVDF (PVDF-HP)
<b>Color</b>	opaque	opaque
<b>Density</b>	~1.78 g / cm <sup>3</sup> (EN ISO 1183)	~1.78 g / cm <sup>3</sup> (EN ISO 1183)
<b>Thermal expansion coefficient</b>	0.12–0.18 mm / m K (DIN 53752)	0.12–0.18 mm / m K (DIN 53752)
<b>Thermal conductivity at 23 °C</b>	0.19 W / m K (EN 12664)	0.19 W / m K (EN 12664)
<b>Yield stress at 23 °C</b>	≥ 50 N / mm <sup>2</sup> (EN ISO 527)	≥ 50 N / mm <sup>2</sup> (EN ISO 527)
<b>Tensile E-modul at 23 °C</b>	≥ 1 700 N / mm <sup>2</sup> (EN ISO 527/ASTM D790)	≥ 1 700 N / mm <sup>2</sup> (ISO 527/ASTM D790)
<b>Charpy notched impact strength at 23 °C</b>	≥ 8 kJ / m <sup>2</sup> (EN ISO 179)	≥ 8 kJ / m <sup>2</sup> (EN ISO 179)
<b>Dimensions</b>	d16–d315 in accordance to ISO 10931	d20–d450 in accordance to ISO 10931
<b>Temperature rating</b>	from -20 °C to 140 °C (-4 °F to 284 °F)	
<b>Production</b>	<ul style="list-style-type: none"> <li>- Pipes: extruded</li> <li>- Fittings: injection moulded / machined</li> <li>- Valves: injection moulded (additional oil free treated and paint compatible / silicon free)</li> </ul>	<ul style="list-style-type: none"> <li>- Pipes: extruded</li> <li>- Fittings / Valves: injection moulded / machined</li> <li>- Produced under clean room class 7 (10 000) conditions. Subsequent assembling, quality inspection and cleaning is carried out using 18 MΩ pure water under clean room class 5-6 (100 -1 000) conditions</li> </ul>
<b>Surface finish</b>	Inner surface Ra < 0.5 µm (20µin) for injection moulded and extruded components	Inner surface (PN10/ SDR33): d ≤ 225 Ra ≤ 0.2 µm (8µin) d = 250 Ra ≤ 0.3 µm (12µin) d280–315 Ra ≤ 0.4 µm (16µin) d355–450 Ra ≤ 0.65 µm (26µin) for injection moulded and extruded components
<b>Compliant to Semi F57</b>		
<b>Internal stress</b>	Pipes: ≤ 2.5 N / mm <sup>2</sup> ; stress relieved by thermal annealing during manufacturing	
<b>Material and product approvals</b>	DIBt FM-4910 listed cleanroom material FDA CFR 21 177.2510 USP 25 class VI (physiological non-toxic) ASME BPE	SEMI F57 FM-4910 listed cleanroom material DIBt FDA CFR 21 177.2510 USP 25 class VI (physiological non-toxic) ASME BPE
<b>Packing</b>	Pipes capped and multiple components single bagged in a specified bag	Pipes capped and each component double bagged in a specific inner bag and outer bag under clean room Class 6 (1 000) conditions
<b>Marking and labeling</b>	All components are embossed with a permanent identification during the production process to ensure full traceability:	
	<ul style="list-style-type: none"> <li>- Brand name</li> <li>- Material</li> <li>- Dimensions</li> <li>- Pressure rating</li> </ul>	<ul style="list-style-type: none"> <li>- Lot No.</li> <li>- Product description</li> <li>- Article number</li> <li>- Standard and approvals</li> </ul>



## Joining methods

# Convincing Welding Technologies

A diverse range of innovative and intelligent welding solutions is enriched with global training and service offerings

As a pioneer in the field, GF Piping Systems has always placed a very high priority on developing innovative joining techniques to fulfill specific requirements and materials in use. Simplicity in application, chemical resistance, thermal stability and long-term weld strength are the key drivers in our joining technologies. With a global joining training program, international machine rental and a worldwide network of service centers, our customers benefit from our expertise and practical experience.

### Welding technology

#### Socket fusion – the strong connection

The fast and reliable solution to produce heavy-duty connections, in the workshop or the field.

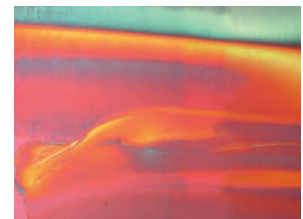
### Welding machine



### Joint cross-section

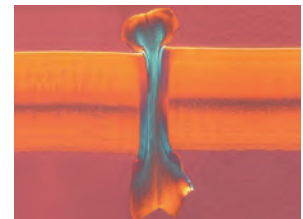


### Microscopy



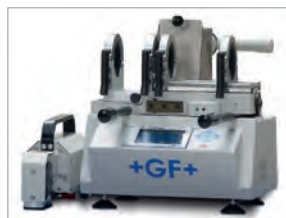
#### Butt fusion – the economical connection

Economical and flexible fusion especially for larger diameters. From manual machines to full CNC control with traceability.



#### IR-Plus (Infrared) fusion – the fast, clean connection

Fast, repeatable and clean welds via non-contact heating. Full traceability of the welding process, with user guidance.



#### BCF-Plus fusion – the smooth connection

Bead and Crevice Free joining with the highest weld factor, lowest stress and completely smooth fusion zone without any intrusions.



SYGEF system

# Key Products Specially Designed for You

Continuous improvements and new developments assure a maximum level of quality to our customers. The SYGEF Plus system offers very unique key products which are specially designed by GF Piping Systems to fulfill even the highest requirements in segments like Micro-electronic, Energy and Chemical Process Industry.



## System up to d450

- Completely controlled processes from raw material to installation
- Overall system reliability, purity and safety
- Wide range of pipes, fittings, valves, automation and accessories
- Stress reduced pipes
- SEMI F57 conformity



## High purity union

- Special HP design with unique positioning of the sealing
- Defined tightening for optimal deforming of the O-ring
- Crevice and dead space free to avoid bacterial growth
- Full plastic design without metal parts
- In accordance with ASME-BPE



## High purity diaphragm valves

- Maintenance free during temperature cycles due to full plastic design
- Maximized purity due to minimized dead legs and manufacturing in clean room class 5 (100)
- Double flow rate compared to other diaphragm valves



## Pressure regulating valves (PRV)

- Special HP-version with patented elastomer-free piston – no abrasion
- Valve assembly without metal screws for safer operation
- Compact and intelligent modular design
- Easy maintenance through replaceable cartridge



## Automated IR welding machine

- Advanced QA/QC technology and monitored jointing work
- Minimized operator errors by automated welding process
- Full horizontal freedom for complex installation
- State-of-the-art, man-machine interface with user friendly touchscreen display



## Ultrasonic flowmeter

- Noninvasive clamp-on design enables contamination free flow measurement
- Easy to retrofit – minimum downtime
- Real time monitoring
- Clean solution – no contact with medium
- Economic solution

## Specifications

# Exceeding Your Standards of Quality

## Technical specifications with focus on pressure, temperature and high purity attributes

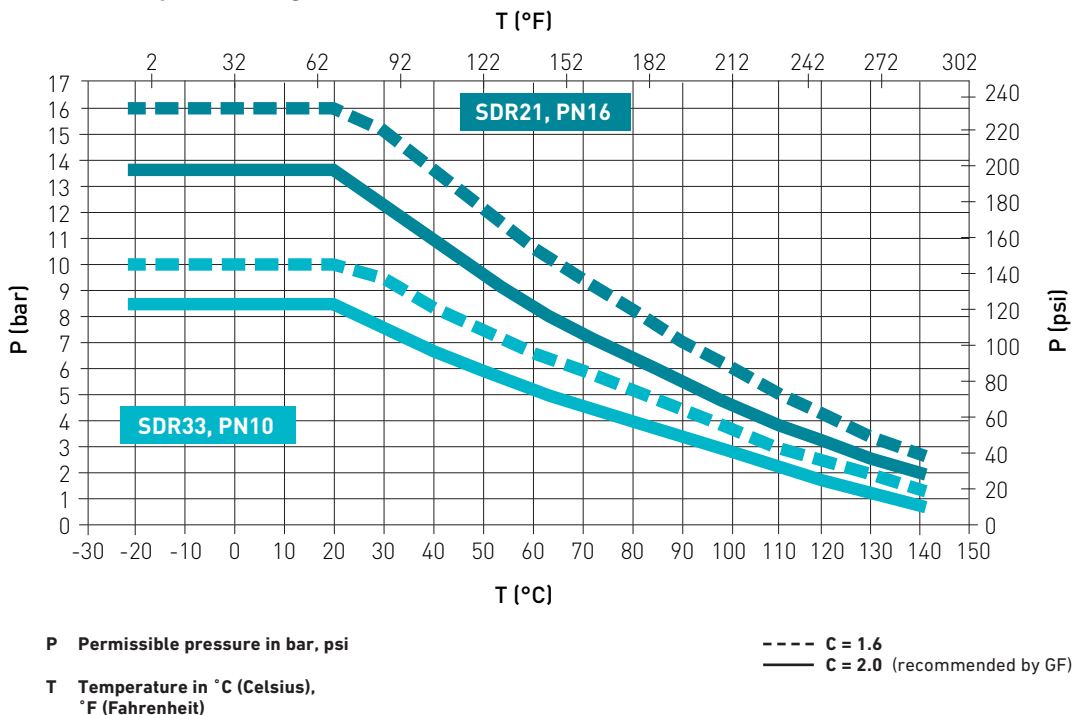
### Excellent pressure/temperature performance

SYGEF PVDF is a thermoplastic fluoropolymer with a melting point above 175 °C and a wide service temperature range from -20 °C to 140 °C. SYGEF systems are ideal for use in aggressive chemical or ultrapure water systems since they are generally considered inert, have high strength and stiffness, and are readily weldable into system components.

### Sterilization / sanitization / cleaning

Due to its outstanding material properties, our SYGEF systems are suitable for a broad range of sterilization or cleaning methods using steam, hot water, ozone and chemicals.

### Pressure-temperature diagram



P Permissible pressure in bar, psi

T Temperature in °C (Celsius), °F (Fahrenheit)

----- C = 1.6

———— C = 2.0 (recommended by GF)

The pressure/ temperature curve based on medium water, operating temperature of 20°C, valid life time of 25 years and the design factor of C = 2.0 or C = 1.6 respectively



Chemical resistance

# For Your Operational Safety



Professional material technology

## Polyvinylidene fluoride (PVDF) – a high quality material

### Chemical resistance at 20 °C

(Applications can be very dependent on the concentration)

Media	Chemicals	Partially crystalline thermoplastics			Amorphous thermoplastics		Stainless steel	
		PVDF	PE	PP	PVC-U	PVC-C	1.4401 316	1.4301 304
<b>Oxidizing acids</b> (HNO <sub>3</sub> , H <sub>2</sub> CrO <sub>4</sub> , H <sub>2</sub> SO <sub>4</sub> , etc.)	HNO <sub>3</sub> ≤ 25 %	+	0	0	+	+	0	0
	25 % ≤ HNO <sub>3</sub> ≤ 65 %	+	0	-	0	+	0	0
	H <sub>2</sub> CrO <sub>4</sub> aqueous solution	+	0	0	0	0	0	0
	H <sub>2</sub> SO <sub>4</sub> ≤ 70 %	+	+	+	+	+	-	-
	70 % ≤ H <sub>2</sub> SO <sub>4</sub> ≤ 96 %	+	-	-	+	+	-	-
<b>Non oxidizing acids</b> (HCl, HF, etc.)	HCl ≤ 30 %	+	+	+	+	+	0	-
	HF ≤ 40 %	+	+	+	+	-	0	-
	40 % ≤ HF ≤ 75 %	+	+	+	-	-	-	-
<b>Organic</b> (formic acid, acetic acid, citric acid, etc.)	HCOOH ≤ 25 %	+	+	+	+	+	0	-
	25 % ≤ HCOOH ≤ tech. pure	+	+	+	+	-	0	-
	CH <sub>3</sub> COOH ≤ 50 %	+	+	+	+	+	0	-
	50 % ≤ CH <sub>3</sub> COOH ≤ tech. pure	+	+	+	0	-	0	-
	C <sub>3</sub> H <sub>4</sub> OH (COOH) <sub>3</sub>	+	+	+	+	+	0	-
<b>Bases</b>	Inorganic (NaOH, KOH, etc.)	-	+	+	+	0	+	+
	Organic (amine, imidazole, etc.)	-	+	+	0	-	0	0
<b>Salts</b>	NaCl, FeCl <sub>2</sub> , FeCl <sub>3</sub> , CaCl <sub>2</sub> , etc.	+	+	+	+	+	0	0
<b>Halogens</b>	Chlorine, bromine, iodine, (no fluorine)	0	-	-	0	0	0	-
<b>Fuels / oils</b>	Aliphatic hydrocarbons	+	0	0	+	0	+	+
	Aromatic hydrocarbons	+	-	-	-	-	+	+
	Chlorinated hydrocarbons	0	-	-	-	-	0	0
<b>Solvents</b>	Ketones	0	+	+	-	-	+	+
	Alcohols	+	+	+	0	-	+	+
	Esters	0	0	0	-	-	+	+
	Aldehydes	-	+	+	-	-	+	+
	<b>Phenols</b>	Phenol, Cresol, etc.	+	+	+	-	-	+

+ resistant   0 conditionally resistant, please consult us   - not resistant

Please note: The above list is only intended as a guideline and does not replace an indepth review of material suitability for the particular application. The information is based on our experience and is state of the art. These data are general indicators only. In practice, however, other factors such as concentration, pressure and jointing technology must also be taken into consideration. The technical data are not binding and are not expressly warranted characteristics of the goods.

Please contact us for help in selecting the right materials.



The smarter way of automation

# Automation Made Easy

**A unique system-based approach that bundles and integrates competencies, knowledge, best-in-class resources and technologies**

With an innovative product portfolio in the field of measurement, control and actuation devices, GF Piping Systems consistently follows its system approach. The complete solution combines measurement, control and actuation technology together with high quality piping systems and represents a unique form of product and competence bundling. The system-integrated devices that measure values such as temperature, pressure and flow delivering accuracy, productivity, reliability and safety to customers in a wide range of industries. Providing the entire range of automation technology from simple instrument panels to complex measurement installations, GF Piping Systems has not only the product resources and the technical expertise, but also the global service and support infrastructure needed to meet the high customer requirements.



## Applications

# As Versatile as Your Applications

### Leading applications enabled by safe and reliable systems adapted to fit the needs of highly demanding industries

GF Piping Systems develops customized best-in-class solutions, aligned to the specific requirements of our customers in various sectors of industry, enabling profitable operation. With our system knowledge and product expertise, we support our customers during the planning process, the sustainable realization of the projects and provide valuable added services. Expertise in developing and producing piping systems, combined with profound industry and market knowledge, based on long-standing experience, makes GF Piping Systems an uniquely qualified and professional partner for our customers.

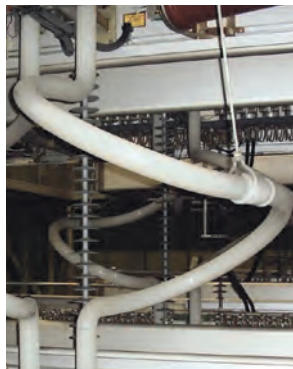
#### Microelectronics

Ultrapure water (UPW) is the lifeblood of semiconductor wet processing. SYGEF Plus system manufactured out of PVDF high purity material added with latest IR welding technology offers an industrial benchmark solution with excellent leach-out values and no rouging.



#### Energy

High voltage direct current (HVDC) transmission is used because of its efficiency with less power loss. Through its thermal resistivity SYGEF systems are well suited to conduct the deionized water in cooling systems to dissipate the generated heat. Custom solutions offered by GF Piping Systems.



#### Food & beverage

Lighter and corrosion-resistant compared to stainless steel SYGEF is ideal for the conveyance of food. With FDA conform BCF-welding a smooth and reliable connection is warranted. Maintenance cycles and lifetime are maximized to achieve highest system efficiency.



#### Chemical process industry

SYGEF is uniquely equipped to provide a broad and versatile solution for the safe conveyance of aggressive chemicals in extreme conditions. The excellent life span for temperatures up to 140°C including UV-resistance even allows outside installation.

#### Water treatment

With noticeably better water balance compared to steel, SYGEF enables the right water quality for any WT application like drinking water, industrial effluent treatment or filling and emptying of tanks which are required in manufacturing and processing plants to store liquid media.



#### Pharmaceutical

Down to the lowest pH values the excellent chemical resistance of SYGEF provides a high-quality and cost-effective alternative even to high-performance stainless steel or Titanium alloys. With BCF welding purest water conveyance, minimal microbiological growth and endotoxin risk is ensured.





# Table of contents

SYGEF Standard	20
SYGEF Plus	280
System-Oriented Fusion Jointing Machines	356
Index	373





# SYGEF Standard

Piping systems in PVDF



# SYGEF Standard – System Specification

<b>Material</b>	Polyvinylidene fluoride (PVDF)
Colour	opaque
Density	~1.78 g/cm <sup>3</sup> (ISO 1183 / ASTM D 792)
Surface tension	30–35 mJ/m <sup>2</sup>
Thermal expansion coefficient	0.12–0.18 mm/mK (DIN 53752)
E-modulus	≥1700 N/mm <sup>2</sup> (EN ISO 527 / ASTM D 790)
Thermal conductivity	0.19 W/mK (EN12664)
Surface resistivity	5 x 10 <sup>14</sup> Ωcm (IEC 60093)
<b>Dimension</b>	d16 (3/8")–d315 (12") in accordance to ISO 10931
<b>Pressure rating</b>	Pipes/fittings: PN16 (d16–d 315), PN10 (d90–d315) Valves: separate specification
<b>Temperature rating</b>	From –20 °C to +140 °C (–4 °F to +284 °F)
<b>Production</b>	Fittings/valves: injection moulded Pipes: extruded Valves: injection moulded (additional available oil free treated and paint compatible / silicon free)
<b>Surface finish</b>	Inner surface Ra ≤ 0.5 µm (20 µin) for injection moulded and extruded components
<b>Marking</b>	All components are embossed with a permanent identification during the production process to ensure full traceability. Lot No Material Dimension Pressure Rating
<b>Testing and inspection</b> (ISO 10931)	Inclusions Visual inspection Surface finish Dimension tolerance Pressure testing
<b>Approvals/conformance</b>	DIBt ASME BPE FDA CFR 21 177.2510 USP 25 class VI (physiological non-toxic) FM-4910 listing
<b>Welding technology</b>	BCF Plus, bead and crevice free fusion, size d20 (1/2")–d110 (4") IR Plus, infrared fusion (DVS 2207-6), size d20 (1/2")–d315 (12") Butt fusion (DVS 2207-15), size d20 (1/2")–d315 (12") Socket fusion (DVS 2207-15), size d16 (3/8")–d63 (2")
<b>Documentation*</b>	Certificate of Conformance with FDA, USP EN 10204 2.2 EN 10204 3.1
<b>Packing**</b>	Multiple components single bagged in specified bag
<b>Labeling</b>	Brand Name Product Description Code Number Material Dimension
<b>Main applications</b>	Uses include delivery of pharmaceutical grade purified water (PW) and DI water, using hot water, steam chemical or ozone sanitisation. Due to its excellent chemical resistance it is widely used in chemical distribution systems.

\* On request

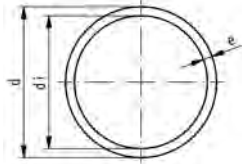
\*\* Not for socket fusion products

# Table of contents

Pipes	24
Fittings	25
Valves SYGEF Standard	59
AQUATAP	276

# Pipes

## Pipes



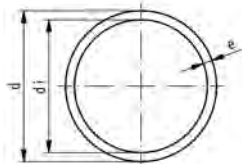
### SYGEF Standard pipe SDR33/PN10

**Model:**

- Material: PVDF
- Length: Lengths of 5 m

**Inflation surcharges for pipes are possible, they follow the current purchase of materials price.**

d (mm)	PN (bar)	FM	Code	Weight (kg/m)	e (mm)	di (mm)
90	10	BCF, IR	<b>175 480 665</b>	1.480	2.8	84.4
110	10	BCF, IR	<b>175 480 666</b>	2.200	3.4	103.2
125	10	IR	<b>175 480 667</b>	2.840	3.9	117.2
140	10	IR	<b>175 480 673</b>	3.520	4.3	131.4
160	10	IR	<b>175 480 668</b>	4.540	4.9	150.2
200	10	IR	<b>175 480 669</b>	7.190	6.2	187.6
225	10	IR	<b>175 480 670</b>	8.950	6.9	211.2
250	10	IR	<b>175 480 671</b>	11.100	7.7	234.6
280	10	IR	<b>175 480 656</b>	13.900	8.6	262.8
315	10	IR	<b>175 480 674</b>	17.600	9.7	295.6



### SYGEF Standard pipe SDR21/PN16

**Model:**

- Material: PVDF
- Length: Lengths of 5 m

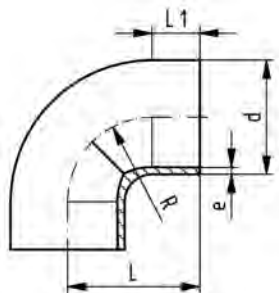
**Inflation surcharges for pipes are possible, they follow the current purchase of materials price.**

\*Available as from Q2, 2016

d (mm)	PN (bar)	FM	Code	Weight (kg/m)	e (mm)	di (mm)	
16	16	BCF, IR	<b>175 480 202</b>	0.171	1.9	12.2	
20	16	BCF, IR	<b>175 480 203</b>	0.210	1.9	16.2	
25	16	BCF, IR	<b>175 480 204</b>	0.269	1.9	21.2	
32	16	BCF, IR	<b>175 480 205</b>	0.435	2.4	27.2	
40	16	BCF, IR	<b>175 480 206</b>	0.563	2.4	35.2	
50	16	BCF, IR	<b>175 480 207</b>	0.850	3.0	44.0	
63	16	BCF, IR	<b>175 480 208</b>	1.090	3.0	57.0	
75	16	BCF, IR	<b>175 480 209</b>	1.550	3.6	67.8	
90	16	BCF, IR	<b>175 480 210</b>	2.230	4.3	81.4	
110	16	BCF, IR	<b>175 480 211</b>	3.330	5.3	99.4	
140	16	IR	<b>175 480 213</b>	5.312	6.7	126.6	
160	16	IR	<b>175 480 214</b>	6.961	7.7	144.6	
200	16	IR	<b>175 480 216</b>	10.862	9.6	180.8	
225	16	IR	<b>175 480 217</b>	13.700	10.8	203.4	
*	250	16	IR	<b>175 480 218</b>	17.150	11.9	226.2
*	280	16	IR	<b>175 480 219</b>	21.660	13.4	253.2
*	315	16	IR	<b>175 480 220</b>	27.220	15.0	285.0

# Fittings

## Butt fusion fittings

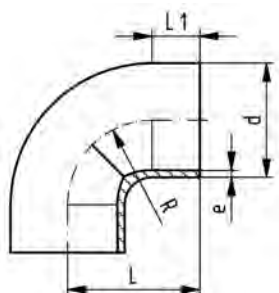


### SYGEF Standard bend 90° SDR21/PN16

**Model:**

- Material: PVDF
- \*Available as from Q2, 2016

d (mm)	PN (bar)	FM	Code	Weight (kg)	e (mm)	L (mm)	L1 (mm)	R (mm)
20	16	BCF, IR	735 018 706	0.016	1.9	38	23	15
25	16	BCF, IR	735 018 707	0.022	1.9	42	23	19
32	16	BCF, IR	735 018 708	0.038	2.4	46	22	24
40	16	BCF, IR	735 018 709	0.055	2.4	51	21	30
50	16	BCF, IR	735 018 710	0.094	3.0	58	21	37
63	16	BCF, IR	735 018 711	0.151	3.0	66	21	45
75	16	BCF, IR	735 018 712	0.285	3.6	75	23	62
90	16	BCF, IR	735 018 713	0.449	4.3	90	23	77
110	16	BCF, IR	735 018 714	0.736	5.3	110	23	98
140	16	IR	735 018 716	1.584	6.7	140	33	121
160	16	IR	735 018 717	2.258	7.7	160	33	141
200	16	IR	735 018 719	3.798	9.6	200	33	181
225	16	IR	735 018 720	5.726	10.8	220	33	200
*	250	IR	735 018 721	6.536	11.9	254	48	232
*	280	IR	735 018 722	9.182	13.4	283	48	262
*	315	IR	735 018 723	13.031	15.0	321	48	297



### SYGEF Standard bend 90° SDR33/PN10

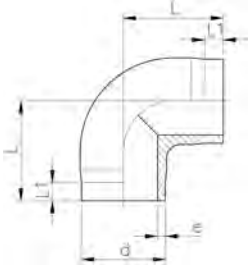
**Model:**

- Material: PVDF
- \*Available as from Q2, 2016

d (mm)	PN (bar)	FM	Code	Weight (kg)	e (mm)	L (mm)	L1 (mm)	R (mm)
90	10	BCF, IR	735 018 513	0.352	2.8	90	23	77
110	10	BCF, IR	735 018 514	0.605	3.4	110	23	98
125	10	IR	735 018 515	0.670	3.9	125	28	112
140	10	IR	735 018 516	1.238	4.3	140	33	121
160	10	IR	735 018 517	1.738	4.9	160	33	141
200	10	IR	735 018 519	2.730	6.2	200	33	181
225	10	IR	735 018 520	4.094	6.9	220	33	200
*	250	IR	735 018 521	4.304	7.7	254	48	232
*	280	IR	735 018 522	6.370	8.6	283	48	262
*	315	IR	735 018 523	9.032	9.7	321	48	297



### SYGEF Standard elbow 90° SDR21/PN16

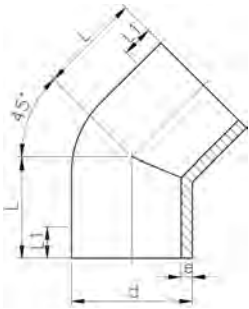


**Model:**

- Material: PVDF

d (mm)	PN (bar)	FM	Code	Weight (kg)	e (mm)	L (mm)	L1 (mm)
20	16	BCF, IR	<b>735 108 606</b>	0.022	1.9	38	25
25	16	BCF, IR	<b>735 108 607</b>	0.030	1.9	42	26
32	16	BCF, IR	<b>735 108 608</b>	0.049	2.4	46	26
40	16	BCF, IR	<b>735 108 609</b>	0.069	2.4	51	28
50	16	BCF, IR	<b>735 108 610</b>	0.119	3.0	58	28
63	16	BCF, IR	<b>735 108 611</b>	0.198	3.0	66	28

### SYGEF Standard elbow 45° SDR21/PN16

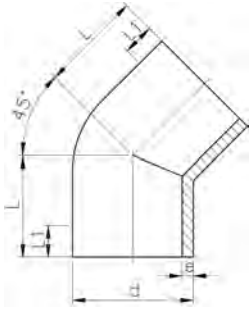


**Model:**

- Material: PVDF
- \*Available as from Q2, 2016

d (mm)	PN (bar)	FM	Code	Weight (kg)	e (mm)	L (mm)	L1 (mm)
20	16	BCF, IR	<b>735 158 606</b>	0.019	1.9	32	25
25	16	BCF, IR	<b>735 158 607</b>	0.025	1.9	34	26
32	16	BCF, IR	<b>735 158 608</b>	0.038	2.4	36	26
40	16	BCF, IR	<b>735 158 609</b>	0.054	2.4	39	28
50	16	BCF, IR	<b>735 158 610</b>	0.084	3.0	42	30
63	16	BCF, IR	<b>735 158 611</b>	0.121	3.0	47	31
75	16	BCF, IR	<b>735 158 612</b>	0.160	3.6	49	32
90	16	BCF, IR	<b>735 158 613</b>	0.294	4.3	57	37
110	16	BCF, IR	<b>735 158 614</b>	0.480	5.3	70	46
140	16	IR	<b>735 158 616</b>	1.000	6.7	88	57
160	16	IR	<b>735 158 617</b>	1.470	7.7	100	62
200	16	IR	<b>735 158 619</b>	2.800	9.6	124	77
225	16	IR	<b>735 158 620</b>	4.000	10.8	140	88
*	250	IR	<b>735 158 621</b>	3.669	11.9	120	47
*	280	IR	<b>735 158 622</b>	5.099	13.4	133	47
*	315	IR	<b>735 158 623</b>	7.162	15.0	147	47

### SYGEF Standard elbow 45° SDR33/PN10



**Model:**

- Material: PVDF
- \*Available as from Q2, 2016

d (mm)	PN (bar)	FM	Code	Weight (kg)	e (mm)	L (mm)	L1 (mm)
90	10	BCF, IR	735 158 513	0.219	2.8	57	37
110	10	BCF, IR	735 158 514	0.379	3.4	70	46
125	10	IR	735 158 515	0.490	3.9	79	51
140	10	IR	735 158 516	0.680	4.3	88	57
160	10	IR	735 158 517	0.990	4.9	100	62
200	10	IR	735 158 519	2.060	6.2	124	77
225	10	IR	735 158 520	2.923	6.9	140	88
*	250	IR	735 158 521	2.402	7.7	120	47
*	280	IR	735 158 522	3.518	8.6	133	47
*	315	IR	735 158 523	4.923	9.7	147	47

### SYGEF Standard T 90° equal SDR21/PN16

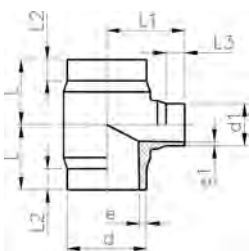


**Model:**

- Material: PVDF
- \*Available as from Q2, 2016

d (mm)	PN (bar)	FM	Code	Weight (kg)	e (mm)	L (mm)	L1 (mm)
20	16	BCF, IR	735 208 606	0.028	1.9	38	25
25	16	BCF, IR	735 208 607	0.040	1.9	42	27
32	16	BCF, IR	735 208 608	0.065	2.4	46	27
40	16	BCF, IR	735 208 609	0.095	2.4	51	28
50	16	BCF, IR	735 208 610	0.156	3.0	58	28
63	16	BCF, IR	735 208 611	0.270	3.0	66	28
75	16	BCF, IR	735 208 612	0.364	3.6	75	32
90	16	BCF, IR	735 208 613	0.628	4.3	90	39
110	16	BCF, IR	735 208 614	1.122	5.3	110	48
140	16	IR	735 208 616	2.600	6.7	140	62
160	16	IR	735 208 617	3.500	7.7	160	71
200	16	IR	735 208 619	6.725	9.6	200	80
225	16	IR	735 208 620	8.986	10.8	220	86
*	250	IR	735 208 621	10.823	11.9	223	70
*	280	IR	735 208 622	16.061	13.4	256	74
*	315	IR	735 208 623	21.422	15.0	274	74

### SYGEF Standard T 90° reduced SDR21/PN16



**Model:**

- Material: PVDF

d - d1 (mm)	PN (bar)	FM	Code	Weight (kg)	e (mm)	e1 (mm)	L1 (mm)	L2 (mm)	L (mm)	L3 (mm)
160 - 90	16	IR	735 208 662	3.200	7.7	4.3	130	60	155	25
160 - 110	16	IR	735 208 661	3.300	7.7	5.3	130	60	155	25
225 - 90	16	IR	735 208 670	6.000	10.8	4.3	160	60	155	25
225 - 110	16	IR	735 208 669	6.100	10.8	5.3	160	60	155	25

### SYGEF Standard T 90° equal SDR33/PN10



**Model:**

- Material: PVDF
- \*Available as from Q2, 2016



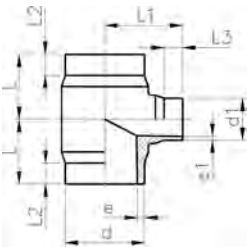
d (mm)	PN (bar)	FM	Code	Weight (kg)	e (mm)	L (mm)	L1 (mm)
90	10	BCF, IR	735 208 513	0.397	2.8	90	39
110	10	BCF, IR	735 208 514	0.714	3.4	110	48
125	10	IR	735 208 515	1.280	3.9	125	56
140	10	IR	735 208 516	1.611	4.3	140	62
160	10	IR	735 208 517	2.385	4.9	160	71
200	10	IR	735 208 519	4.297	6.2	200	80
225	10	IR	735 208 520	6.900	6.9	220	86
*	250	IR	735 208 521	6.939	7.7	223	70
*	280	IR	735 208 522	10.475	8.6	256	74
*	315	IR	735 208 523	13.882	9.7	274	74

### SYGEF Standard T 90° reduced SDR33/PN10



**Model:**

- Material: PVDF



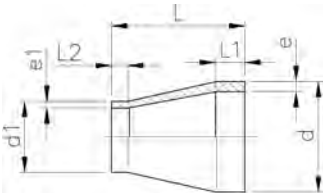
d - d1 (mm)	PN (bar)	FM	Code	Weight (kg)	e (mm)	e1 (mm)	L (mm)	L1 (mm)	L2 (mm)	L3 (mm)
160 - 90	10	IR	735 208 562	2.300	4.9	4.3	155	130	60	25
160 - 110	10	IR	735 208 561	2.300	4.9	5.3	155	130	60	25
225 - 90	10	IR	735 208 570	4.400	6.9	4.3	155	160	60	25
225 - 110	10	IR	735 208 569	4.286	6.9	5.3	155	160	60	25
225 - 160	10	IR	735 208 568	4.239	6.9	4.9	155	170	60	35

### SYGEF Standard reducer SDR21/PN16



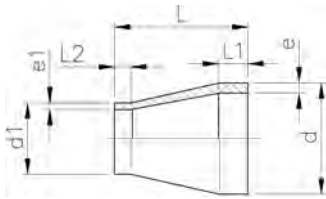
**Model:**

- Material: PVDF



d - d1 (mm)	PN (bar)	FM	Code	Weight (kg)	e (mm)	e1 (mm)	L (mm)	L1 (mm)	L2 (mm)
25 - 20	16	BCF, IR	735 908 637	0.012	1.9	1.9	50	22	22
32 - 20	16	BCF, IR	735 908 642	0.017	2.4	1.9	50	22	22
32 - 25	16	BCF, IR	735 908 641	0.018	2.4	1.9	50	22	22
40 - 20	16	BCF, IR	735 908 648	0.024	2.4	1.9	58	22	24
40 - 25	16	BCF, IR	735 908 647	0.025	2.4	1.9	55	22	24
40 - 32	16	BCF, IR	735 908 646	0.029	2.4	2.4	55	22	24
50 - 25	16	BCF, IR	735 908 654	0.046	3.0	1.9	60	22	25
50 - 32	16	BCF, IR	735 908 653	0.050	3.0	2.4	60	22	25
50 - 40	16	BCF, IR	735 908 652	0.040	3.0	2.4	60	22	25
63 - 32	16	BCF, IR	735 908 660	0.066	3.0	2.4	65	22	25
63 - 40	16	BCF, IR	735 908 659	0.078	3.0	2.4	65	22	25
63 - 50	16	BCF, IR	735 908 658	0.076	3.0	3.0	65	22	25
75 - 40	16	BCF, IR	735 908 666	0.097	3.6	2.4	68	24	25
75 - 50	16	BCF, IR	735 908 665	0.100	3.6	3.0	65	24	25
75 - 63	16	BCF, IR	735 908 664	0.080	3.6	3.0	65	24	25
90 - 63	16	BCF, IR	735 908 671	0.150	4.3	3.0	75	25	30
90 - 75	16	BCF, IR	735 908 670	0.164	4.3	3.6	75	25	35
110 - 63	16	BCF, IR	735 908 678	0.257	5.3	3.0	90	30	30
110 - 75	16	BCF, IR	735 908 677	0.213	5.3	3.6	90	30	35

table continued on the next page



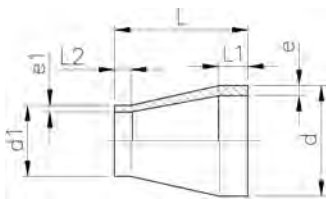
d - d1 (mm)	PN (bar)	FM	Code	Weight (kg)	e (mm)	e1 (mm)	L (mm)	L1 (mm)	L2 (mm)
110 - 90	16	BCF, IR	<b>735 908 676</b>	0.282	5.3	4.3	90	30	35
140 - 110	16	IR	<b>735 908 685</b>	0.450	6.7	5.3	110	40	40
160 - 110	16	IR	<b>735 908 690</b>	0.650	7.7	5.3	160	40	40
160 - 140	16	IR	<b>735 908 688</b>	0.450	7.7	6.7	120	40	40
200 - 160	16	IR	<b>735 908 692</b>	1.340	9.6	7.7	120	40	35
225 - 110	16	IR	<b>735 908 695</b>	1.540	10.8	5.3	160	50	40
225 - 160	16	IR	<b>735 908 696</b>	1.730	10.8	7.7	160	50	40
225 - 200	16	IR	<b>735 908 697</b>	1.980	10.8	9.6	160	55	50

### SYGEF Standard reducer SDR33/PN10



#### Model:

- Material: PVDF



d - d1 (mm)	FM	PN (bar)	SDR	Code	Weight (kg)	e (mm)	e1 (mm)	L (mm)	L1 (mm)	L2 (mm)
90 - 63	BCF, IR	10	33 - 21	<b>735 908 551</b>	0.124	2.8	3.0	75	25	30
110 - 63	BCF, IR	10	33 - 21	<b>735 908 553</b>	0.196	3.4	3.0	90	30	30
110 - 90	BCF, IR	10	33 - 33	<b>735 908 555</b>	0.197	3.4	2.8	90	30	35
125 - 110	IR	10	33 - 21	<b>735 908 580</b>	0.270	3.9	5.3	100	35	40
140 - 110	IR	10	33 - 21	<b>735 908 585</b>	0.385	4.3	5.3	110	40	40
140 - 125	IR	10	33 - 33	<b>735 908 584</b>	0.340	4.3	3.9	110	40	40
160 - 110	IR	10	33 - 33	<b>735 908 561</b>	0.516	4.9	3.4	120	40	40
160 - 110	IR	10	33 - 21	<b>735 908 590</b>	0.573	4.9	5.3	120	40	40
160 - 140	IR	10	33 - 33	<b>735 908 588</b>	0.568	4.9	4.3	120	40	40
200 - 160	IR	10	33 - 33	<b>735 908 592</b>	0.830	6.2	4.9	145	50	40
225 - 110	IR	10	33 - 33	<b>735 908 566</b>	1.120	6.9	3.4	160	55	35
225 - 110	IR	10	33 - 21	<b>735 908 595</b>	0.940	6.9	5.3	160	55	35
225 - 160	IR	10	33 - 33	<b>735 908 596</b>	1.140	6.9	4.9	160	55	40
225 - 200	IR	10	33 - 33	<b>735 908 597</b>	1.200	6.9	6.2	160	55	50

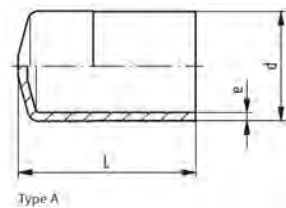
### SYGEF Standard end cap SDR21/PN16



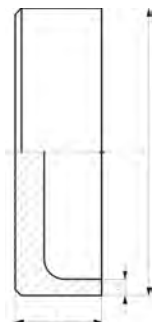
#### Model:

- Material: PVDF
- Type A: injection molded; Type B: machined

\*Available as from Q2, 2016



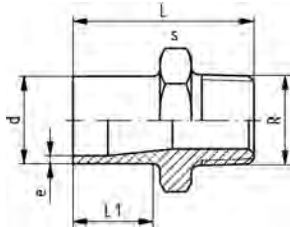
Type A



Type B

d (mm)	PN (bar)	FM	Code	L (mm)	e (mm)	Type
25	16	BCF, IR	<b>735 968 007</b>	47	1.9	A
20	16	BCF, IR	<b>735 968 006</b>	47	1.9	A
32	16	BCF, IR	<b>735 968 008</b>	52	2.4	A
*	40	BCF, IR	<b>735 968 309</b>	30	2.4	B
*	50	BCF, IR	<b>735 968 310</b>	30	3.0	B
*	63	BCF, IR	<b>735 968 311</b>	30	3.0	B
*	75	BCF, IR	<b>735 968 312</b>	30	3.6	B
*	90	BCF, IR	<b>735 968 313</b>	30	4.3	B
*	110	BCF, IR	<b>735 968 314</b>	31	5.3	B
*	140	IR	<b>735 968 316</b>	34	6.7	B
*	160	IR	<b>735 968 317</b>	36	7.7	B
*	200	IR	<b>735 968 319</b>	44	9.6	B
*	225	IR	<b>735 968 320</b>	50	10.8	B

# Transition fittings butt fusion

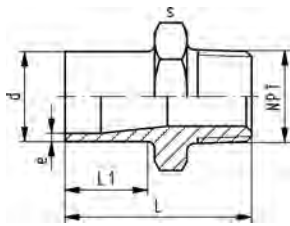


## SYGEF Standard adaptor nipple male thread R SDR21/PN16

### Model:

- Avoid stresses when installing and large changes in temperature
- Material: PVDF
- With butt fusion spigot and BSP tapered male thread
- Connection to plastic thread only
- Do not use thread sealing pastes that are harmful to PVDF

d	R	PN	FM	Code	Weight	e	L	s	L1
(mm)	(inch)	(bar)			(kg)	(mm)	(mm)	(mm)	(mm)
20	¾	16	BCF, IR	<b>735 910 555</b>	0.023	1.9	50	32	26
20	½	16	BCF, IR	<b>735 910 556</b>	0.032	1.9	53	32	26
25	¾	16	BCF, IR	<b>735 910 557</b>	0.032	1.9	55	36	26
32	1	16	BCF, IR	<b>735 910 558</b>	0.051	2.4	57	46	26
40	1 ¼	16	BCF, IR	<b>735 910 559</b>	0.075	2.4	60	55	26
50	1 ½	16	BCF, IR	<b>735 910 560</b>	0.123	3.0	63	65	26
63	2	16	BCF, IR	<b>735 910 561</b>	0.175	3.0	69	75	27

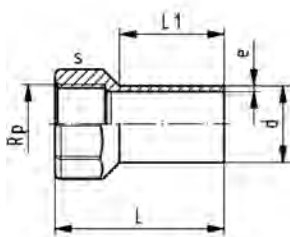


## SYGEF Standard adaptor nipple male thread NPT SDR21/PN16

### Model:

- Material: PVDF
- With butt fusion spigot and tapered male thread
- Avoid stresses when installing and large changes in temperature
- Connection to plastic thread only
- Do not use thread sealing pastes that are harmful to PVDF

d	NPT	PN	FM	Code	Weight	e	L	s	L1
(mm)	(inch)	(bar)			(kg)	(mm)	(mm)	(mm)	(mm)
20	¾	16	BCF, IR	<b>735 914 555</b>	0.023	1.9	50	32	26
20	½	16	BCF, IR	<b>735 914 556</b>	0.030	1.9	53	32	26
25	¾	16	BCF, IR	<b>735 914 557</b>	0.032	1.9	55	36	26
32	1	16	BCF, IR	<b>735 914 558</b>	0.052	2.4	57	46	26
40	1 ¼	16	BCF, IR	<b>735 914 559</b>	0.075	2.4	60	55	26
50	1 ½	16	BCF, IR	<b>735 914 560</b>	0.122	3.0	63	65	26
63	2	16	BCF, IR	<b>735 914 561</b>	0.176	3.0	69	75	27



## SYGEF Standard adaptor socket female thread Rp SDR21/PN16

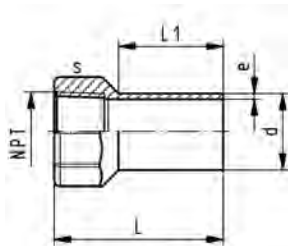
### Model:

- Material: PVDF
- With butt fusion spigot and parallel female thread Rp
- Avoid stresses when installing and large changes in temperature
- Connection to plastic thread only
- Do not use thread sealing pastes that are harmful to PVDF

### Note:

\* Please keep strictly to the GF internal installation preferences

d	Rp	PN	FM	Code	Weight	e	L	s	L1
(mm)	(inch)	(bar)			(kg)	(mm)	(mm)	(mm)	(mm)
20	¾	16	BCF, IR	<b>735 910 585</b>	0.030	1.9	54	32	30
20	½	16	BCF, IR	<b>735 910 586</b>	0.026	1.9	54	32	30
25	¾	16	BCF, IR	<b>735 910 587</b>	0.032	1.9	58	38	30
32	1	16	BCF, IR	<b>735 910 588</b>	0.065	2.4	63	48	30
40	1 ¼	16	BCF, IR	<b>735 910 589</b>	0.092	2.4	67	58	30
50	1 ½	16	BCF, IR	<b>735 910 590</b>	0.108	3.0	67	65	30
*	63	2	16	BCF, IR	<b>735 910 591</b>	0.195	3.0	73	80



### SYGEF Standard adaptor socket female thread NPT SDR21/PN16

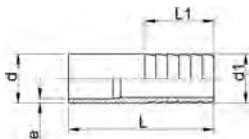
**Model:**

- Material: PVDF
- With butt fusion spigot and taper female thread NPT
- Avoid stresses when installing and large changes in temperature
- Connection to plastic thread only
- Do not use thread sealing pastes that are harmful to PVDF

**Note:**

\* Please keep strictly to the GF internal installation preferences

d	NPT	PN	FM	Code	Weight	e	L	s	L1	
(mm)	(inch)	(bar)			(kg)	(mm)	(mm)	(mm)	(mm)	
20	¾	16	BCF, IR	<b>735 914 585</b>	0.029	1.9	54	32	30	
20	½	16	BCF, IR	<b>735 914 586</b>	0.027	1.9	54	32	30	
25	¾	16	BCF, IR	<b>735 914 587</b>	0.033	1.9	58	38	30	
32	1	16	BCF, IR	<b>735 914 588</b>	0.066	2.4	63	48	30	
40	1 ¼	16	BCF, IR	<b>735 914 589</b>	0.085	2.4	67	58	30	
50	1 ½	16	BCF, IR	<b>735 914 590</b>	0.108	3.0	67	65	30	
*	63	2	16	BCF, IR	<b>735 914 591</b>	0.190	3.0	73	80	30



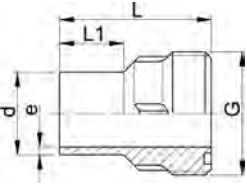
### SYGEF Standard hose adaptor SDR21/PN16

**Model:**

- Material: PVDF

d - d1	PN	FM	Code	Weight	e	L	L1
(mm)	(bar)			(kg)	(mm)	(mm)	(mm)
20 - 20	16	BCF, IR	<b>735 968 606</b>	0.015	1.9	64	27
25 - 25	16	BCF, IR	<b>735 968 607</b>	0.027	1.9	75	36
32 - 32	16	BCF, IR	<b>735 968 608</b>	0.042	2.4	82	36
40 - 40	16	BCF, IR	<b>735 968 609</b>	0.063	2.4	84	42
50 - 50	16	BCF, IR	<b>735 968 610</b>	0.084	3.0	90	48
63 - 60	16	BCF, IR	<b>735 968 611</b>	0.118	3.0	100	50



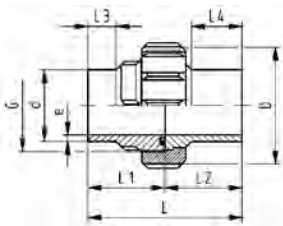


### SYGEF Standard union bush PN16

**Model:**

- Material: PVDF
- Suitable for SYGEF Standard Union Butt Fusion
- d75, d90 and d100 with buttress shaped thread

d (mm)	FM	Code	Weight (kg)	G (inch)	e (mm)	L (mm)	L1 (mm)
20	BCF, IR	<b>735 648 606</b>	0.025	1	1.9	53	25
25	BCF, IR	<b>735 648 607</b>	0.039	1 1/4	1.9	56	25
32	BCF, IR	<b>735 648 608</b>	0.055	1 1/2	2.4	59	25
40	BCF, IR	<b>735 648 609</b>	0.081	2	2.4	62	25
50	BCF, IR	<b>735 648 610</b>	0.110	2 1/4	3.0	65	25
63	BCF, IR	<b>735 648 611</b>	0.158	2 3/4	3.0	68	25
75	BCF, IR	<b>735 648 612</b>	0.277	S 107.5 x 3.6	3.6	66	24
90	BCF, IR	<b>735 648 613</b>	0.275	S 107.5 x 3.6	4.3	65	24
110	BCF, IR	<b>735 648 614</b>	0.343	S 127.5 x 3.6	5.3	65	25

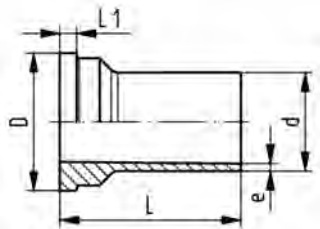


### SYGEF Standard union (FPM black) SDR21/PN16

**Model:**

- Material: PVDF
- d75, d90 and d100 with buttress shaped thread

d (mm)	PN (bar)	Code	Weight (kg)	D (mm)	e (mm)	L (mm)	L1 (mm)	L2 (mm)	L3 (mm)	L4 (mm)	G (inch)
20	16	<b>735 528 606</b>	0.074	43	1.9	106	53	53	25	37	1
25	16	<b>735 528 607</b>	0.110	53	1.9	112	56	56	25	38	1 1/4
32	16	<b>735 528 608</b>	0.153	60	2.4	118	59	59	25	40	1 1/2
40	16	<b>735 528 609</b>	0.220	74	2.4	124	62	62	25	41	2
50	16	<b>735 528 610</b>	0.293	82	3.0	130	65	65	25	43	2 1/4
63	16	<b>735 528 611</b>	0.449	100	3.0	136	68	68	25	44	2 3/4
75	16	<b>735 528 612</b>	0.740	133	3.6	132	66	66	24	34	S107.5x3.6
90	16	<b>735 528 613</b>	0.773	133	4.3	130	65	65	24	48	S107.5x3.6
110	16	<b>735 528 614</b>	1.054	155	5.3	130	65	65	25	45	S127.5x3.6

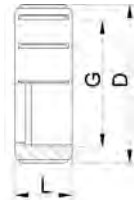


### SYGEF Standard union end SDR21/PN16

**Model:**

- Material: PVDF
- Suitable for SYGEF Standard Union Butt Fusion

d (mm)	PN (bar)	FM	Code	Weight (kg)	D (mm)	e (mm)	L (mm)	L1 (mm)
20	16	BCF, IR	<b>735 608 606</b>	0.020	30	1.9	53	5
25	16	BCF, IR	<b>735 608 607</b>	0.030	39	1.9	56	5
32	16	BCF, IR	<b>735 608 608</b>	0.044	45	2.4	59	6
40	16	BCF, IR	<b>735 608 609</b>	0.069	57	2.4	62	6
50	16	BCF, IR	<b>735 608 610</b>	0.082	63	3.0	65	7
63	16	BCF, IR	<b>735 608 611</b>	0.127	78	3.0	68	8
75	16	BCF, IR	<b>735 608 612</b>	0.209	101	3.6	66	9
90	16	BCF, IR	<b>735 608 613</b>	0.187	101	4.3	65	9
110	16	BCF, IR	<b>735 608 614</b>	0.263	121	5.3	65	10



## SYGEF Standard union nut PN16

### Model:

- Material: PVDF
- d75, d90 and d100 with buttress shaped thread

### Note:

For the dimensions d75-110 please see instructions for the installation

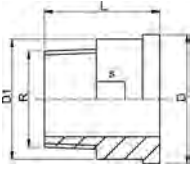
Socket Fusion d (mm)	Butt Fusion d (mm)	PN (bar)	Code	Weight (kg)	D (mm)	G (inch)	L (mm)
16	16	16	<b>735 690 405</b>	0.011	35	3/4	21
20	20	16	<b>735 690 406</b>	0.021	43	1	22
25	25	16	<b>735 690 407</b>	0.030	53	1 1/4	24
32	32	16	<b>735 690 408</b>	0.035	60	1 1/2	26
40	40	16	<b>735 690 409</b>	0.065	74	2	29
50	50	16	<b>735 690 410</b>	0.093	82	2 1/4	33
63	63	16	<b>735 690 411</b>	0.144	100	2 3/4	35
	75 - 90	16	<b>735 690 422</b>	0.289	133		40
	110	16	<b>735 690 423</b>	0.403	155		42



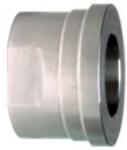
### Union end stainless steel R

**Model:**

- Material: stainless steel 1.4404 (316L)
- Taper male thread R



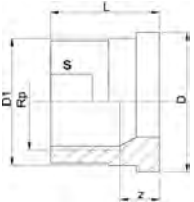
R (inch)	PN (bar)	Code	Weight (kg)	D (mm)	D1 (mm)	L (mm)	s (mm)
3/8	16	<b>724 600 705</b>	0.052	24	22	30	19
1/2	16	<b>724 600 706</b>	0.083	30	28	34	24
3/4	16	<b>724 600 707</b>	0.125	39	36	36	32
1	16	<b>724 600 708</b>	0.189	45	42	40	37
1 1/4	16	<b>724 600 709</b>	0.356	57	53	46	48
1 1/2	16	<b>724 600 710</b>	0.407	63	59	48	54
2	16	<b>724 600 711</b>	0.668	78	74	55	69



### Union end stainless steel Rp

**Model:**

- Material: stainless steel 1.4404 (316L)
- Parallel female thread Rp



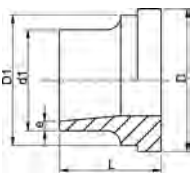
Rp (inch)	PN (bar)	Code	Weight (kg)	z (mm)	D (mm)	D1 (mm)	L (mm)	s (mm)
3/8	16	<b>724 600 655</b>	0.030	9	24	22	19	19
1/2	16	<b>724 600 656</b>	0.060	11	30	28	24	24
3/4	16	<b>724 600 657</b>	0.092	11	39	36	26	29
1	16	<b>724 600 658</b>	0.137	12	45	42	29	36
1 1/4	16	<b>724 600 659</b>	0.226	14	57	53	33	45
1 1/2	16	<b>724 600 660</b>	0.314	15	63	59	34	54
2	16	<b>724 600 661</b>	0.438	15	78	74	39	63



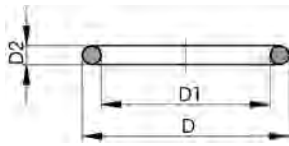
### Union end stainless steel Welding end

**Model:**

- Material: stainless steel 1.4404 (316L)



d1 (mm)	d (mm)	PN (bar)	Code	Weight (kg)	D (mm)	D1 (mm)	L (mm)	e (mm)
17	16	16	<b>724 605 505</b>	0.029	24	22	18	1.6
21	20	16	<b>724 605 506</b>	0.046	30	28	22	2.0
26	25	16	<b>724 605 507</b>	0.080	39	36	23	2.0
33	32	16	<b>724 605 508</b>	0.112	45	42	26	2.0
42	40	16	<b>724 605 509</b>	0.188	57	53	26	2.0
48	50	16	<b>724 605 510</b>	0.222	63	59	28	2.0
60	63	16	<b>724 605 511</b>	0.361	78	74	32	2.6

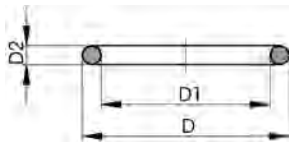


### O-Ring Gaskets

**Model:**

- For unions and adaptor unions
- Hardness approx. 75° shore
- FPM minimum temperature -20°C

d (mm)	DN (mm)	FFPM Code	Weight (kg)	D1 (mm)	D2 (mm)	D (mm)
20	15	<b>700 245 481</b>	0.002	20	4	27
25	20	<b>700 245 482</b>	0.002	28	4	35
32	25	<b>700 245 483</b>	0.002	33	4	40
40	32	<b>700 245 484</b>	0.006	41	5	51
50	40	<b>700 245 485</b>	0.007	47	5	58
63	50	<b>700 245 486</b>	0.010	60	5	70

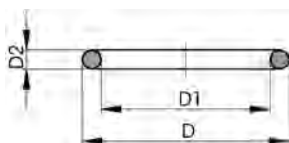


### O-ring black

**Model:**

- Hardness approx. 65° Shore
- FPM minimum temperature -15°C

d (mm)	DN (mm)	FPM Code	Weight (kg)	D (mm)	D1 (mm)	D2 (mm)
16	10	<b>749 410 005</b>	0.002	21	16	2.62
20	15	<b>749 410 006</b>	0.002	27	20	3.53
25	20	<b>749 410 007</b>	0.002	35	28	3.53
32	25	<b>749 410 008</b>	0.002	40	33	3.53
40	32	<b>749 410 009</b>	0.007	51	41	5.34
50	40	<b>749 410 010</b>	0.060	58	47	5.34
63	50	<b>749 410 011</b>	0.003	70	60	5.34



### O-ring black d75 - d110

**Model:**

- Hardness approx. 65° Shore
- FPM minimum temperature -15°C

d-d (mm)	DN (mm)	Code	Weight (kg)	D (mm)	D1 (mm)	D2 (mm)	closest inch (inch)
75	50	<b>749 410 013</b>	0.011	80	69	5.34	2
75 - 90	65	<b>749 410 014</b>	0.012	93	82	5.34	2 ½
90 - 110	80	<b>749 410 015</b>	0.015	112	101	5.34	3

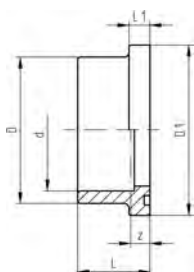
# Flange Adaptors, Flanges and Gaskets for Butt Fusion



## SYGEF Standard flange adaptor with groove PN16

### Model:

- Material: PVDF
- Jointing face: With O-ring groove
- Counterpart: flange adaptor metric or ANSI
- Gasket: O-ring EPDM No. 48 41 01, FPM No. 49 41 01



d	DN	PN	Code	Weight	D	D1	L	L1	z
(mm)	(mm)	(bar)		(kg)	(mm)	(mm)	(mm)	(mm)	(mm)
20	15	16	<b>735 810 106</b>	0.015	27	34	22	9	8
25	20	16	<b>735 810 107</b>	0.022	33	41	24	10	8
32	25	16	<b>735 810 108</b>	0.035	41	50	26	10	8
40	32	16	<b>735 810 109</b>	0.055	50	61	30	13	10
50	40	16	<b>735 810 110</b>	0.080	61	73	33	13	10
63	50	16	<b>735 810 111</b>	0.134	76	90	37	14	10

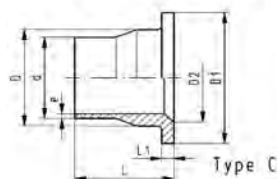
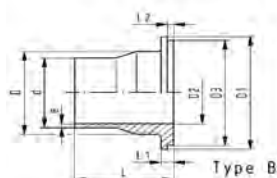
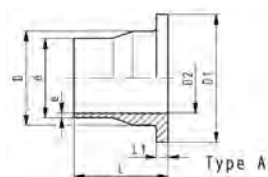
## SYGEF Standard flange adaptor Jointing face serrated SDR21/PN16

### Model:

- Material: PVDF



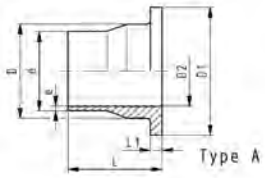
d	DN	PN	FM	Code	Weight
(mm)	(mm)	(bar)			(kg)
20	15	16	BCF, IR	<b>735 798 806</b>	0.029
25	20	16	BCF, IR	<b>735 798 807</b>	0.047
32	25	16	BCF, IR	<b>735 798 808</b>	0.080
40	32	16	BCF, IR	<b>735 798 809</b>	0.110
50	40	16	BCF, IR	<b>735 798 810</b>	0.146
63	50	16	BCF, IR	<b>735 798 811</b>	0.215
75	65	16	BCF, IR	<b>735 798 812</b>	0.325
90	80	16	BCF, IR	<b>735 798 813</b>	0.397
110	100	16	BCF, IR	<b>735 798 814</b>	0.573
140	125	16	IR	<b>735 798 816</b>	0.906
160	150	16	IR	<b>735 798 817</b>	1.200
200	200	16	IR	<b>735 798 819</b>	1.900
225	200	16	IR	<b>735 798 820</b>	2.000
250	250	16	IR	<b>735 798 821</b>	3.541
280	250	16	IR	<b>735 798 822</b>	3.583
315	300	16	IR	<b>735 798 823</b>	5.040



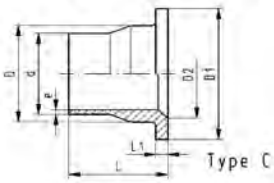
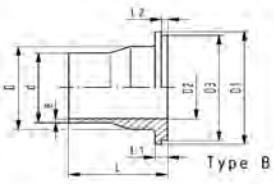
d	e	D	D1	D2	D3	L	L1	L2	Type
(mm)	(mm)	(mm)	(mm)	(mm)	(mm)	(mm)	(mm)	(mm)	
20	1.9	26	45	15		54	6		A
25	1.9	32	58	20	54	56	7	4	B
32	2.4	40	68	26	63	58	7	4	B
40	2.4	49	78	34	73	68	8	4	B
50	3.0	60	88	43	82	69	8	4	B
63	3.0	75	102	56		72	9		A
75	3.6	89	122	66		80	10		A
90	4.3	105	138	78	133	81	12	4	B
110	5.3	125	158	100		81	13		C
140	6.7	155	188	127		90	16		C
160	7.7	175	212	151		93	17		C
200	9.6	232	268	207		102	22		C

table continued on the next page





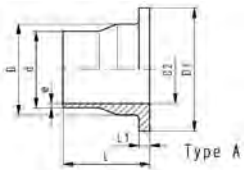
d	e	D	D1	D2	D3	L	L1	L2	Type
(mm)	(mm)	(mm)	(mm)	(mm)	(mm)	(mm)	(mm)	(mm)	
225	10.8	235	268	207		102	22		C
250	11.9	285	320	249		122	25		C
280	13.4	291	320	249		122	25		C
315	15.0	335	320	370		124	28		C



### SYGEF Standard flange adaptor ANSI Jointing face serrated SDR21/PN16

**Model:**

- Material: PVDF
- Other dimensions identical with metric version



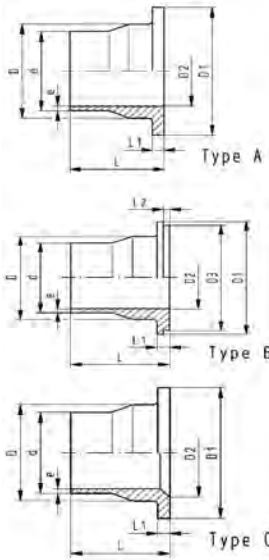
d	d	PN	FM	Code	Weight	L1	D2	D1	L	D	e	Type
(inch)	(mm)	(bar)			(kg)	(mm)	(mm)	(mm)	(mm)	(mm)	(mm)	
¾	25	16	BCF, IR	<b>735 798 857</b>	0.043	7	20	54	56	32	1.9	A
1	32	16	BCF, IR	<b>735 798 858</b>	0.063	7	26	63	58	40	2.4	A
1 ¼	40	16	BCF, IR	<b>735 798 859</b>	0.105	8	34	73	68	49	2.4	A
1 ½	50	16	BCF, IR	<b>735 798 860</b>	0.140	8	43	82	69	60	3.0	A
3	90	16	BCF, IR	<b>735 798 861</b>	0.389	12	78	133	81	105	4.3	A



**SYGEF Standard flange adaptor**  
**Jointing face serrated SDR33/PN10**

**Model:**

- Material: PVDF



d (mm)	DN (mm)	PN (bar)	FM	Code	Weight (kg)
90	80	10	BCF, IR	<b>735 798 863</b>	0.380
110	100	10	BCF, IR	<b>735 798 864</b>	0.493
125	100	10	IR	<b>735 798 565</b>	0.453
140	125	10	IR	<b>735 798 866</b>	0.733
160	150	10	IR	<b>735 798 867</b>	0.972
200	200	10	IR	<b>735 798 869</b>	1.682
225	200	10	IR	<b>735 798 870</b>	1.687
250	250	10	IR	<b>735 798 871</b>	2.730
280	250	10	IR	<b>735 798 872</b>	2.715
315	300	10	IR	<b>735 798 873</b>	3.657

d (mm)	e (mm)	D (mm)	D1 (mm)	D2 (mm)	D3 (mm)	L (mm)	L1 (mm)	L2 (mm)	Type
90	2.8	105	138	78	133	81	12	4	B
110	3.4	125	158	100		81	13		A
125	3.9	132	158	114		82	14		A
140	4.3	155	188	127		90	16		A
160	4.9	175	212	151		93	17		C
200	6.2	232	268	207		102	22		C
225	6.9	235	268	207		102	22		A
250	7.7	285	320	249		120	22		C
280	8.6	291	320	249		120	22		A
315	9.7	335	370	300		120	22		C



### Backing flange PP-V metric For butt fusion systems metric

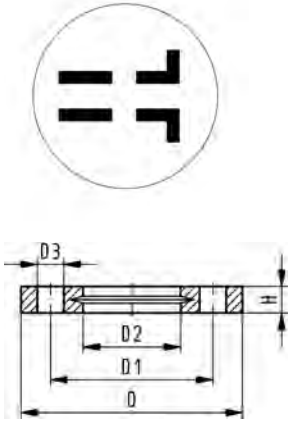
**Model:**

- Full-plastic flange PP-GF (30 % glass-fibre reinforced)
- Connecting dimension: ISO 7005, EN 1092, BS 4504, DIN 2501
- **Bolt circle PN 10**

AL: number of holes

<sup>1)</sup> Suitable for socket- and butt fusion systems

\* Combined version, metric-ANSI



	d (mm)	DN (mm)	PN (bar)	Code	Weight (kg)	D (mm)	D1 (mm)	D2 (mm)	D3 (mm)	H (mm)	AL	SC
1	20	15	16	<b>727 700 406</b>	0.093	95	65	28	14	16	4	M12
1	25	20	16	<b>727 700 407</b>	0.120	105	75	34	14	17	4	M12
1	32	25	16	<b>727 700 408</b>	0.151	115	85	42	14	18	4	M12
1	40	32	16	<b>727 700 409</b>	0.244	140	100	51	18	20	4	M16
1	50	40	16	<b>727 700 410</b>	0.297	150	110	62	18	22	4	M16
1	63	50	16	<b>727 700 411</b>	0.362	165	125	78	18	24	4	M16
1	75	65	16	<b>727 700 412</b>	0.487	185	145	92	18	26	4	M16
	90	80	16	<b>727 700 513</b>	0.544	200	160	108	18	27	8	M16
	110	100	16	<b>727 700 514</b>	0.643	220	180	128	18	28	8	M16
	125	100	16	<b>727 700 515</b>	0.635	220	180	135	18	28	8	M16
	140	125	16	<b>727 700 516</b>	0.842	250	210	158	18	30	8	M16
*	160	150	16	<b>727 700 517</b>	1.200	285	241	178	22	32	8	M20
	180	150	16	<b>727 700 518</b>	1.200	285	240	188	22	32	8	M20
*	200	200	16	<b>727 700 519</b>	1.400	340	297	235	22	34	8	M20
*	225	200	16	<b>727 700 520</b>	1.400	340	297	238	22	34	8	M20
	250	250	16	<b>727 700 521</b>	2.052	395	350	288	22	38	12	M20
	280	250	16	<b>727 700 522</b>	1.700	395	350	294	22	38	12	M20
	315	300	16	<b>727 700 523</b>	2.400	445	400	338	22	42	12	M20
	355	350	10	<b>727 700 524</b>	4.440	515	460	376	22	46	16	M20
	400	400	10	<b>727 700 525</b>	5.624	574	515	430	26	50	16	M24

### Backing flange PP-V Inch ANSI For butt fusion systems metric

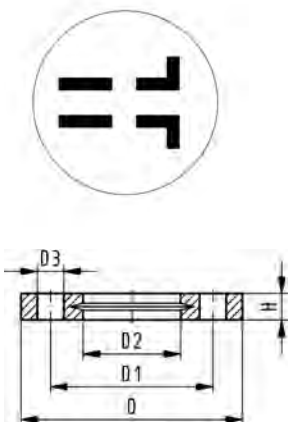
**Model:**

- Full-plastic flange PP-GF (30 % glass-fibre reinforced)
- Connecting dimension: ANSI/ASME B 16.5 class 150, ASTM D 4024, BS 1560, BS EN 1759
- **Bolt circle class 150**
- Special flange adapter ANSI for d25 - d50 and d90 required

AL: number of holes

<sup>1)</sup> Suitable for socket- and butt fusion systems

\* Combined version, metric-ANSI



	Size (inch)	d (mm)	DN (mm)	PN (bar)	Code	Weight (kg)	D (mm)	D1 (mm)	D2 (mm)	D3 (mm)	H (mm)	AL	SC
1	½	20	15	16	<b>727 701 406</b>	0.091	95	60	28	16	16	4	M12
1	¾	25	20	16	<b>727 701 407</b>	0.120	105	70	34	16	17	4	M12
1	1	32	25	16	<b>727 701 408</b>	0.147	115	79	42	16	18	4	M12
1	1 ¼	40	32	16	<b>727 701 409</b>	0.246	140	89	51	16	20	4	M16
1	1 ½	50	40	16	<b>727 701 410</b>	0.299	150	98	62	16	22	4	M16
1	2	63	50	16	<b>727 701 411</b>	0.361	165	121	78	19	24	4	M16
1	2 ½	75	65	16	<b>727 701 412</b>	0.492	185	140	92	19	26	4	M16
	3	90	80	16	<b>727 701 513</b>	0.607	200	152	108	19	27	4	M16
	4	110	100	16	<b>727 701 514</b>	0.736	229	190	128	19	28	8	M16
*	6	160	150	16	<b>727 700 517</b>	1.200	285	241	178	22	32	8	M20
*	8	200	200	16	<b>727 700 519</b>	1.400	340	297	235	22	34	8	M20
*	8	225	200	16	<b>727 700 520</b>	1.400	340	297	238	22	34	8	M20
	10	250	250	16	<b>727 701 521</b>	2.241	406	362	288	26	38	12	M20
	10	280	250	16	<b>727 701 522</b>	2.173	406	362	294	26	38	12	M20
	12	315	300	16	<b>727 701 523</b>	3.627	483	432	338	26	42	12	M20



### Backing flange PP-Steel For butt fusion systems metric

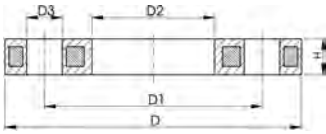
**Model:**

- Bolt circle PN 10
- Material: PP (30% glass-fibre reinforced) with steel ring
- UV-resistant. Applicable for outside applications
- Connecting dimension: ISO 7005, EN 1092, BS 4504, DIN 2501

AL: number of holes

\*Combined version, bolt circle metric - ANSI

\*\*Galvanized steel; suitable for underground laying



d (mm)	d (inch)	DN (mm)	PN (bar)	Code	Weight (kg)	D (mm)	D1 (mm)	D2 (mm)	D3 (mm)	H (mm)	AL	SC	
20		15	16	<b>727 700 206</b>	0.216	95	65	28	14	12	4	M12	
25		20	16	<b>727 700 207</b>	0.279	105	75	34	14	12	4	M12	
32		25	16	<b>727 700 208</b>	0.429	115	85	42	14	16	4	M12	
40		32	16	<b>727 700 209</b>	0.621	140	100	51	18	16	4	M16	
50		40	16	<b>727 700 210</b>	0.722	150	110	62	18	20	4	M16	
63		50	16	<b>727 700 211</b>	1.084	165	125	78	18	20	4	M16	
75		65	16	<b>727 700 212</b>	1.349	185	145	92	18	20	4	M16	
90		80	16	<b>727 700 313</b>	1.390	200	160	108	18	20	8	M16	
110		100	16	<b>727 700 314</b>	1.407	220	180	128	18	20	8	M16	
125		100	16	<b>727 700 315</b>	1.408	220	180	135	18	20	8	M16	
140		125	16	<b>727 700 716</b>	2.318	250	210	158	18	26	8	M16	
*	160	6	150	16	<b>727 700 717</b>	3.491	285	241	178	22	26	8	M20
	180		150	16	<b>727 700 718</b>	3.108	285	241	188	22	26	8	M20
*	200	8	200	16	<b>727 700 719</b>	5.600	340	297	235	22	29	8	M20
*	225	8	200	16	<b>727 700 720</b>	5.533	340	297	238	22	29	8	M20
	250		250	16	<b>727 700 721</b>	6.632	395	350	288	22	32	12	M20
	280		250	16	<b>727 700 722</b>	6.573	395	350	294	22	32	12	M20
	315		300	16	<b>727 700 723</b>	7.903	445	400	338	22	36	12	M20
	355		350	16	<b>727 700 724</b>	14.587	515	460	376	23	42	16	M20
	400		400	16	<b>727 700 725</b>	20.034	574	515	430	26	42	16	M24
**	450		450	10	<b>724 705 026</b>	38.000	615	565	470	26	36	20	M24



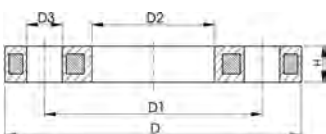
### Backing flange PP-Steel Inch/ANSI For butt fusion systems metric

**Model:**

- Material: PP (30% glass-fibre reinforced) with steel ring
- Connecting dimension: ANSI/ASME B 16.5 class 150, ASTM D 4024, BS 1560, BS EN 1759
- Bolt circle class 150
- Special flange adapter ANSI for d25 - d50 and d90 required

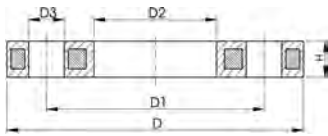
\*Combined version, bolt circle metric - ANSI

AL: number of holes

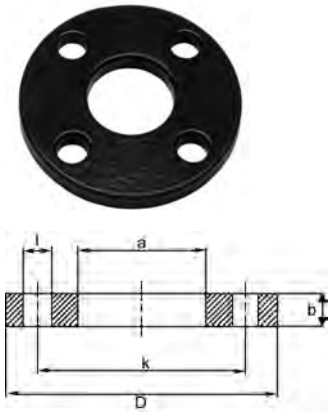


d (inch)	d (mm)	DN (mm)	PN (bar)	Code	Weight (kg)	D (mm)	D1 (mm)	D2 (mm)	D3 (mm)	H (mm)	AL	SC	
½	20	15	16	<b>727 701 206</b>	0.213	95	60	28	16	12	4	M12	
¾	25	20	16	<b>727 701 207</b>	0.260	105	70	34	16	12	4	M12	
1	32	25	16	<b>727 701 208</b>	0.416	115	79	42	16	16	4	M12	
1 ¼	40	32	16	<b>727 701 209</b>	0.730	140	89	51	16	16	4	M16	
1 ½	50	40	16	<b>727 701 210</b>	0.809	150	98	62	16	18	4	M16	
2	63	50	16	<b>727 701 211</b>	0.866	165	121	78	19	18	4	M16	
2 ½	75	65	16	<b>727 701 212</b>	1.117	185	140	92	19	18	4	M16	
3	90	80	16	<b>727 701 313</b>	1.499	200	152	108	19	20	4	M16	
4	110	100	16	<b>727 701 314</b>	1.739	229	190	128	19	20	8	M16	
*	6	160	150	16	<b>727 700 717</b>	3.491	285	241	178	22	26	8	M20
*	8	200	200	16	<b>727 700 719</b>	5.600	340	297	235	22	29	8	M20
*	8	225	200	16	<b>727 700 720</b>	5.533	340	297	238	22	29	8	M20
	10	250/280	250	10	<b>727 701 321</b>	6.000	406	362	293	25	30	12	M24

table continued on the next page



d (inch)	d (mm)	DN (mm)	PN (bar)	Code	Weight (kg)	D (mm)	D1 (mm)	D2 (mm)	D3 (mm)	H (mm)	AL	SC
12	315	300	10	<b>727 701 322</b>	11.800	483	432	338	25	34	12	M24
14	355	350	10	<b>727 701 323</b>	17.900	540	476	376	29	42	12	M27
16	400	400	10	<b>727 701 324</b>	24.500	597	539	429	29	44	16	M27
20	450/500	500	10	<b>727 701 325</b>	33.600	712	635	540	32	53	20	M30

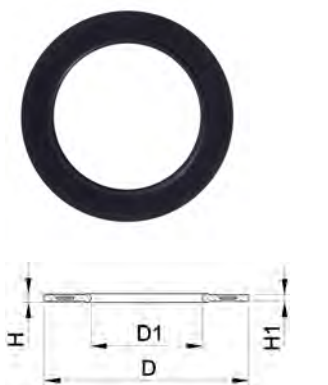


### PVDF Coated Steel for Butt Fusion Systems Inch/ANSI Flange Ring blue coated steel

**Material: PVDF blue coated steel**

Bolt holes drilled in accordance with ANSI B16.5, Class 150 pattern

d (mm)	Size (inch)	Code	D (inch)	a (inch)	k (inch)	b (inch)	l (inch)	Bolt Holes
20	¾	<b>155 701 806</b>	3.50	1.10	2.36	0.28	0.63	4
25	1	<b>155 701 807</b>	3.86	1.34	2.76	0.28	0.63	4
32	1 ¼	<b>155 701 808</b>	4.25	1.65	3.11	0.28	0.63	4
40	1 ½	<b>155 701 809</b>	4.61	2.01	3.50	0.32	0.63	4
50	1 ¾	<b>155 701 810</b>	5.00	2.44	3.86	0.32	0.63	4
63	2	<b>155 701 811</b>	5.98	3.07	4.76	0.39	0.75	4
75	2 ½	<b>155 701 812</b>	7.01	3.62	5.51	0.39	0.75	4
90	3	<b>155 701 813</b>	7.48	4.33	5.98	0.39	0.75	4
110	4	<b>155 703 814</b>	9.02	5.24	7.48	0.39	0.75	8
160	6	<b>155 701 917</b>	10.98	7.05	9.48	0.50	0.88	8
200	8	<b>155 701 919</b>	13.50	9.30	11.73	0.63	0.88	8
225	9	<b>155 701 920</b>	13.50	9.42	11.73	0.63	0.88	8
250	10	<b>155 701 921</b>	16.00	11.35	14.25	0.88	0.88	12
315	12	<b>155 701 923</b>	19.00	13.31	17.00	1.00	1.00	12
355	14	<b>155 701 924</b>	21.00	14.80	18.75	1.00	1.00	12
400	16	<b>155 701 925</b>	23.50	16.93	21.25	1.13	1.13	16



### Profile Flange Gasket, metric EPDM / FPM

**Model:**

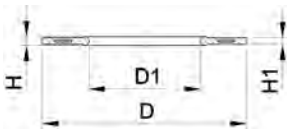
- For all metric GF Flange Adaptors
- Profile Gasket with carbon steel insert (type G-ST-P/K)
- Hardness: 70° Shore EPDM, 75° Shore FPM
- EPDM: approved acc. to DVGW W 270, KTW recommendation
- Centering on the inner diameter of the screw crown
- material steel insert: carbon steel

di FA are the suitable inner diameters of flanges adaptors

d (mm)	PN (bar)	DN (mm)	EPDM Code	FPM Code	Weight (kg)	D (mm)	D1 (mm)	H (mm)	H1 (mm)	di FA (mm)
16	16	10	<b>748 440 705</b>	<b>749 440 705</b>	0.012	46	16	4	3	6 - 16
20	16	15	<b>748 440 706</b>	<b>749 440 706</b>	0.013	51	20	4	3	10 - 20
25	16	20	<b>748 440 707</b>	<b>749 440 707</b>	0.014	61	22	4	3	12 - 22
32	16	25	<b>748 440 708</b>	<b>749 440 708</b>	0.019	71	28	4	3	18 - 28
40	16	32	<b>748 440 709</b>	<b>749 440 709</b>	0.026	82	40	4	3	30 - 40
50	16	40	<b>748 440 710</b>	<b>749 440 710</b>	0.039	92	46	4	3	36 - 46
63	16	50	<b>748 440 711</b>	<b>749 440 711</b>	0.050	107	58	5	4	48 - 58
75	16	65	<b>748 440 712</b>	<b>749 440 712</b>	0.082	127	69	5	4	59 - 69
90	16	80	<b>748 440 713</b>	<b>749 440 713</b>	0.083	142	84	5	4	73 - 84
110	16	100	<b>748 440 714</b>	<b>749 440 714</b>	0.127	162	104	6	5	94 - 104
125	16	100	<b>748 440 715</b>	<b>749 440 715</b>	0.105	162	123	6	5	113 - 123
140	16	125	<b>748 440 716</b>	<b>749 440 716</b>	0.173	192	137	6	5	127 - 137
160 - 180	16	150	<b>748 440 717</b>	<b>749 440 717</b>	0.207	218	160	8	6	150 - 160
200	16	200	<b>748 440 719</b>	<b>749 440 719</b>	0.263	273	203	8	6	192 - 203
225	16	200	<b>748 440 720</b>	<b>749 440 720</b>	0.255	273	220	8	6	207 - 220
250	16	250	<b>748 440 721</b>	<b>749 440 721</b>	0.462	328	252	8	6	238 - 252
280	16	250	<b>748 440 722</b>	<b>749 440 722</b>	0.323	328	274	8	6	264 - 274

table continued on the next page



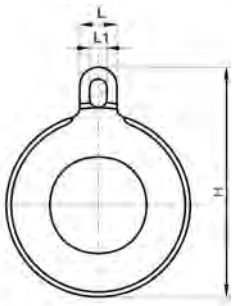


d (mm)	PN (bar)	DN (mm)	EPDM Code	FPM Code	Weight (kg)	D (mm)	D1 (mm)	H (mm)	H1 (mm)	di FA (mm)
315	16	300	<b>748 440 723</b>	<b>749 440 723</b>	0.549	378	306	8	6	296 - 306
355	16	350	<b>748 440 724</b>	<b>749 440 724</b>	0.870	438	355	10	7	340 - 355
400	16	400	<b>748 440 725</b>	<b>749 440 725</b>	1.088	489	400	10	7	385 - 400
450	16	500	<b>748 440 726</b>	<b>749 440 726</b>	0.718	594	403	10	7	393 - 403

### SYGEF Plus Gasket

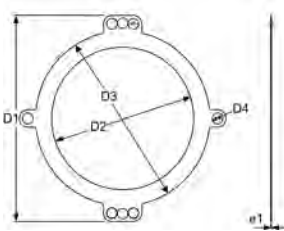
#### Model:

- For Use with Steel Flange Rings
- \* Non-Returnable/Non-Cancelable



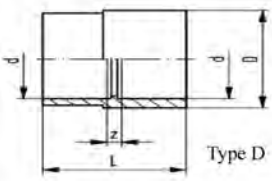
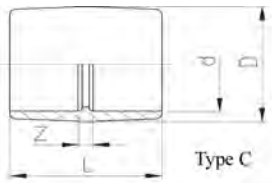
d (mm)	Pipe Size (inch)	Code	Weight (lb)	H (inch)	L (inch)	L1 (inch)
25	3/4	<b>731 400 753</b>	0.002	2.99	0.79	0.51
32	1	<b>731 400 755</b>	0.053	3.58	0.98	0.63
40	1 1/4	<b>731 400 757</b>	0.079	3.98	0.98	0.63
50	1 1/2	<b>731 400 759</b>	0.084	4.33	0.98	0.63
63	2	<b>731 400 760</b>	0.132	5.04	0.98	0.63
75	2 1/2	<b>731 400 761</b>	0.179	5.83	0.98	0.63
90	3	<b>731 400 763</b>	0.132	6.34	0.98	0.63
110	4	<b>731 400 764</b>	0.220	7.44	0.98	0.63
160	6	<b>731 400 667</b>	0.309	9.61	1.18	0.79
200/225	8/9	<b>731 400 670</b>	0.441	11.81	1.18	0.79
250	10	<b>731 400 671</b>	0.002	14.17	1.38	0.87
315	12	<b>731 400 672</b>	0.650	16.50	1.38	0.87

### SYGEF Plus 355-450 ePTFE Gasket ANSI



d (mm)	Pipe Size (inch)	Code	Weight (lb)	D1 (mm)	D2 (mm)	D3 (mm)	D4 (mm)	e1 (mm)
355	14	<b>155 400 674</b>	0.661	524	329	430	48	3.2
400	16	<b>155 400 675</b>	0.882	587	396	482	51	3.2
450	18	<b>155 400 676</b>	1.102	625	432	530	51	3.2

# Socket fusion fittings

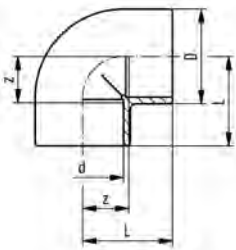


## SYGEF Standard socket equal PN16

### Model:

- Material: PVDF
- d25 - d50: combination type reducing bush/socket equal

d (mm)	D-d (mm)	PN (bar)	Code	Weight (kg)	D (mm)	L (mm)	z (mm)	Type
16	-	16	<b>735 910 105</b>	0.020	26	33	7	C
20	-	16	<b>735 910 106</b>	0.013	27	35	7	C
25	32 - 25	16	<b>735 910 107</b>	0.023	32	39	7	C
32	40 - 32	16	<b>735 910 108</b>	0.038	40	43	7	C
40	50 - 40	16	<b>735 910 109</b>	0.062	50	48	8	D
50	63 - 50	16	<b>735 910 110</b>	0.102	63	54	8	D
63	-	16	<b>735 910 111</b>	0.146	75	62	8	C

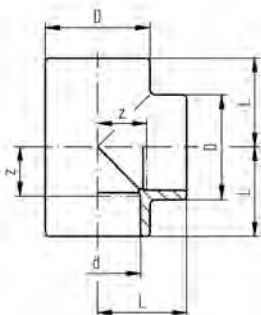


## SYGEF Standard elbow 90° PN16

### Model:

- Material: PVDF

d (mm)	PN (bar)	Code	Weight (kg)	D (mm)	L (mm)	z (mm)
16	16	<b>735 100 105</b>	0.030	26	25	12
20	16	<b>735 100 106</b>	0.026	27	28	14
25	16	<b>735 100 107</b>	0.039	32	32	16
32	16	<b>735 100 108</b>	0.066	40	38	20
40	16	<b>735 100 109</b>	0.103	49	44	24
50	16	<b>735 100 110</b>	0.164	60	51	28
63	16	<b>735 100 111</b>	0.287	75	62	35



## SYGEF Standard T 90° equal PN16

### Model:

- Material: PVDF

d (mm)	PN (bar)	Code	Weight (kg)	D (mm)	L (mm)	z (mm)
16	16	<b>735 200 105</b>	0.039	26	25	12
20	16	<b>735 200 106</b>	0.034	27	28	14
25	16	<b>735 200 107</b>	0.052	32	32	16
32	16	<b>735 200 108</b>	0.092	40	38	20
40	16	<b>735 200 109</b>	0.136	49	44	24
50	16	<b>735 200 110</b>	0.210	60	51	28
63	16	<b>735 200 111</b>	0.371	75	62	35



### SYGEF Standard elbow 45° PN16

**Model:**

- Material: PVDF



d (mm)	PN (bar)	Code	Weight (kg)	D (mm)	L (mm)	z (mm)
16	16	<b>735 150 105</b>	0.017	23	20	7
20	16	<b>735 150 106</b>	0.020	27	21	7
25	16	<b>735 150 107</b>	0.032	32	24	8
32	16	<b>735 150 108</b>	0.050	40	28	10
40	16	<b>735 150 109</b>	0.081	49	33	13
50	16	<b>735 150 110</b>	0.119	60	36	13
63	16	<b>735 150 111</b>	0.211	75	43	16



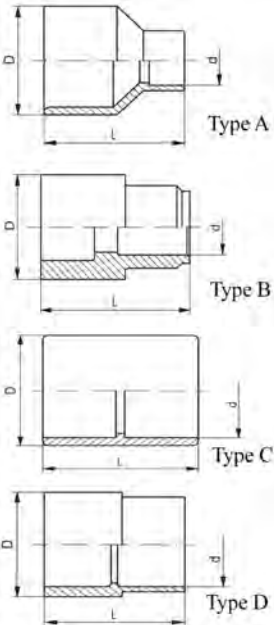
### SYGEF Standard reducing bush PN16

**Model:**

- Material: PVDF

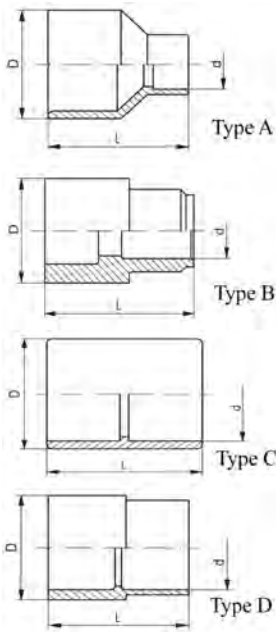
**Attention:**

- to determine the z-measure please consider the overview of functionality



D-d (mm)	PN (bar)	Code	Weight (kg)	L (mm)	Type
20 - 16	16	<b>735 910 334</b>	0.017	35	B
25 - 20	16	<b>735 910 337</b>	0.016	37	A
32 - 20	16	<b>735 910 342</b>	0.023	43	A
32 - 25	16	<b>735 910 107</b>	0.023	39	C
40 - 20	16	<b>735 910 348</b>	0.034	48	A
40 - 25	16	<b>735 910 347</b>	0.035	48	A
40 - 32	16	<b>735 910 108</b>	0.038	43	C
50 - 20	16	<b>735 910 355</b>	0.059	54	A
50 - 25	16	<b>735 910 354</b>	0.059	54	A
50 - 32	16	<b>735 910 353</b>	0.061	54	A
50 - 40	16	<b>735 910 109</b>	0.062	48	D
63 - 20	16	<b>735 910 362</b>	0.102	64	A

table continued on the next page



D-d	PN	Code	Weight	L	Type
(mm)	(bar)		(kg)	(mm)	
63 - 25	16	<b>735 910 361</b>	0.105	64	A
63 - 32	16	<b>735 910 360</b>	0.108	64	A
63 - 40	16	<b>735 910 359</b>	0.118	64	A
63 - 50	16	<b>735 910 110</b>	0.102	54	D

overview about functionality

Code	PN	L	main function			additional functions													
			spigot D	socket d	L	Z	reduction socket - socket			reduction spigot - spigot			reduction socket - spigot						
			D	d	L	Z	D	d	L	Z	D	d	L	Z	D	d	L	Z	
735 910 334	16	35	20	16	35	22													
735 910 337	16	37	25	20	37	23													
735 910 342	16	43	32	20	43	29	25	20	43	13									
735 910 107	16	39	32	25	39	23													
735 910 348	16	48	40	20	48	34	32	20	48	16									
735 910 347	16	48	40	25	48	32	32	25	48	14	40	32	48	48					
735 910 108	16	43	40	32	43	25													
735 910 355	16	54	50	20	54	40	40	20	54	20									
735 910 354	16	54	50	25	54	38	40	25	54	18	50	32	54	54	40	32	54	34	
735 910 353	16	54	50	32	54	36	40	32	54	16	50	40	54	54					
735 910 109	16	48	50	40	48	28													
735 910 362	16	64	63	20	64	50	50	20	64	27									
735 910 361	16	64	63	25	64	48	50	25	64	25	63	32	64	64	50	32	64	41	
735 910 360	16	64	63	32	64	46	50	32	64	23	63	40	64	64	50	40	64	41	
735 910 359	16	64	63	40	64	44	50	40	64	21	63	50	64	64					
735 910 110	16	54	63	50	54	31													

please note: illustration of the functions not inevitably conform to respective type!

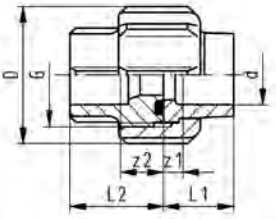


SYGEF Standard end cap PN16

Model:

- Material: PVDF

d	PN	Code	Weight	D	L
(mm)	(bar)		(kg)	(mm)	(mm)
16	16	<b>735 960 105</b>	0.013	25	24
20	16	<b>735 960 106</b>	0.010	27	23
25	16	<b>735 960 107</b>	0.017	32	26
32	16	<b>735 960 108</b>	0.029	40	30
40	16	<b>735 960 109</b>	0.045	49	34
50	16	<b>735 960 110</b>	0.074	60	39
63	16	<b>735 960 111</b>	0.126	75	46

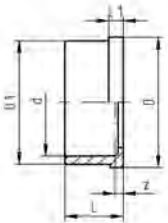


### SYGEF Standard union (FPM black) PN16

**Model:**

- Material: PVDF
- With fusion socket metric
- Jointing face: With O-ring groove
- **Supplied with:** O-Ring No. 49 41 00 FPM
- Please see installation instruction

d (mm)	PN (bar)	Code	Weight (kg)	D (mm)	G (inch)	L1 (mm)	L2 (mm)	z1 (mm)	z (mm)
16	16	<b>735 510 105</b>	0.025	35	¾	18	24	5	11
20	16	<b>735 510 106</b>	0.057	43	1	19	26	5	12
25	16	<b>735 510 107</b>	0.090	53	1 ¼	21	28	5	12
32	16	<b>735 510 108</b>	0.118	60	1 ½	23	30	5	12
40	16	<b>735 510 109</b>	0.195	74	2	25	34	5	14
50	16	<b>735 510 110</b>	0.244	82	2 ¼	28	39	5	16
63	16	<b>735 510 111</b>	0.403	100	2 ¾	32	47	5	20

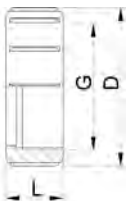


### SYGEF Standard union end PN16

**Model:**

- Material: PVDF
- Suitable for SYGEF Standard Union Socket Fusion

d (mm)	PN (bar)	Code	D (mm)	D1 (mm)	L (mm)	L1 (mm)	z (mm)
16	16	<b>735 600 105</b>	24	22	18	4	5
20	16	<b>735 600 106</b>	30	28	19	5	5
25	16	<b>735 600 107</b>	39	36	21	5	5
32	16	<b>735 600 108</b>	45	42	23	6	5
40	16	<b>735 600 109</b>	57	53	25	6	5
50	16	<b>735 600 110</b>	63	59	28	7	5
63	16	<b>735 600 111</b>	78	74	32	7	5



### SYGEF Standard union nut PN16

**Model:**

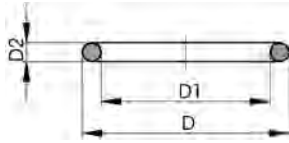
- Material: PVDF
- d75, d90 and d100 with buttress shaped thread

**Note:**

For the dimensions d75-110 please see instructions for the installation

Socket Fu- sion d (mm)	Butt Fusion d (mm)	PN (bar)	Code	Weight (kg)	D (mm)	G (inch)	L (mm)
16	16	16	<b>735 690 405</b>	0.011	35	¾	21
20	20	16	<b>735 690 406</b>	0.021	43	1	22
25	25	16	<b>735 690 407</b>	0.030	53	1 ¼	24
32	32	16	<b>735 690 408</b>	0.035	60	1 ½	26
40	40	16	<b>735 690 409</b>	0.065	74	2	29
50	50	16	<b>735 690 410</b>	0.093	82	2 ¼	33
63	63	16	<b>735 690 411</b>	0.144	100	2 ¾	35
	75 - 90	16	<b>735 690 422</b>	0.289	133		40
	110	16	<b>735 690 423</b>	0.403	155		42



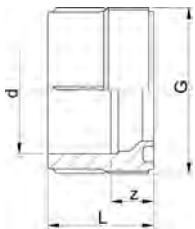


### O-ring black

**Model:**

- Hardness approx. 65° Shore
- FPM minimum temperature -15°C

d (mm)	DN (mm)	FPM Code	Weight (kg)	D (mm)	D1 (mm)	D2 (mm)
16	10	<b>749 410 005</b>	0.002	21	16	2.62
20	15	<b>749 410 006</b>	0.002	27	20	3.53
25	20	<b>749 410 007</b>	0.002	35	28	3.53
32	25	<b>749 410 008</b>	0.002	40	33	3.53
40	32	<b>749 410 009</b>	0.007	51	41	5.34
50	40	<b>749 410 010</b>	0.060	58	47	5.34
63	50	<b>749 410 011</b>	0.003	70	60	5.34

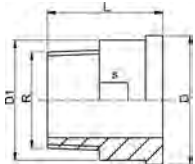


### SYGEF Standard union end socket fusion PN16

**Model:**

- Material: PVDF
- Suitable for SYGEF Standard Union Socket Fusion

d (mm)	PN (bar)	Code	Weight (kg)	G (inch)	L (mm)	z (mm)
16	16	<b>735 640 105</b>	0.011	¾	24	11
20	16	<b>735 640 106</b>	0.019	1	26	12
25	16	<b>735 640 107</b>	0.027	1 ¼	28	12
32	16	<b>735 640 108</b>	0.040	1 ½	30	12
40	16	<b>735 640 109</b>	0.068	2	34	14
50	16	<b>735 640 110</b>	0.090	2 ¼	39	16
63	16	<b>735 640 111</b>	0.159	2 ¾	47	20

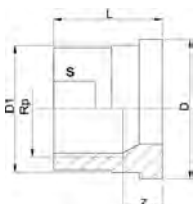


### Union end stainless steel R

**Model:**

- Material: stainless steel 1.4404 (316L)
- Taper male thread R

R (inch)	PN (bar)	Code	Weight (kg)	D (mm)	D1 (mm)	L (mm)	s (mm)
¾	16	<b>724 600 705</b>	0.052	24	22	30	19
½	16	<b>724 600 706</b>	0.083	30	28	34	24
¾	16	<b>724 600 707</b>	0.125	39	36	36	32
1	16	<b>724 600 708</b>	0.189	45	42	40	37
1 ¼	16	<b>724 600 709</b>	0.356	57	53	46	48
1 ½	16	<b>724 600 710</b>	0.407	63	59	48	54
2	16	<b>724 600 711</b>	0.668	78	74	55	69



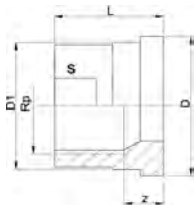
### Union end stainless steel Rp

**Model:**

- Material: stainless steel 1.4404 (316L)
- Parallel female thread Rp

Rp (inch)	PN (bar)	Code	Weight (kg)	z (mm)	D (mm)	D1 (mm)	L (mm)	s (mm)
¾	16	<b>724 600 655</b>	0.030	9	24	22	19	19
½	16	<b>724 600 656</b>	0.060	11	30	28	24	24
¾	16	<b>724 600 657</b>	0.092	11	39	36	26	29

table continued on the next page



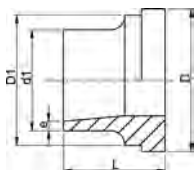
Rp (inch)	PN (bar)	Code	Weight (kg)	z (mm)	D (mm)	D1 (mm)	L (mm)	s (mm)
1	16	<b>724 600 658</b>	0.137	12	45	42	29	36
1 ¼	16	<b>724 600 659</b>	0.226	14	57	53	33	45
1 ½	16	<b>724 600 660</b>	0.314	15	63	59	34	54
2	16	<b>724 600 661</b>	0.438	15	78	74	39	63



### Union end stainless steel Welding end

#### Model:

- Material: stainless steel 1.4404 (316L)



d1 (mm)	d (mm)	PN (bar)	Code	Weight (kg)	D (mm)	D1 (mm)	L (mm)	e (mm)
17	16	16	<b>724 605 505</b>	0.029	24	22	18	1.6
21	20	16	<b>724 605 506</b>	0.046	30	28	22	2.0
26	25	16	<b>724 605 507</b>	0.080	39	36	23	2.0
33	32	16	<b>724 605 508</b>	0.112	45	42	26	2.0
42	40	16	<b>724 605 509</b>	0.188	57	53	26	2.0
48	50	16	<b>724 605 510</b>	0.222	63	59	28	2.0
60	63	16	<b>724 605 511</b>	0.361	78	74	32	2.6



### Union nut stainless steel 1.4404 (316L)

\* Octagon union nut



d (mm)	PN (bar)	Code	Weight (kg)	G (inch)	closest inch (inch)	L (mm)	s (mm)
16	16	<b>724 690 105</b>	0.060	¾	¾	19	32
20	16	<b>724 690 106</b>	0.105	1	½	21	41
25	16	<b>724 690 107</b>	0.091	1 ¼	¾	23	46
32	16	<b>724 690 108</b>	0.170	1 ½	1	24	55
*	40	<b>724 690 109</b>	0.218	2	1 ¼	27	68
*	50	<b>724 690 110</b>	0.316	2 ¼	1 ½	31	74
*	63	<b>724 690 111</b>	0.364	2 ¾	2	35	88

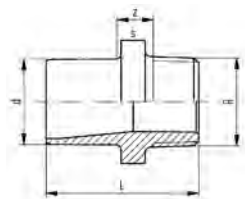
## Transition fittings socket fusion



### SYGEF Standard adaptor nipple male thread metric R PN16

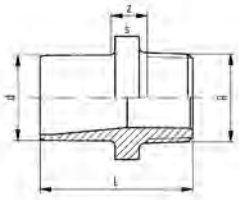
#### Model:

- Material: PVDF
- With socket fusion spigot metric and BSP tapered male thread
- Connection to plastic thread only
- Do not use thread sealing pastes that are harmful to PVDF
- Avoid stresses when installing and large changes in temperature



R (inch)	d (mm)	PN (bar)	Code	Weight (kg)	z (mm)	L (mm)	s (mm)
¾	16	16	<b>735 910 505</b>	0.015	12	37	27
½	20	16	<b>735 910 506</b>	0.025	25	53	32
¾	25	16	<b>735 910 507</b>	0.033	24	55	36

table continued on the next page



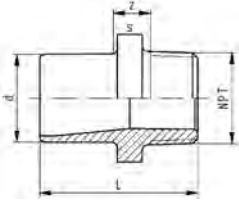
R	d	PN	Code	Weight	z	L	s
(inch)	(mm)	(bar)		(kg)	(mm)	(mm)	(mm)
1	32	16	<b>735 910 508</b>	0.056	22	57	46
1 ¼	40	16	<b>735 910 509</b>	0.082	21	60	55
1 ½	50	16	<b>735 910 510</b>	0.113	19	63	65
2	63	16	<b>735 910 511</b>	0.166	18	69	75



### SYGEF Standard adaptor nipple male thread NPT PN 16

#### Model:

- Material: PVDF
- With socket fusion spigot and taper male thread
- Connection to plastic thread only
- Do not use thread sealing pastes that are harmful to PVDF
- Avoid stresses when installing and large changes in temperature



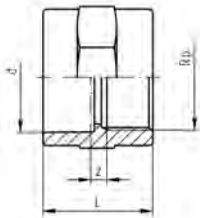
d	NPT	PN	Code	Weight	L	s	z
(mm)	(inch)	(bar)		(kg)	(mm)	(mm)	(mm)
16	¾	16	<b>735 914 505</b>	0.014	37	27	12
20	½	16	<b>735 914 506</b>	0.024	53	32	25
25	¾	16	<b>735 914 507</b>	0.032	55	36	24
32	1	16	<b>735 914 508</b>	0.057	57	46	22
40	1 ¼	16	<b>735 914 509</b>	0.075	60	55	21
50	1 ½	16	<b>735 914 510</b>	0.120	63	65	19
63	2	16	<b>735 914 511</b>	0.163	69	75	18



### SYGEF Standard adaptor socket female thread Rp PN16

#### Model:

- Material: PVDF
- With socket fusion end and parallel female thread
- Connection to plastic thread only
- Do not use thread sealing pastes that are harmful to PVDF
- Avoid stresses when installing and large changes in temperature



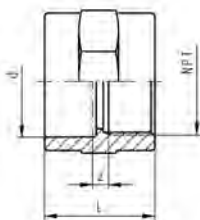
d	Rp	PN	Code	Weight	L	s	z
(mm)	(inch)	(bar)		(kg)	(mm)	(mm)	(mm)
20	½	16	<b>735 910 206</b>	0.030	34	32	5
25	¾	16	<b>735 910 207</b>	0.036	38	36	6
32	1	16	<b>735 910 208</b>	0.067	43	46	7
40	1 ¼	16	<b>735 910 209</b>	0.100	47	55	7
50	1 ½	16	<b>735 910 210</b>	0.135	54	65	9
63	2	16	<b>735 910 211</b>	0.217	62	80	9



### SYGEF Standard adaptor socket female thread metric NPT PN16

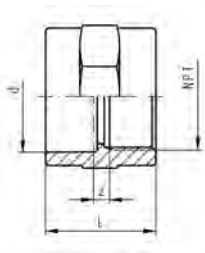
#### Model:

- Material: PVDF
- With socket fusion end and taper female thread
- Connection to plastic thread only
- Do not use thread sealing pastes that are harmful to PVDF
- Avoid stresses when installing and large changes in temperature



d	NPT	PN	Code	Weight	L	s	z
(mm)	(inch)	(bar)		(kg)	(mm)	(mm)	(mm)
16	¾	16	<b>735 914 205</b>	0.016	29	27	3
20	½	16	<b>735 914 206</b>	0.030	34	32	5
25	¾	16	<b>735 914 207</b>	0.036	38	36	6

table continued on the next page



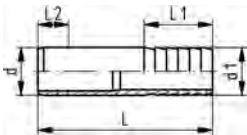
d	NPT	PN	Code	Weight	L	s	z
(mm)	(inch)	(bar)		(kg)	(mm)	(mm)	(mm)
32	1	16	<b>735 914 208</b>	0.067	43	46	7
40	1 ¼	16	<b>735 914 209</b>	0.100	47	55	7
50	1 ½	16	<b>735 914 210</b>	0.140	54	65	9
63	2	16	<b>735 914 211</b>	0.220	62	80	9



### SYGEF Standard hose adaptor SDR21/PN16

#### Model:

- Material: PVDF
- With socket fusion spigot metric and parallel hose connection



d - d1	PN	Code	Weight	L	L1	L2
(mm)	(bar)		(kg)	(mm)	(mm)	(mm)
16 - 16	16	<b>735 960 405</b>	0.008	50	27	13
20 - 20	16	<b>735 960 406</b>	0.018	78	27	14
25 - 25	16	<b>735 960 407</b>	0.028	91	36	16
32 - 32	16	<b>735 960 408</b>	0.050	100	36	18
40 - 40	16	<b>735 960 409</b>	0.078	104	42	20
50 - 50	16	<b>735 960 410</b>	0.089	90	48	23
63 - 60	16	<b>735 960 411</b>	0.126	100	50	27

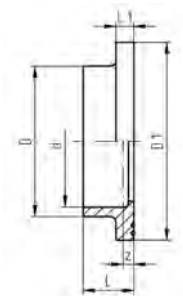
## Flange Adaptor, Flanges and Gaskets for Socket Fusion



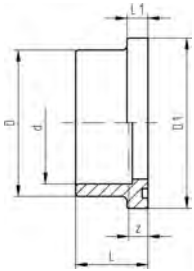
### SYGEF Standard flange adaptor Metric jointing face serrated PN16

#### Model:

- Material: PVDF
- Suitable for flange adaptor with groove
- Gasket: profile flange gaskets **FPM** or **EPDM**



d	DN	PN	Code	Weight	L1	z	D1	D	L
(mm)	(mm)	(bar)		(kg)	(mm)	(mm)	(mm)	(mm)	(mm)
20	15	16	<b>735 790 206</b>	0.019	6	3	45	27	19
25	20	16	<b>735 790 207</b>	0.037	7	3	58	33	21
32	25	16	<b>735 790 208</b>	0.047	7	3	68	41	23
40	32	16	<b>735 790 209</b>	0.073	8	3	78	50	25
50	40	16	<b>735 790 210</b>	0.096	8	3	88	61	28
63	50	16	<b>735 790 211</b>	0.141	9	3	102	76	32

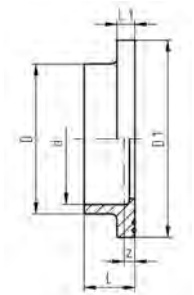


### SYGEF Standard flange adaptor with groove PN16

**Model:**

- Material: PVDF
- Jointing face: With O-ring groove
- Counterpart: flange adaptor metric or ANSI
- Gasket: O-ring EPDM No. 48 41 01, FPM No. 49 41 01

d (mm)	DN (mm)	PN (bar)	Code	Weight (kg)	D (mm)	D1 (mm)	L (mm)	L1 (mm)	z (mm)
20	15	16	<b>735 810 106</b>	0.015	27	34	22	9	8
25	20	16	<b>735 810 107</b>	0.022	33	41	24	10	8
32	25	16	<b>735 810 108</b>	0.035	41	50	26	10	8
40	32	16	<b>735 810 109</b>	0.055	50	61	30	13	10
50	40	16	<b>735 810 110</b>	0.080	61	73	33	13	10
63	50	16	<b>735 810 111</b>	0.134	76	90	37	14	10

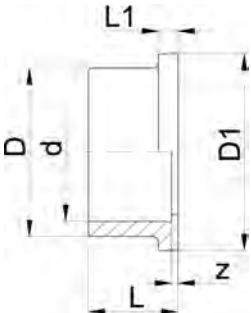


### SYGEF Standard flange adaptor ANSI Jointing face serrated PN16

**Model:**

- Material: PVDF
- Suitable for flange adaptor with groove
- Face dimension ANSI
- Gasket: flat gasket **FPM** or **EPDM**
- Gasket: profile flange gaskets **FPM** or **EPDM**
- Dimensions d20 and d63 are identical to metric version

d (mm)	PN (bar)	d (inch)	Code	Weight (kg)	D (mm)	D1 (mm)	L (mm)	L1 (mm)	z (mm)
25	16	¾	<b>735 790 257</b>	0.037	33	54	21	7	3
32	16	1	<b>735 790 258</b>	0.051	41	63	23	7	3
40	16	1 ¼	<b>735 790 259</b>	0.073	50	73	25	8	3
50	16	1 ½	<b>735 790 260</b>	0.095	61	82	28	8	3



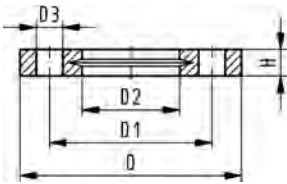
### SYGEF Standard flange adaptor JIS Jointing face flat PN16

**Model:**

- Material: PVDF

d (mm)	Code	Weight (kg)	D (mm)	L (mm)	z (mm)	D1 (mm)
20	<b>735 800 106</b>	0.013	27	19	3	34
25	<b>735 800 107</b>	0.020	33	21	3	41
32	<b>735 800 108</b>	0.030	41	23	3	50
40	<b>735 800 109</b>	0.047	50	25	3	60
50	<b>735 800 110</b>	0.070	61	28	3	72
63	<b>735 800 111</b>	0.115	75	32	3	89





### Backing flange PP-V metric For socket systems metric and BS

#### Model:

- Connecting dimension: ISO 7005, EN 1092, BS 4504, DIN 2501
  - **Bolt circle PN 10**
  - Full-plastic flange PP-GF (30 % glass-fibre reinforced)
  - 1) Suitable for socket- and butt fusion systems
  - 2) Not for BS
  - \* Combined version, metric-ANSI
- AL: number of holes

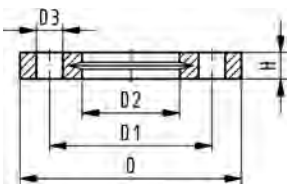
	d (mm)	DN (mm)	PN (bar)	Code	Weight (kg)	D (mm)	D1 (mm)	D2 (mm)	D3 (mm)	H (mm)	AL	SC
1	20	15	16	<b>727 700 406</b>	0.093	95	65	28	14	16	4	M12
1	25	20	16	<b>727 700 407</b>	0.120	105	75	34	14	17	4	M12
1	32	25	16	<b>727 700 408</b>	0.151	115	85	42	14	18	4	M12
1	40	32	16	<b>727 700 409</b>	0.244	140	100	51	18	20	4	M16
1	50	40	16	<b>727 700 410</b>	0.297	150	110	62	18	22	4	M16
1	63	50	16	<b>727 700 411</b>	0.362	165	125	78	18	24	4	M16

### Backing flange PP-V Inch ANSI For socket systems metric and BS

#### Model:

- Full-plastic flange PP-GF (30 % glass-fibre reinforced)
  - Connecting dimension: ANSI/ASME B 16.5 class 150, ASTM D 4024, BS 1560, BS EN 1759
  - **Bolt circle class 150**
  - Special flange adapter ANSI for d25 - d50 and d90 required
- AL: number of holes
- \* Combined version, metric-ANSI
- 1) Suitable for socket- and butt fusion systems
- 2) Not for BS

	Size (inch)	DN (mm)	d (mm)	PN (bar)	Code	Weight (kg)	D (mm)	D1 (mm)	D2 (mm)	D3 (mm)	H (mm)	AL	SC
1	½	15	20	16	<b>727 701 406</b>	0.091	95	60	28	16	16	4	M12
1	¾	20	25	16	<b>727 701 407</b>	0.120	105	70	34	16	17	4	M12
1	1	25	32	16	<b>727 701 408</b>	0.147	115	79	42	16	18	4	M12
1	1 ¼	32	40	16	<b>727 701 409</b>	0.246	140	89	51	16	20	4	M16
1	1 ½	40	50	16	<b>727 701 410</b>	0.299	150	98	62	16	22	4	M16
1	2	50	63	16	<b>727 701 411</b>	0.361	165	121	78	19	24	4	M16





### Backing flange PP-Steel For socket systems metric

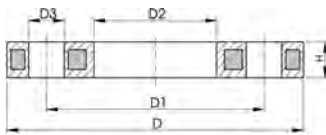
#### Model:

- Bolt circle PN 10
- PP-GF (30% glass-fibre reinforced) with steel ring
- UV-resistant. Applicable for outside applications
- Connecting dimension: ISO 7005, EN 1092, BS 4504, DIN 2501

AL: number of holes

<sup>1)</sup> Connecting dimension: ISO 2536, bolt circle acc. DN125, suitable for flange adaptor d125/ DN100

<sup>2)</sup> Connecting dimension: ISO 2536, bolt circle acc. DN225, suitable for flange adaptor d250/ DN250



PN (bar)	DN (mm)	d (mm)	Code	Weight (kg)	D1 (mm)	D3 (mm)	D2 (mm)	D (mm)	H (mm)	AL	SC
16	15	20	<b>727 700 206</b>	0.216	65	14	28	95	12	4	
16	20	25	<b>727 700 207</b>	0.279	75	14	34	105	12	4	
16	25	32	<b>727 700 208</b>	0.429	85	14	42	115	16	4	
16	32	40	<b>727 700 209</b>	0.621	100	18	51	140	16	4	
16	40	50	<b>727 700 210</b>	0.722	110	18	62	150	20	4	
16	50	63	<b>727 700 211</b>	1.084	125	18	78	165	20	4	



### Backing Flange PP-Steel Inch/ANSI For socket systems metric and BS

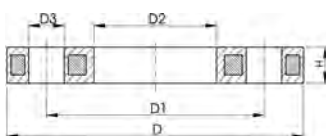
#### Model:

- Material: PP (30% glass-fibre reinforced) with steel ring
- Connecting dimension: ANSI/ASME B 16.5 class 150, ASTM D 4024, BS 1560, BS EN 1759
- Bolt circle class 150
- Special flange adapter ANSI for d25 - d50 and d90 required

<sup>1)</sup> Not for BS

\*Combined version, bolt circle metric - ANSI

AL: number of holes



d (inch)	d (mm)	DN (mm)	PN (bar)	Code	Weight (kg)	D (mm)	D1 (mm)	D2 (mm)	D3 (mm)	H (mm)	AL	SC
½	20	15	16	<b>727 701 206</b>	0.213	95	60	28	16	12	4	M12
¾	25	20	16	<b>727 701 207</b>	0.260	105	70	34	16	12	4	M12
1	32	25	16	<b>727 701 208</b>	0.416	115	79	42	16	16	4	M12
1 ¼	40	32	16	<b>727 701 209</b>	0.730	140	89	51	16	16	4	M16
1 ½	50	40	16	<b>727 701 210</b>	0.809	150	98	62	16	18	4	M16
2	63	50	16	<b>727 701 211</b>	0.866	165	121	78	19	18	4	M16

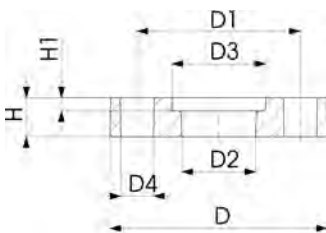


### Backing flange PP-GF JIS

#### Model:

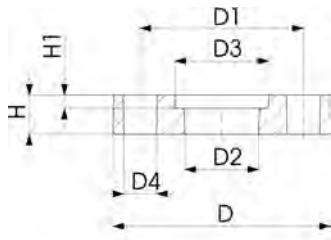
- Only use with flange adaptor JIS 27 80 02
- PP-GF (30% glass-fibre reinforced)
- Connecting dimensions: JIS B 2220, 10K

AL: number of holes



Inch (inch)	DN (mm)	Code	Weight (kg)	D (mm)	D1 (mm)	D2 (mm)	D3 (mm)	D4 (mm)	H (mm)	H1 (mm)	AL	SC
1/2	15	<b>727 705 006</b>	0.083	95	70	28	36	15	16	5	4	M12
3/4	20	<b>727 705 007</b>	0.101	100	75	34	43	15	18	6	4	M12
1	25	<b>727 705 008</b>	0.168	125	90	42	52	19	20	6	4	M16

table continued on the next page



Inch	DN	Code	Weight	D	D1	D2	D3	D4	H	H1	AL	SC
(inch)	(mm)		(kg)	(mm)	(mm)	(mm)	(mm)	(mm)	(mm)	(mm)		
1 1/4	32	<b>727 705 009</b>	0.195	135	100	51	63	19	21	7	4	M16
1 1/2	40	<b>727 705 010</b>	0.196	140	105	62	76	19	21	7	4	M16
2	50	<b>727 705 011</b>	0.228	155	120	78	92	19	21	8	4	M16
2 1/2	65	<b>727 705 012</b>	0.367	175	140	92	108	19	29	9	4	M16

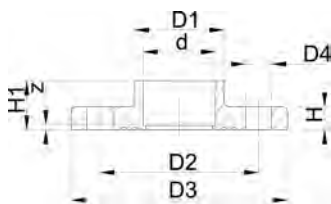


**SYGEF Standard fixed flange**  
**For socket fusion metric**  
**Combined jointing face: flat and serrated**

**Model:**

- Material: PVDF
- Connecting dimension: ISO 7005 PN10, EN 1092 PN10, DIN 2501 PN10

AL: number of holes



d	DN	Inch	PN	Code	Weight	D1	D2	D3	D4	H	H1	AL	z
(mm)	(mm)	(inch)	(bar)		(kg)	(mm)	(mm)	(mm)	(mm)	(mm)	(mm)		(mm)
20	15	1/2	16	<b>735 740 106</b>	0.121	27	65	93	14	12	19	4	5
25	20	3/4	16	<b>735 740 107</b>	0.162	33	75	103	14	13	21	4	4
32	25	1	16	<b>735 740 108</b>	0.229	40	85	115	14	14	23	4	4
40	32	1 1/4	16	<b>735 740 109</b>	0.340	50	100	137	18	15	25	4	4
50	40	1 1/2	16	<b>735 740 110</b>	0.409	61	110	147	18	16	27	4	4
63	50	2	16	<b>735 740 111</b>	0.551	76	125	162	18	18	31	4	4

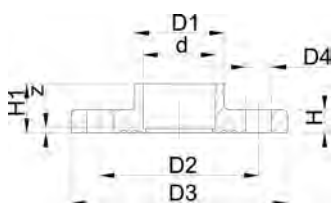


**SYGEF Standard fixed flange**  
**For socket fusion metric**  
**Jointing face flat**

**Model:**

- Connecting dimension: ISO 7005 PN10, EN 1092 PN10, DIN 2501 PN10

AL: number of holes



d	DN	Inch	PN	Code	Weight	D1	D2	D3	D4	H	H1	AL	z
(mm)	(mm)	(inch)	(bar)		(kg)	(mm)	(mm)	(mm)	(mm)	(mm)	(mm)		(mm)
20	15	11/2	16	<b>735 730 106</b>	0.137	27	65	93	14	12	19	4	5
25	20	13/4	16	<b>735 730 107</b>	0.185	33	75	103	14	13	21	4	5
32	25	1	16	<b>735 730 108</b>	0.255	40	85	115	14	14	23	4	5
40	32	11/4	16	<b>735 730 109</b>	0.355	50	100	137	18	15	25	4	5
50	40	11/2	16	<b>735 730 110</b>	0.486	61	110	147	18	16	27	4	5
63	50	2	16	<b>735 730 111</b>	0.653	76	125	162	18	18	31	4	5

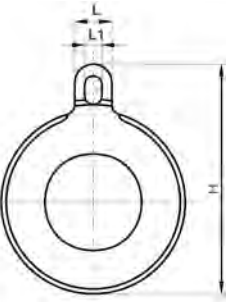


### SYGEF Plus Gasket

**Model:**

- For Use with Steel Flange Rings
- \* Non-Returnable/Non-Cancelable

d	Pipe Size	Code	Weight	H	L	L1
(mm)	(inch)		(lb)	(inch)	(inch)	(inch)
25	3/4	<b>731 400 753</b>	0.002	2.99	0.79	0.51
32	1	<b>731 400 755</b>	0.053	3.58	0.98	0.63
40	1 1/4	<b>731 400 757</b>	0.079	3.98	0.98	0.63
50	1 1/2	<b>731 400 759</b>	0.084	4.33	0.98	0.63
63	2	<b>731 400 760</b>	0.132	5.04	0.98	0.63

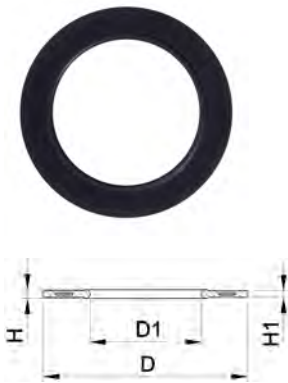


### Profile Flange Gasket, metric EPDM / FPM

**Model:**

- For all metric GF Flange Adaptors
- Profile Gasket with carbon steel insert (type G-ST-P/K)
- Hardness: 70° Shore EPDM, 75° Shore FPM
- EPDM: approved acc. to DVGW W 270, KTW recommendation
- Centering on the inner diameter of the screw crown
- material steel insert: carbon steel

di FA are the suitable inner diameters of flanges adaptors



d	PN	DN	EPDM Code	FPM Code	Weight	D	D1	H	H1	di FA
(mm)	(bar)	(mm)			(kg)	(mm)	(mm)	(mm)	(mm)	(mm)
20	16	15	<b>748 440 706</b>	<b>749 440 706</b>	0.013	51	20	4	3	10 - 20
25	16	20	<b>748 440 707</b>	<b>749 440 707</b>	0.014	61	22	4	3	12 - 22
32	16	25	<b>748 440 708</b>	<b>749 440 708</b>	0.019	71	28	4	3	18 - 28
40	16	32	<b>748 440 709</b>	<b>749 440 709</b>	0.026	82	40	4	3	30 - 40
50	16	40	<b>748 440 710</b>	<b>749 440 710</b>	0.039	92	46	4	3	36 - 46
63	16	50	<b>748 440 711</b>	<b>749 440 711</b>	0.050	107	58	5	4	48 - 58

### O-Ring gasket

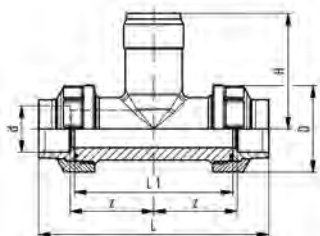
**Model:**

- For flange adaptors
- Hardness approx. 65° Shore



d	DN	EPDM Code	Weight	FPM Code	Weight	D	D1	D2	closest inch
(mm)	(mm)		(kg)		(kg)	(mm)	(mm)	(mm)	(inch)
20	15	<b>748 410 001</b>	0.002	<b>749 410 001</b>	0.002	31	23	3.53	1/2
25	20	<b>748 410 007</b>	0.002	<b>749 410 007</b>	0.002	35	28	3.53	3/4
32	25	<b>748 410 002</b>	0.003	<b>749 410 002</b>	0.003	43	36	3.53	1
40	32	<b>748 410 003</b>	0.004	<b>749 410 003</b>	0.002	55	44	5.34	1 1/4
50	40	<b>748 410 012</b>	0.004	<b>749 410 012</b>	0.008	64	53	5.34	1 1/2
63	50	<b>748 410 013</b>	0.006	<b>749 410 013</b>	0.011	80	69	5.34	2

## Installation fittings



### SYGEF Standard installation fitting type 310 (FPM black) PN16 for socket fusion systems

#### Range of use:

- Compatible Signet pH/ORP sensors: type 2724, 2725, 2726, 2734, 2736, 2735
- Compatible Signet flow sensors: type 2551, 2537, 515, 8510, 2536, 8512

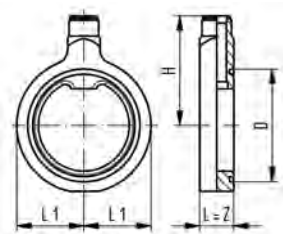
#### Model:

- Union end with fusion socket PVDF
- Material: PVDF
- Threaded outlet 1 ¼" NPSM
- supplied with sealing

#### Attention:

- sensor length depends on installation fitting

d (mm)	PN (bar)	Code	Weight (kg)	L1 (mm)	D (mm)	H (mm)	L (mm)	z (mm)	Sensor Type
20	16	<b>735 310 036</b>	0.250	90	45	76	128	50	flow X0, pH XX
25	16	<b>735 310 037</b>	0.355	100	55	78	142	55	flow X0, pH XX
32	16	<b>735 310 038</b>	0.427	110	62	81	156	60	flow X0, pH XX
40	16	<b>735 310 039</b>	0.540	110	75	85	160	60	flow X0, pH XX
50	16	<b>735 310 040</b>	0.850	120	84	89	176	65	flow X0, pH XX
63	16	<b>735 310 041</b>	1.182	130	101	95	194	70	flow X0, pH XX



### SYGEF Standard installation fitting type 311 (FPM black)

#### Range of use:

- Compatible Signet flow sensors: type 2551, 2537, 515, 8510, 2536, 8512

#### Attention:

- sensor length depends on installation fitting

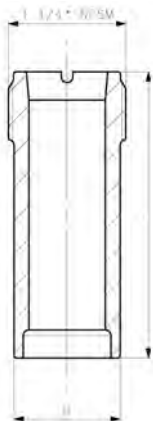
#### Model:

- Material: PVDF
- Threaded outlet 1 ¼" NPSM
- Suitable for backing flanges metric and inch
- Delivered with profile O-ring

d (inch)	DN (mm)	PN (bar)	d (mm)	Code	Weight (kg)	Sensor Type	D (mm)	H (mm)	L (mm)	L1 (mm)
2 ½	65	10 - 16	75	<b>735 311 042</b>	0.845	flow X1	88	135	48	61
3	80	10 - 16	90	<b>735 311 043</b>	1.020	flow X1	102	141	48	69
4	100	10 - 16	110	<b>735 311 044</b>	1.192	flow X1	132	152	48	79
	100	10 - 16	125	<b>735 311 045</b>	0.990	flow X1	132	147	48	79
5	125	10 - 16	140	<b>735 311 046</b>	1.473	flow X1	157	153	48	94
6	150	10 - 16	160	<b>735 311 047</b>	1.742	flow X1	182	161	48	106
8	200	10 - 16	200	<b>735 311 049</b>	2.643	flow X1	236	175	48	134
8	200	10 - 16	225	<b>735 311 050</b>	2.074	flow X1	236	185	48	134



## SYGEF Standard installation fitting type 314



### Attention:

- pressure rate depends on quality of hot gas back welding
- please consult the instruction manual
- Installation by trained and certified welders only
- only for pressureless or low pressure application

### Range of use:

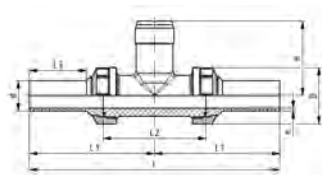
- Compatible Signet pH/ORP sensors: type 2724, 2725, 2726, 2734, 2736, 2735
- Compatible Signet flow sensors: type 2551, 2537, 515, 8510, 2536, 8512

### Model:

- For conventional hot gas back welding according to DVS 2207 part 3
- Threaded outlet 1 1/4" NPSM
- Material: PVDF

DN	d (mm)	PN* (bar)	Code	Weight (kg)	Sensor Type	D (mm)	L (mm)
65 - 150	75 - 180	-	<b>735 314 000</b>	0.069	flow X0, pH XX	38	68
200 - 350	200 - 355	-	<b>735 314 001</b>	0.100	flow X1	38	102
350 - 600	400 - 630	-	<b>735 314 002</b>	0.173	flow X2	38	178

## SYGEF Standard installation fitting type 318 (FPM black) PN16 for butt fusion systems



### Model:

- Material: PVDF
- Threaded outlet 1 1/4" NPSM
- Union end with butt fusion spigot PVDF

### Range of use:

- Compatible Signet flow sensors: type 2551, 2537, 515, 8510, 2536, 8512
- Compatible Signet pH/ORP sensors: type 2724, 2725, 2726, 2734, 2736, 2735

### Attention:

- sensor length depends on installation fitting
- supplied with sealing

FM	d (mm)	DN (mm)	PN (bar)	Code	Weight (kg)
BCF, IR	20	15	16	<b>735 318 036</b>	0.240
BCF, IR	25	20	16	<b>735 318 037</b>	0.318
BCF, IR	32	25	16	<b>735 318 038</b>	0.427
BCF, IR	40	32	16	<b>735 318 039</b>	0.588
BCF, IR	50	40	16	<b>735 318 040</b>	0.719
BCF, IR	63	50	16	<b>735 318 041</b>	1.088

L3 (mm)	L2 (mm)	e (mm)	Sensor Type	H (mm)	L (mm)	L1 (mm)	D (mm)
37	90	2	flow X0, pH XX	76	196	98	45
37	100	2	flow X0, pH XX	78	212	106	55
40	110	2	flow X0, pH XX	81	228	114	62
40	110	2	flow X0, pH XX	85	234	117	75
43	120	3	flow X0, pH XX	89	250	125	84
43	130	3	flow X0, pH XX	95	266	133	101

# SYGEF Standard

## Valves



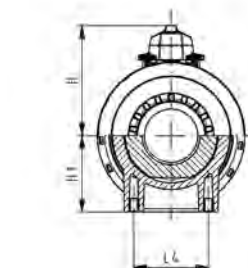
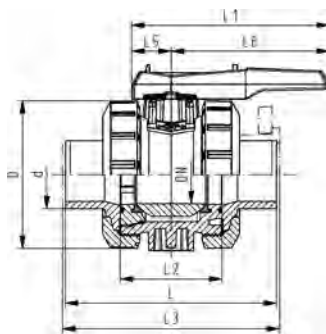
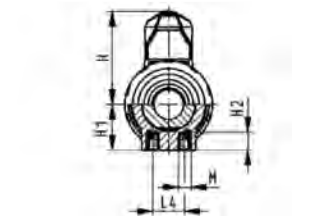
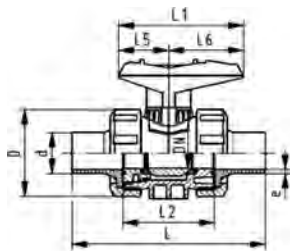
# Valves SYGEF Standard

## Hand operated valves

### Ball valves



DN10/15 - 50



**SYGEF Standard**  
**Ball valve type 546**  
**With mounting inserts**  
**With butt fusion spigots IR-Plus metric**

**Model:**

- Material: PVDF
- For easy installation and removal
- Ball seals PTFE
- Integrated stainless steel mounting inserts
- z-dimension, valve end and union nut are not compatible with type 346

**Option:**

- Individual configuration of the valve (see diagram)
- Multifunctional module with integrated limit switches
- Pneumatic or electric actuators from +GF+

d (mm)	DN (mm)	PN (bar)	kv-value ( $\Delta p=1$ bar) (l/min)	FPM Code	Weight (kg)
20	15	16	185	175 546 272	0.201
25	20	16	350	175 546 273	0.301
32	25	16	700	175 546 274	0.438
40	32	16	1000	175 546 275	0.780
50	40	16	1600	175 546 276	1.110
63	50	16	3100	175 546 277	1.958
75	65	16	5000	175 546 278	7.600
90	80	16	7000	175 546 279	7.457
110	100	16	11000	175 546 280	17.400

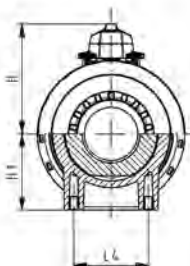
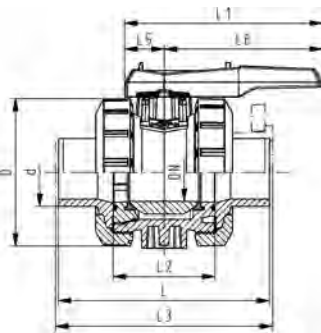
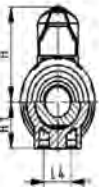
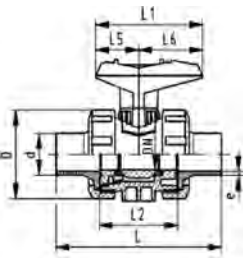
d (mm)	DN (mm)	D (mm)	H (mm)	H1 (mm)	H2 (mm)	L (mm)	L1 (mm)	L2 (mm)	L4 (mm)	L5 (mm)	L6 (mm)	M	e (mm)	closest inch (inch)
20	15	50	57	27	12	130	77	56	25	32	45	M6	1.9	1/2
25	20	58	67	30	12	143	97	65	25	39	58	M6	1.9	3/4
32	25	68	73	36	12	150	97	71	25	39	58	M6	2.4	1
40	32	84	90	44	15	171	128	85	45	54	74	M8	2.4	1 1/4
50	40	97	97	51	15	191	128	89	45	54	74	M8	3.0	1 1/2
63	50	124	116	64	15	220	152	101	45	66	87	M8	3.0	2
75	65	166	149	85	15	266	270	136	70	64	206	M8	3.6	2 1/2
90	80	200	161	105	15	264	270	141	70	64	206	M8	4.3	3
110	100	238	178	123	22	301	320	164	120	64	256	M12	5.3	4



DN10/15 - 50



DN10/15 - 50



**SYGEF Standard**  
**Ball valve type 546**  
**With butt fusion spigots IR-Plus metric**

**Model:**

- Material: PVDF
- For easy installation and removal
- Ball seals PTFE
- Without mounting inserts
- z-dimension, valve end and union nut are not compatible with type 346

**Option:**

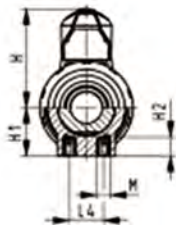
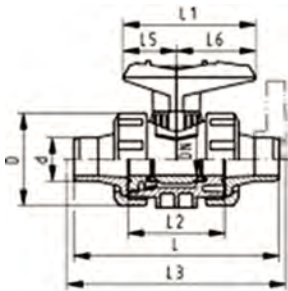
- Individual configuration of the valve (see diagram)
- Multifunctional module with integrated limit switches
- Pneumatic or electric actuators from +GF+

d (mm)	DN (mm)	PN (bar)	kv-value ( $\Delta p=1$ bar) (l/min)	FPM Code	Weight (kg)
20	15	16	185	<b>175 546 092</b>	0.205
25	20	16	350	<b>175 546 093</b>	0.307
32	25	16	700	<b>175 546 094</b>	0.434
40	32	16	1000	<b>175 546 095</b>	0.760
50	40	16	1600	<b>175 546 096</b>	1.049
63	50	16	3100	<b>175 546 097</b>	1.947
75	65	16	5000	<b>175 546 098</b>	6.600
90	80	16	7000	<b>175 546 099</b>	9.700
110	100	16	11000	<b>175 546 100</b>	15.300

d (mm)	D (mm)	H (mm)	H1 (mm)	L (mm)	L1 (mm)	L2 (mm)	L4 (mm)	L5 (mm)	L6 (mm)	e (mm)	closest inch (inch)
20	50	57	27	130	77	56	25	32	45	1.9	½
25	58	67	30	143	97	65	25	39	58	1.9	¾
32	68	73	36	150	97	71	25	39	58	2.4	1
40	84	90	44	171	128	85	45	54	74	2.4	1 ¼
50	97	97	51	191	128	89	45	54	74	3.0	1 ½
63	124	116	64	220	152	101	45	66	87	3.0	2
75	166	149	85	266	270	136	70	64	206	3.6	2 ½
90	200	161	105	264	270	141	70	64	206	4.3	3
110	238	178	123	301	320	164	120	64	256	5.3	4



DN10/15 - 50



**SYGEF Standard**  
**Ball valve type 546**  
**With mounting inserts**  
**With socket fusion spigots metric**

**Model:**

- Material: PVDF
- For easy installation and removal
- Ball seals PTFE
- Integrated stainless steel mounting inserts
- z-dimension, valve end and union nut are not compatible with type 346

**Option:**

- Individual configuration of the valve (see diagram)
- Multifunctional module with integrated limit switches
- Pneumatic or electric actuators from +GF+

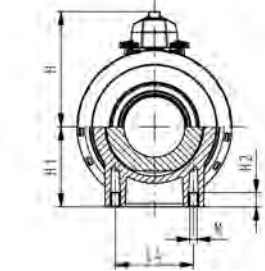
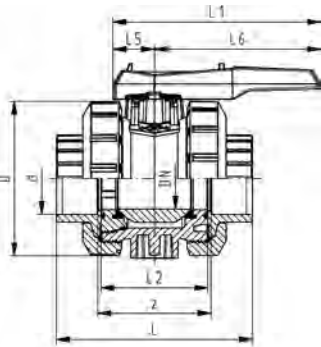
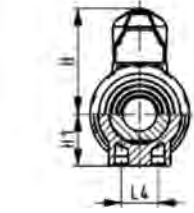
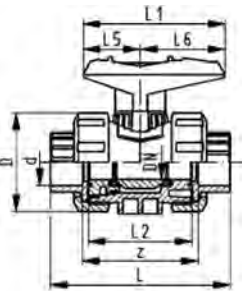
d (mm)	DN (mm)	PN (bar)	kv-value ( $\Delta p=1$ bar) (l/min)	FPM Code	Weight (kg)
16	10	16	71	<b>175 546 051</b>	0.200
20	15	16	185	<b>175 546 052</b>	0.205
25	20	16	350	<b>175 546 053</b>	0.310
32	25	16	700	<b>175 546 054</b>	0.460
40	32	16	1000	<b>175 546 055</b>	0.780
50	40	16	1600	<b>175 546 056</b>	1.110
63	50	16	3100	<b>175 546 057</b>	2.150

d (mm)	D (mm)	H (mm)	H1 (mm)	H2 (mm)	L (mm)	L1 (mm)	L2 (mm)	L3 (mm)	L4 (mm)	L5 (mm)	L6 (mm)	M	closest inch (inch)
16	50	57	27	12	110	77	56		25	32	45	M6	$\frac{3}{8}$
20	50	57	27	12	120	77	56	130	25	32	45	M6	$\frac{1}{2}$
25	58	67	30	12	139	97	65	150	25	39	58	M6	$\frac{3}{4}$
32	68	73	36	12	150	97	71	160	25	39	58	M6	1
40	84	90	44	15	170	128	85	180	45	54	74	M8	$1 \frac{1}{4}$
50	97	97	51	15	190	128	89	200	45	54	74	M8	$1 \frac{1}{2}$
63	124	116	64	15	220	152	101	230	45	66	87	M8	2





DN10/15 - 50



**SYGEF Standard**  
**Ball valve type 546**  
**With fusion sockets metric**

**Model:**

- Material: PVDF
- For easy installation and removal
- Ball seals PTFE
- Without mounting inserts
- z-dimension, valve end and union nut are not compatible with type 346

**Option:**

- Individual configuration of the valve (see diagram)
- Multifunctional module with integrated limit switches
- Pneumatic or electric actuators from +GF+

d (mm)	DN (mm)	PN (bar)	kv-value ( $\Delta p=1$ bar) (l/min)	FPM Code	Weight (kg)
16	10	16	71	<b>175 546 011</b>	0.195
20	15	16	185	<b>175 546 012</b>	0.121
25	20	16	350	<b>175 546 013</b>	0.297
32	25	16	700	<b>175 546 014</b>	0.427
40	32	16	1000	<b>175 546 015</b>	0.760
50	40	16	1600	<b>175 546 016</b>	1.060
63	50	16	3100	<b>175 546 017</b>	1.855
75	65	16	5000	<b>175 546 018</b>	6.300
90	80	16	7000	<b>175 546 019</b>	9.500
110	100	16	11000	<b>175 546 020</b>	15.000

d (mm)	D (mm)	H (mm)	H1 (mm)	L (mm)	L1 (mm)	L2 (mm)	L4 (mm)	L5 (mm)	L6 (mm)	z (mm)	closest inch (inch)
16	50	57	27	93	77	56	25	32	45	67	3/4
20	50	57	27	95	77	56	25	32	45	66	1/2
25	58	67	30	109	97	65	25	39	58	77	3/4
32	68	73	36	119	97	71	25	39	58	83	1
40	84	90	44	135	128	85	45	54	74	99	1 1/4
50	97	97	51	147	128	89	45	54	74	105	1 1/2
63	124	116	64	168	152	101	45	66	87	117	2
75	166	149	85	233	270	136	70	64	206	167	2 1/2
90	200	161	105	254	270	141	70	64	206	180	3
110	238	178	123	301	320	164	120	64	256	215	4



DN10/15 - 50



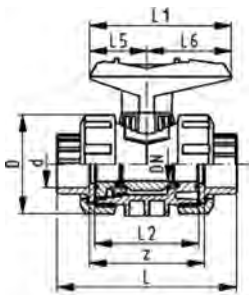
**SYGEF Standard**  
**Ball valve type 546**  
**With mounting inserts**  
**With fusion sockets metric**

**Model:**

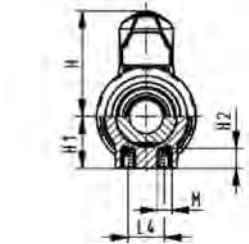
- Material: PVDF
- For easy installation and removal
- Ball seals PTFE
- Integrated stainless steel mounting inserts
- z-dimension, valve end and union nut are not compatible with type 346

**Option:**

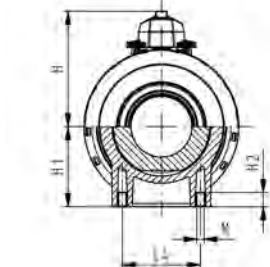
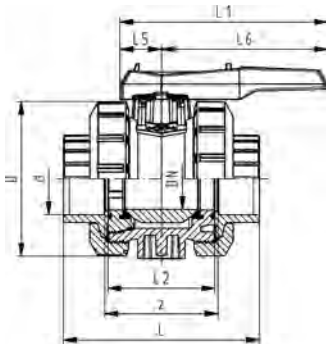
- Individual configuration of the valve (see diagram)
- Multifunctional module with integrated limit switches
- Pneumatic or electric actuators from +GF+



d (mm)	DN (mm)	PN (bar)	kv-value ( $\Delta p=1$ bar) (l/min)	FPM Code	Weight (kg)
16	10	16	71	<b>175 546 411</b>	0.195
20	15	16	185	<b>175 546 412</b>	0.197
25	20	16	350	<b>175 546 413</b>	0.302
32	25	16	700	<b>175 546 414</b>	0.431
40	32	16	1000	<b>175 546 415</b>	0.760
50	40	16	1600	<b>175 546 416</b>	1.011
63	50	16	3100	<b>175 546 417</b>	1.856
75	65	16	5000	<b>175 546 418</b>	6.300
90	80	16	7000	<b>175 546 419</b>	9.500
110	100	16	11000	<b>175 546 420</b>	15.000

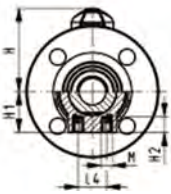
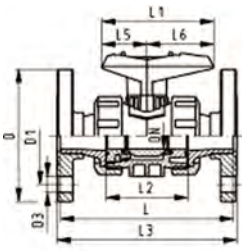


d (mm)	DN (mm)	D (mm)	H (mm)	H1 (mm)	H2 (mm)	L (mm)	L1 (mm)	L2 (mm)	L4 (mm)	L5 (mm)	L6 (mm)	M	z (mm)	closest inch (inch)
16	10	50	79	27	12	93	77	56	25	32	45	M6	67	3/8
20	15	50	57	27	12	95	77	56	25	32	45	M6	66	1/2
25	20	58	67	30	12	109	97	65	25	39	58	M6	77	3/4
32	25	68	73	36	12	119	97	71	25	39	58	M6	83	1
40	32	84	90	44	15	135	128	85	45	54	74	M8	99	1 1/4
50	40	97	97	51	15	147	128	89	45	54	74	M8	105	1 1/2
63	50	124	116	64	15	168	152	101	45	66	87	M8	117	2
75	65	166	149	85	15	233	270	136	70	64	206	M8	167	2 1/2
90	80	200	161	105	15	254	270	141	70	64	206	M8	180	3
110	100	238	178	123	22	301	320	164	120	64	256	M12	215	4





DN10/15 - 50



**SYGEF Standard**  
**Ball valve type 546**  
**With mounting inserts**  
**With fixed flanges PVDF serrated metric**

**Model:**

- Material: PVDF
- For easy installation and removal
- Ball seals PTFE
- Integrated stainless steel mounting inserts
- z-dimension, valve end and union nut are not compatible with type 346
- Overall length EN 558

**Option:**

- Individual configuration of the valve (see diagram)
- Multifunctional module with integrated limit switches
- Pneumatic or electric actuators from +GF+

d (mm)	DN (mm)	PN (bar)	kv-value ( $\Delta p=1$ bar) (l/min)	FPM Code	Weight (kg)
20	15	16	185	<b>175 546 192</b>	0.470
25	20	16	350	<b>175 546 193</b>	0.650
32	25	16	700	<b>175 546 194</b>	0.940
40	32	16	1000	<b>175 546 195</b>	1.489
50	40	16	1600	<b>175 546 196</b>	1.889
63	50	16	3100	<b>175 546 197</b>	3.097

d (mm)	D (mm)	D1 (mm)	D3 (mm)	H (mm)	H1 (mm)	H2 (mm)	L (mm)	L1 (mm)	L2 (mm)	L3 (mm)	L4 (mm)	L5 (mm)	L6 (mm)	M	closest inch (inch)
20	93	65	14	57	27	12	120	77	56	130	25	32	45	M6	½
25	103	75	14	67	30	12	140	97	65	150	25	39	58	M6	¾
32	115	85	14	73	36	12	150	97	71	160	25	39	58	M6	1
40	137	100	18	90	44	15	170	128	85	180	45	54	74	M8	1 ¼
50	147	110	18	97	51	15	190	128	89	200	45	54	74	M8	1 ½
63	162	125	18	116	64	15	220	152	101	230	45	66	87	M8	2



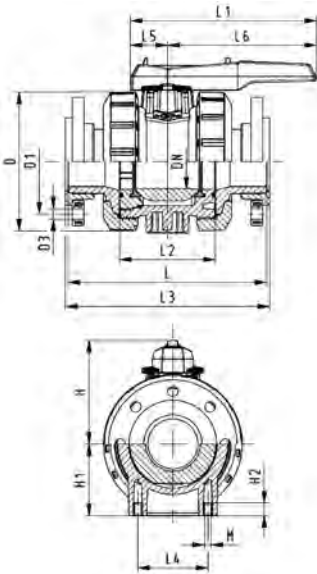
**SYGEF Standard**  
**Ball valve type 546**  
 With mounting inserts  
 With backing flanges PP-st metric

**Model:**

- Material: PVDF
- For easy installation and removal
- Ball seals PTFE
- Integrated stainless steel mounting inserts
- z-dimension, valve end and union nut are **not compatible** with type 346 (DN10/15-50) resp. type 370 (DN65-100)
- Overall length according to EN 558
- Connecting dimension: ISO 7005, EN 1092, BS 4504, DIN 2501

**Option:**

- Individual configuration of the valve (see diagram)
- Multifunctional module with integrated limit switches
- Pneumatic or electric actuators from +GF+



d (mm)	DN (mm)	PN (bar)	kv-value ( $\Delta p=1$ bar) (l/min)	FPM Code	Weight (kg)
75	65	16	5000	<b>175 546 808</b>	11.700
90	80	16	7000	<b>175 546 809</b>	16.000
110	100	16	11000	<b>175 546 810</b>	23.900

d (mm)	D (mm)	D1 (mm)	D3 (mm)	H (mm)	H1 (mm)	L (mm)	L1 (mm)	L2 (mm)	L3 (mm)	L4 (mm)	L5 (mm)	L6 (mm)	M	closest inch (inch)
75	166	145	18	149	85	280	270	136	290	70	64	206	8	2 ½
90	200	160	18	161	105	296	270	141	310	70	64	206	8	3
110	238	180	18	178	123	336	320	164	350	120	64	256	12	4



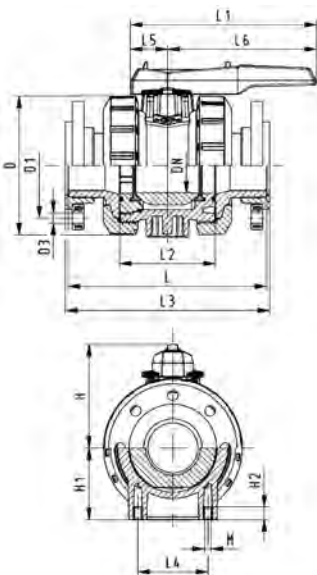
**SYGEF Standard**  
**Ball valve type 546**  
 With mounting inserts  
 With backing flanges PP-st Inch ANSI

**Model:**

- Material: PVDF
- For easy installation and removal
- Ball seals PTFE
- Ball seals PVDF
- Integrated stainless steel mounting inserts
- z-dimension, valve end and union nut are **not compatible** with type 346 (DN10/15-50) resp. type 370 (DN65-100)
- Overall length according to EN 558
- Connecting dimension ANSI/ASME B 16.5 / ASTM D 4024

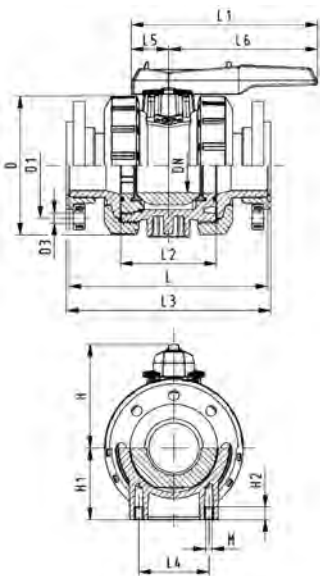
**Option:**

- Individual configuration of the valve (see diagram)
- Multifunctional module with integrated limit switches
- Pneumatic or electric actuators from +GF+



Size (inch)	DN (mm)	PN (bar)	kv-value ( $\Delta p=1$ bar) (l/min)	FPM Code	Weight (kg)
2 ½	65	16	5000	<b>175 546 818</b>	11.700
3	80	16	7000	<b>175 546 819</b>	16.000
4	100	16	11000	<b>175 546 820</b>	23.900

table continued on the next page



Size (inch)	D (mm)	D1 (mm)	D3 (mm)	H (mm)	H1 (mm)	L (mm)	L1 (mm)	L2 (mm)	L3 (mm)	L4 (mm)	L5 (mm)	L6 (mm)	M	closest inch (inch)
2 ½	166	140	19	149	85	280	270	136	290	70	64	206	8	2 ½
3	200	152	19	161	105	296	270	141	310	70	64	206	8	3
4	238	191	19	178	123	336	320	164	350	120	64	256	12	4



DN10/15 - 50

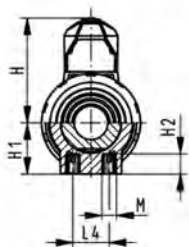
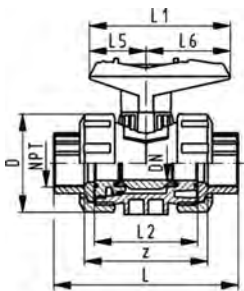
**SYGEF Standard  
Ball valve type 546  
With mounting inserts  
With threaded sockets NPT**

**Model:**

- Material: PVDF
- For easy installation and removal
- Ball seals PTFE
- Integrated stainless steel mounting inserts
- z-dimension, valve end and union nut are not compatible with type 346

**Option:**

- Individual configuration of the valve (see diagram)
- Multifunctional module with integrated limit switches
- Pneumatic or electric actuators from +GF+



NPT (inch)	DN (mm)	PN (bar)	kv-value ( $\Delta p=1$ bar) (l/min)	FPM Code	Weight (kg)
¾	10	10	71	<b>175 546 331</b>	0.205
½	15	10	185	<b>175 546 332</b>	0.205
¾	20	10	350	<b>175 546 333</b>	0.325
1	25	10	700	<b>175 546 334</b>	0.490
1 ¼	32	10	1000	<b>175 546 335</b>	0.820
1 ½	40	10	1600	<b>175 546 336</b>	1.135
2	50	10	3100	<b>175 546 337</b>	2.150

NPT (inch)	D (mm)	H (mm)	H1 (mm)	H2 (mm)	L (mm)	L1 (mm)	L2 (mm)	L4 (mm)	L5 (mm)	L6 (mm)	M	z (mm)
¾	50	57	27	12	96	77	56	25	32	45	M6	69
½	50	57	27	12	99	77	56	25	32	45	M6	64
¾	58	67	30	12	111	97	65	25	39	58	M6	76
1	68	73	36	12	127	97	71	25	39	58	M6	83
1 ¼	84	90	44	15	146	128	85	45	54	74	M8	101
1 ½	97	97	51	15	157	128	89	45	54	74	M8	111
2	124	116	64	15	183	152	101	45	66	87	M8	135



**SYGEF Standard**  
**Ball valve type 546**  
**With lockable handle**  
**With butt fusion spigots IR-Plus metric**



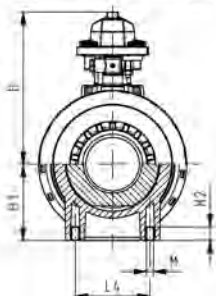
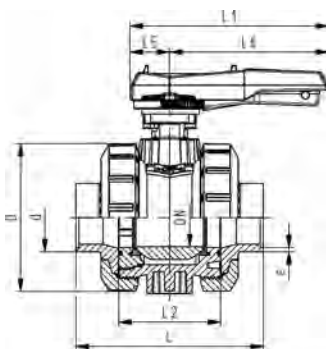
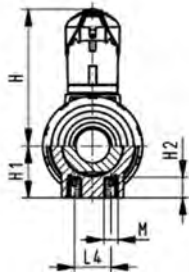
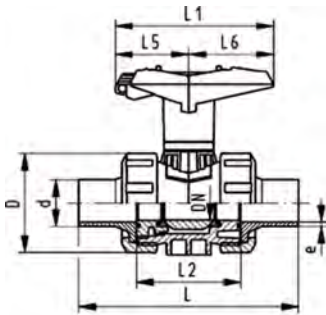
**Model:**

- Material: PVDF
- For easy installation and removal
- Ball seals PTFE
- Integrated stainless steel mounting inserts
- Lockable hand lever with ratchet settings

**Option:**

- Individual configuration of the valve (see diagram)
- Multifunctional module with integrated limit switches
- Pneumatic or electric actuators from +GF+

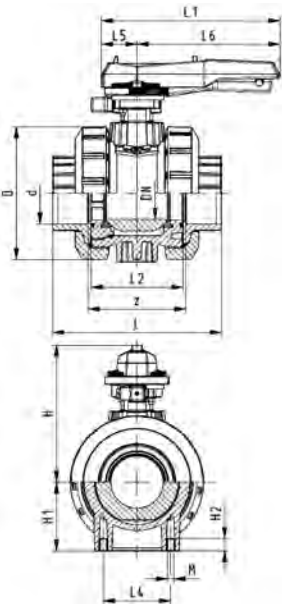
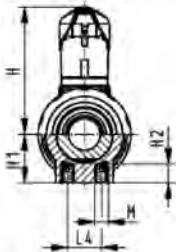
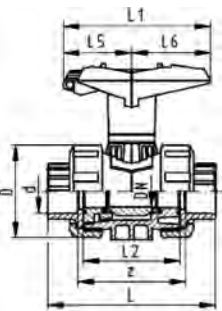
d (mm)	DN (mm)	PN (bar)	kv-value ( $\Delta p=1$ bar) (l/min)	FPM Code	Weight (kg)
20	15	16	185	<b>175 546 442</b>	0.205
25	20	16	350	<b>175 546 443</b>	0.310
32	25	16	700	<b>175 546 444</b>	0.460
40	32	16	1000	<b>175 546 445</b>	0.780
50	40	16	1600	<b>175 546 446</b>	1.110
63	50	16	3100	<b>175 546 447</b>	2.150
75	65	16	5000	<b>175 546 448</b>	7.000
90	80	16	7000	<b>175 546 449</b>	10.200
110	100	16	11000	<b>175 546 450</b>	15.800



d (mm)	D (mm)	H (mm)	H1 (mm)	H2 (mm)	L (mm)	L1 (mm)	L2 (mm)	L4 (mm)	L5 (mm)	L6 (mm)	M	e (mm)	closest inch (inch)
20	50	79	27	12	130	87	56	25	42	45	M6	1.9	½
25	58	88	30	12	143	108	65	25	50	58	M6	1.9	¾
32	68	94	36	12	150	108	71	25	50	58	M6	2.4	1
40	84	113	44	15	171	140	85	45	66	75	M8	2.4	1 ¼
50	97	119	51	15	191	140	89	45	66	75	M8	3.0	1 ½
63	124	141	64	15	220	165	101	45	78	87	M8	3.0	2
75	166	224	85	15	266	270	136	70	64	206	M8	3.6	2 ½
90	200	235	105	15	264	270	141	70	64	206	M8	4.3	3
110	238	245	123	22	301	320	164	120	64	256	M12	5.3	4



DN10/15 - 50



**SYGEF Standard**  
**Ball valve type 546**  
**With lockable handle**  
**With fusion sockets metric**

**Model:**

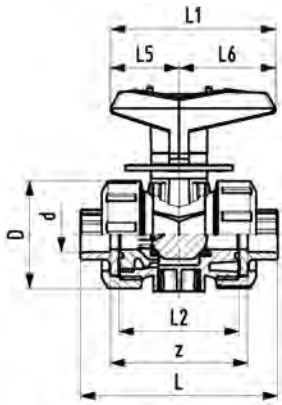
- Material: PVDF
- For easy installation and removal
- Ball seals PTFE
- Integrated stainless steel mounting inserts
- z-dimension, valve end and union nut are not compatible with type 346
- Lockable hand lever with ratchet settings

**Option:**

- Individual configuration of the valve (see diagram)
- Multifunctional module with integrated limit switches
- Pneumatic or electric actuators from +GF+

d (mm)	DN (mm)	PN (bar)	kv-value ( $\Delta p=1$ bar) (l/min)	FPM Code	Weight (kg)
16	10	16	71	<b>175 546 431</b>	0.206
20	15	16	185	<b>175 546 432</b>	0.210
25	20	16	350	<b>175 546 433</b>	0.315
32	25	16	700	<b>175 546 434</b>	0.455
40	32	16	1000	<b>175 546 435</b>	0.785
50	40	16	1600	<b>175 546 436</b>	1.085
63	50	16	3100	<b>175 546 437</b>	1.903
75	65	16	5000	<b>175 546 438</b>	6.800
90	80	16	7000	<b>175 546 439</b>	10.000
110	100	16	11000	<b>175 546 440</b>	15.600

D (mm)	H (mm)	H1 (mm)	H2 (mm)	L (mm)	L1 (mm)	L2 (mm)	L4 (mm)	L5 (mm)	L6 (mm)	M	z (mm)	closest inch (inch)
50	79	27	12	93	77	56	25	32	45	M6	67	3/8
50	79	27	12	95	77	56	25	32	45	M6	66	1/2
58	88	30	12	109	97	65	25	39	58	M6	77	3/4
68	94	36	12	119	97	71	25	39	58	M6	83	1
84	113	44	15	135	128	85	45	54	74	M8	99	1 1/4
97	119	51	15	147	128	89	45	54	74	M8	105	1 1/2
124	141	64	15	168	152	101	45	66	87	M8	117	2
166	224	85	15	233	270	136	70	64	206	M8	167	2 1/2
200	235	105	15	254	270	141	70	64	206	M8	180	3
238	245	123	22	301	320	164	120	64	256	M12	215	4



**SYGEF Standard**  
**Linear ball valve type 546**  
**With mounting inserts**  
**With fusion sockets metric**

**Model:**

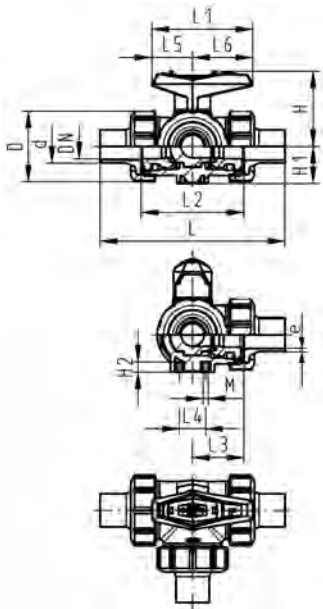
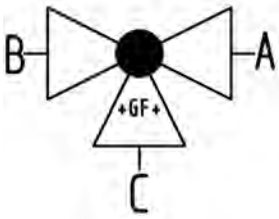
- Material: PVDF
- Excellent control characteristics
- Designed for easy installation and removal
- Ball seals PTFE
- Angle of operation 90° with scale
- Integrated stainless steel mounting inserts

**Option:**

- Individual configuration of the valve (see diagram)
- Pneumatic or electric actuators from +GF+
- Other materials on demand

d (mm)	DN (mm)	PN (bar)	kv-value ( $\Delta p=1$ bar) (l/min)	FPM Code	Weight (kg)
20	15	10	185	<b>800 052 632</b>	0.197
25	20	10	350	<b>800 052 633</b>	0.302
32	25	10	700	<b>800 052 634</b>	0.431
40	32	10	1000	<b>800 052 635</b>	0.760
50	40	10	1600	<b>800 052 636</b>	1.011
63	50	10	3100	<b>800 052 637</b>	1.856

d (mm)	D (mm)	H (mm)	H1 (mm)	L (mm)	L1 (mm)	L2 (mm)	L4 (mm)	L5 (mm)	L6 (mm)	z (mm)	closest inch (inch)
20	50	57	27	95	77	56	25	32	45	66	1/2
25	58	67	30	109	97	65	25	39	58	77	3/4
32	68	73	36	119	97	71	25	39	58	83	1
40	84	90	44	135	128	85	45	54	74	99	1 1/4
50	97	97	51	147	128	89	45	54	74	105	1 1/2
63	124	116	64	168	152	101	45	66	87	117	2



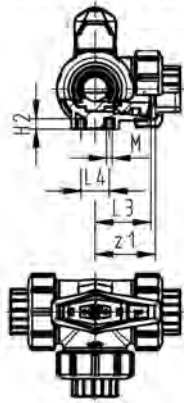
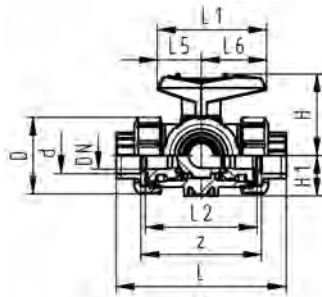
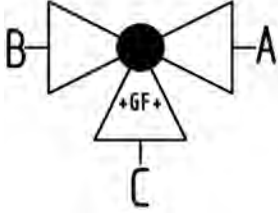
**SYGEF Standard**  
**3-Way ball valve type 543**  
**Horizontal/L-port**  
**With butt fusion spigots IR-Plus metric**

**Model:**

- Material: PVDF
- For easy installation and removal (valve end and union nut are compatible with type 546)
- Ball seals PTFE
- Pneumatic or electric actuator available separately
- Angle of operation 360° without turn limiter
- Turn limiter 90° enclosed, in different positions usable as a clip-on ring
- Integrated stainless steel mounting inserts
- Delivery status A-C opened, see flow scheme

d (mm)	DN (mm)	PN (bar)	kv-value ( $\Delta p=1$ bar) (L/min)	FPM Code	Weight (kg)
20	15	10	75	<b>175 543 052</b>	0.332
25	20	10	150	<b>175 543 053</b>	0.480
32	25	10	280	<b>175 543 054</b>	0.735
40	32	10	480	<b>175 543 055</b>	1.226
50	40	10	620	<b>175 543 056</b>	1.859
63	50	10	1230	<b>175 543 057</b>	3.370

d (mm)	D (mm)	H (mm)	H1 (mm)	H2 (mm)	L (mm)	L1 (mm)	L2 (mm)	L3 (mm)	L4 (mm)	L5 (mm)	L6 (mm)	M (mm)	e (mm)	closest inch (inch)
20	50	57	28	8	146	77	72	36	25	32	45	6	1.9	1/2
25	58	67	32	8	163	97	85	43	25	39	58	6	1.9	3/4
32	68	73	36	8	178	97	98	49	25	39	58	6	2.4	1
40	84	90	45	9	204	128	118	59	45	54	74	8	2.4	1 1/4
50	97	97	51	9	237	128	135	68	45	54	74	8	3.0	1 1/2
63	124	116	65	9	296	152	176	88	45	66	87	8	3.0	2



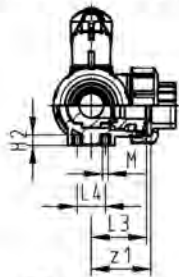
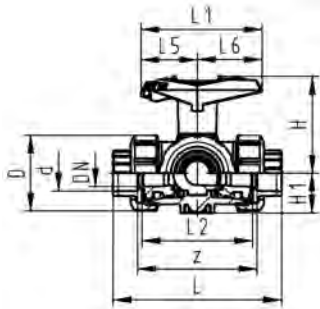
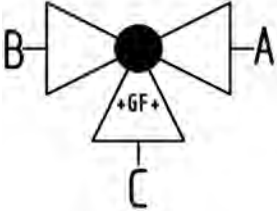
**SYGEF Standard**  
**3-Way ball valve type 543**  
**Horizontal/L-port**  
**With fusion sockets metric**

**Model:**

- Material: PVDF
- For easy installation and removal (valve end and union nut are compatible with type 546)
- Ball seals PTFE
- Pneumatic or electric actuator available separately
- Angle of operation 360° without turn limiter
- Turn limiter 90° enclosed, in different positions usable as a clip-on ring
- Integrated stainless steel mounting inserts
- Delivery status A-C opened, see flow scheme

d (mm)	DN (mm)	PN (bar)	kv-value ( $\Delta p=1$ bar) (L/min)	FPM Code	Weight (kg)
16	10	10	50	<b>175 543 011</b>	0.281
20	15	10	75	<b>175 543 012</b>	0.290
25	20	10	150	<b>175 543 013</b>	0.461
32	25	10	280	<b>175 543 014</b>	0.654
40	32	10	480	<b>175 543 015</b>	1.199
50	40	10	620	<b>175 543 016</b>	1.647
63	50	10	1230	<b>175 543 017</b>	3.227

d (mm)	D (mm)	H (mm)	H1 (mm)	H2 (mm)	L (mm)	L1 (mm)	L2 (mm)	L3 (mm)	L4 (mm)	L5 (mm)	L6 (mm)	M (mm)	z (mm)	z1 (mm)	closest inch (inch)
16	50	57	28	8	110	77	72	36	25	32	45	6	82	41	$\frac{3}{8}$
20	50	57	28	8	112	77	72	36	25	32	45	6	82	41	$\frac{1}{2}$
25	58	67	32	8	129	97	85	43	25	39	58	6	97	49	$\frac{3}{4}$
32	68	73	36	8	146	97	98	49	25	39	58	6	110	55	1
40	84	90	45	9	170	128	118	59	45	54	74	8	132	66	1 $\frac{1}{4}$
50	97	97	51	9	193	128	135	68	45	54	74	8	151	76	1 $\frac{1}{2}$
63	124	116	65	9	244	152	176	88	45	66	87	8	188	94	2



**SYGEF Standard**  
**3-Way ball valve type 543**  
**Horizontal/L-port**  
**With lockable handle**  
**With fusion sockets metric**

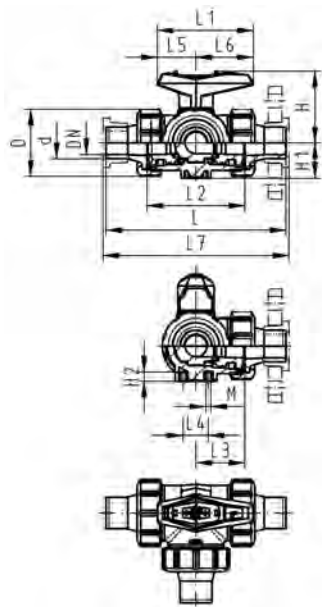
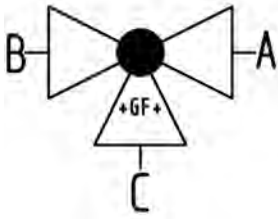
**Model:**

- Material: PVDF
- For easy installation and removal (valve end and union nut are compatible with type 546)
- Ball seals PTFE
- Pneumatic or electric actuator available separately
- Angle of operation 360° without turn limiter
- Integrated stainless steel mounting inserts
- Multifunctional lever red with ratched setting 45°, lockable
- Delivery status A-C opened, see flow scheme

d (mm)	DN (mm)	PN (bar)	kv-value ( $\Delta p=1$ bar) (l/min)	FPM Code	Weight (kg)
16	10	10	50	<b>175 543 641</b>	0.330
20	15	10	75	<b>175 543 642</b>	0.338
25	20	10	150	<b>175 543 643</b>	0.483
32	25	10	280	<b>175 543 644</b>	0.726
40	32	10	480	<b>175 543 645</b>	1.229
50	40	10	620	<b>175 543 646</b>	1.808
63	50	10	1230	<b>175 543 647</b>	3.502

d (mm)	D (mm)	H (mm)	H1 (mm)	H2 (mm)	L (mm)	L1 (mm)	L2 (mm)	L3 (mm)	L4 (mm)	L5 (mm)	L6 (mm)	M (mm)	z (mm)	z1 (mm)	closest inch (inch)
16	50	79	28	8	110	87	72	36	25	42	45	6	82	41	3/8
20	50	79	28	8	112	87	72	36	25	42	45	6	82	41	1/2
25	58	88	32	8	129	108	85	43	25	50	58	6	97	49	3/4
32	68	94	36	8	146	108	98	49	25	50	58	6	110	55	1
40	84	113	45	9	170	141	118	59	45	66	75	8	132	66	1 1/4
50	97	119	51	9	193	141	135	68	45	66	75	8	151	76	1 1/2
63	124	141	65	9	244	165	176	88	45	78	87	8	188	94	2





**SYGEF Standard**  
**3-Way ball valve type 543**  
**Horizontal/L-port**  
**With socket fusion spigots metric**

**Model:**

- Material: PVDF
- For easy installation and removal (valve end and union nut are compatible with type 546)
- Ball seals PTFE
- Pneumatic or electric actuator available separately
- Angle of operation 360° without turn limiter
- Turn limiter 90° enclosed, in different positions usable as a clip-on ring
- Integrated stainless steel mounting inserts
- Delivery status A-C opened, see flow scheme

d (mm)	DN (mm)	PN (bar)	kv-value ( $\Delta p=1$ bar) (L/min)	FPM Code	Weight (kg)
16	10	10	50	<b>175 543 031</b>	0.320
20	15	10	75	<b>175 543 032</b>	0.296
25	20	10	150	<b>175 543 033</b>	0.480
32	25	10	280	<b>175 543 034</b>	0.735
40	32	10	480	<b>175 543 035</b>	1.226
50	40	10	620	<b>175 543 036</b>	1.859
63	50	10	1230	<b>175 543 037</b>	3.624

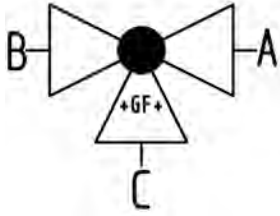
d (mm)	D (mm)	H (mm)	H1 (mm)	H2 (mm)	L (mm)	L1 (mm)	L2 (mm)	L3 (mm)	L4 (mm)	L5 (mm)	L6 (mm)	L7 (mm)	M	closest inch (inch)
16	50	57	28	8	126	77	72	36	25	32	45	133	6	3/8
20	50	57	28	8	136	77	72	36	25	32	45	144	6	1/2
25	58	67	32	8	159	97	85	43	25	39	58	170	6	3/4
32	68	73	36	8	178	97	98	49	25	39	58	191	6	1
40	84	90	45	9	204	128	118	59	45	54	74	223	8	1 1/4
50	97	97	51	9	237	128	135	68	45	54	74	256	8	1 1/2
63	124	116	65	9	296	152	176	88	45	66	87	319	8	2



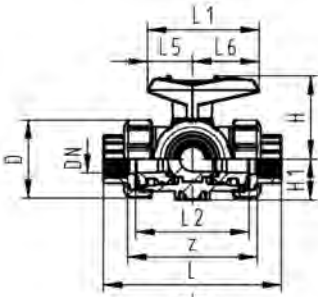
**SYGEF Standard**  
**3-Way ball valve type 543**  
**Horizontal/L-port**  
**With threaded sockets NPT**

**Model:**

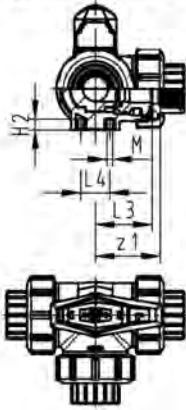
- Material: PVDF
- For easy installation and removal (valve end and union nut are compatible with type 546)
- Ball seals PTFE
- Pneumatic or electric actuator available separately
- Angle of operation 360° without turn limiter
- Turn limiter 90° enclosed, in different positions usable as a clip-on ring
- Integrated stainless steel mounting inserts
- Delivery status A-C opened, see flow scheme

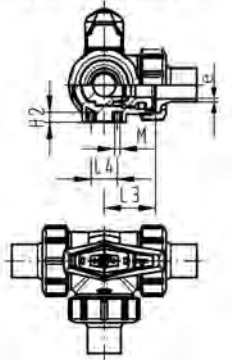
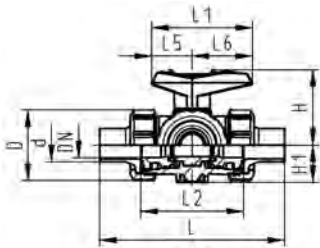
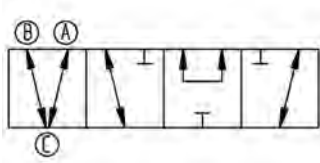
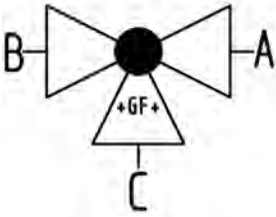


NPT (inch)	DN (mm)	PN (bar)	kv-value ( $\Delta p=1$ bar) (l/min)	FPM Code	Weight (kg)
3/8	10	10	50	<b>175 543 071</b>	0.312
1/2	15	10	75	<b>175 543 072</b>	0.320
3/4	20	10	150	<b>175 543 073</b>	0.461
1	25	10	280	<b>175 543 074</b>	0.704
1 1/4	32	10	480	<b>175 543 075</b>	1.199
1 1/2	40	10	620	<b>175 543 076</b>	1.778
2	50	10	1230	<b>175 543 077</b>	3.462



NPT (inch)	D (mm)	H (mm)	H1 (mm)	H2 (mm)	L (mm)	L1 (mm)	L2 (mm)	L3 (mm)	L4 (mm)	L5 (mm)	L6 (mm)	M (mm)	z (mm)	z1 (mm)
3/8	50	57	28	8	112	77	72	36	25	32	45	6	86	43
1/2	50	57	28	8	114	77	72	36	25	32	45	6	80	40
3/4	58	67	32	8	131	97	85	43	25	39	58	6	95	48
1	68	73	36	8	154	97	98	49	25	39	58	6	110	55
1 1/4	84	90	45	9	180	128	118	59	45	54	74	8	132	66
1 1/2	97	97	51	9	203	128	135	68	45	54	74	8	157	79
2	124	116	65	9	258	152	176	88	45	66	87	8	210	105





**SYGEF Standard**  
**3-Way ball valve type 543**  
**Horizontal/T-port**  
**With butt fusion spigots IR-Plus metric**

**Model:**

- Material: PVDF
- For easy installation and removal (valve end and union nut are compatible with type 546)
- Ball seals PTFE
- Pneumatic or electric actuator available separately
- Angle of operation 360° without turn limiter
- Turn limiter 90° enclosed, in different positions usable as a clip-on ring
- Integrated stainless steel mounting inserts
- Delivery status A-B opened, see flow scheme

d (mm)	DN (mm)	PN (bar)	kv-value ( $\Delta p=1$ bar) (l/min)	FPM Code	Weight (kg)
20	15	10	200	<b>175 543 152</b>	0.321
25	20	10	470	<b>175 543 153</b>	0.478
32	25	10	793	<b>175 543 154</b>	0.655
40	32	10	1290	<b>175 543 155</b>	1.212
50	40	10	1910	<b>175 543 156</b>	1.832
63	50	10	3100	<b>175 543 157</b>	3.566

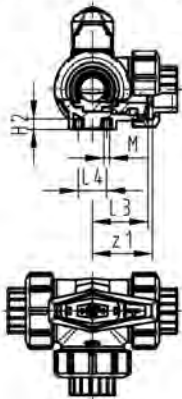
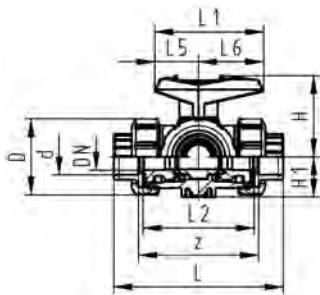
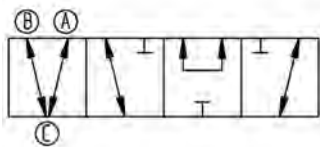
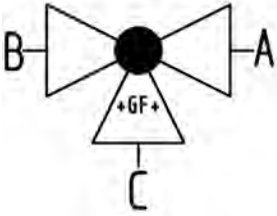
d (mm)	D (mm)	H (mm)	H1 (mm)	H2 (mm)	L (mm)	L1 (mm)	L2 (mm)	L3 (mm)	L4 (mm)	L5 (mm)	L6 (mm)	M (mm)	e (mm)	closest inch (inch)
20	50	57	28	8	146	77	72	36	25	32	45	6	1.9	1/2
25	58	67	32	8	163	97	85	43	25	39	58	6	1.9	3/4
32	68	73	36	8	178	97	98	49	25	39	58	6	2.4	1
40	84	90	45	9	204	128	118	59	45	54	74	8	2.4	1 1/4
50	97	97	51	9	237	128	135	68	45	54	74	8	3.0	1 1/2
63	124	116	65	9	296	152	176	88	45	66	87	8	3.0	2



**SYGEF Standard**  
**3-Way ball valve type 543**  
**Horizontal/T-port**  
**With fusion sockets metric**

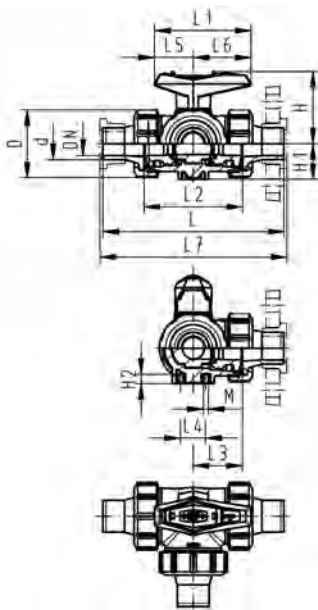
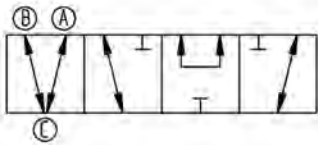
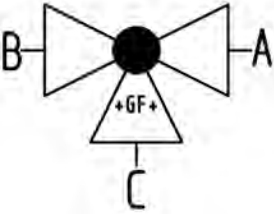
**Model:**

- Material: PVDF
- For easy installation and removal (valve end and union nut are compatible with type 546)
- Ball seals PTFE
- Pneumatic or electric actuator available separately
- Angle of operation 360° without turn limiter
- Turn limiter 90° enclosed, in different positions usable as a clip-on ring
- Integrated stainless steel mounting inserts
- Delivery status A-B-C opened, see flow scheme



d (mm)	DN (mm)	PN (bar)	kv-value ( $\Delta p=1$ bar) (l/min)	FPM Code	Weight (kg)
16	10	10	140	<b>175 543 111</b>	0.283
20	15	10	200	<b>175 543 112</b>	0.288
25	20	10	470	<b>175 543 113</b>	0.417
32	25	10	793	<b>175 543 114</b>	0.644
40	32	10	1290	<b>175 543 115</b>	1.185
50	40	10	1910	<b>175 543 116</b>	1.613
63	50	10	3100	<b>175 543 117</b>	3.405

d (mm)	D (mm)	H (mm)	H1 (mm)	H2 (mm)	L (mm)	L1 (mm)	L2 (mm)	L3 (mm)	L4 (mm)	L5 (mm)	L6 (mm)	M (mm)	z (mm)	z1 (mm)	closest inch (inch)
16	50	57	28	8	110	77	72	36	25	32	45	6	82	41	3/8
20	50	57	28	8	112	77	72	36	25	32	45	6	82	41	1/2
25	58	67	32	8	129	97	85	43	25	39	58	6	97	49	3/4
32	68	73	36	8	146	97	98	49	25	39	58	6	110	55	1
40	84	90	45	9	170	128	118	59	45	54	74	8	132	66	1 1/4
50	97	97	51	9	193	128	135	68	45	54	74	8	151	76	1 1/2
63	124	116	65	9	244	152	176	88	45	66	87	8	188	94	2



**SYGEF Standard**  
**3-Way ball valve type 543**  
**Horizontal/T-port**  
**With socket fusion spigots metric**

**Model:**

- Material: PVDF
- For easy installation and removal (valve end and union nut are compatible with type 546)
- Ball seals PTFE
- Pneumatic or electric actuator available separately
- Angle of operation 360° without turn limiter
- Turn limiter 90° enclosed, in different positions usable as a clip-on ring
- Integrated stainless steel mounting inserts
- Delivery status A-B opened, see flow scheme

d (mm)	DN (mm)	PN (bar)	kv-value ( $\Delta p=1$ bar) (l/min)	FPM Code	Weight (kg)
16	10	10	140	<b>175 543 131</b>	0.287
20	15	10	200	<b>175 543 132</b>	0.330
25	20	10	470	<b>175 543 133</b>	0.478
32	25	10	793	<b>175 543 134</b>	0.726
40	32	10	1290	<b>175 543 135</b>	1.212
50	40	10	1910	<b>175 543 136</b>	1.832
63	50	10	3100	<b>175 543 137</b>	3.566

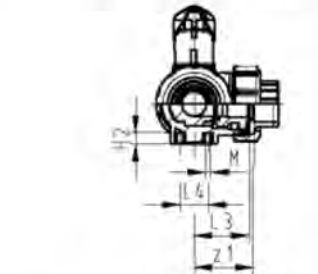
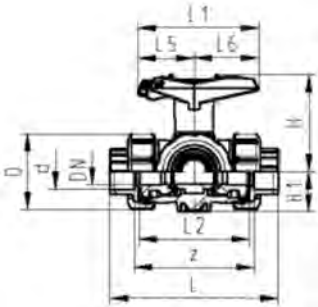
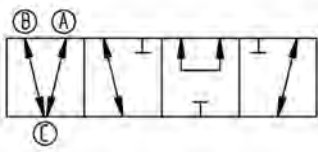
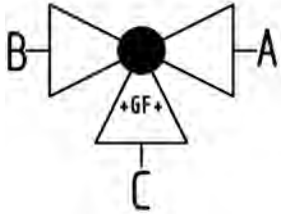
d (mm)	D (mm)	H (mm)	H1 (mm)	H2 (mm)	L (mm)	L1 (mm)	L2 (mm)	L3 (mm)	L4 (mm)	L5 (mm)	L6 (mm)	L7 (mm)	M	closest inch (inch)
16	50	57	28	8	126	77	72	36	25	32	45	133	6	$\frac{3}{8}$
20	50	57	28	8	136	77	72	36	25	32	45	144	6	$\frac{1}{2}$
25	58	67	32	8	159	97	85	43	25	39	58	170	6	$\frac{3}{4}$
32	68	73	36	8	178	97	98	49	25	39	58	191	6	1
40	84	90	45	9	204	128	118	59	45	54	74	223	8	1 $\frac{1}{4}$
50	97	97	51	9	237	128	135	68	45	54	74	256	8	1 $\frac{1}{2}$
63	124	116	65	9	296	152	176	88	45	66	87	319	8	2



**SYGEF Standard**  
**3-Way ball valve type 543**  
**Horizontal/T-port**  
**With lockable handle**  
**With fusion sockets metric**

**Model:**

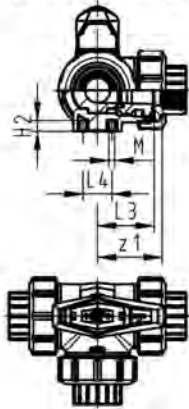
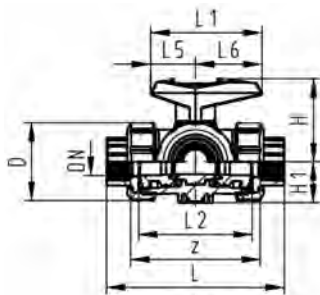
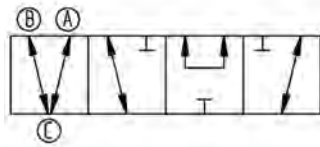
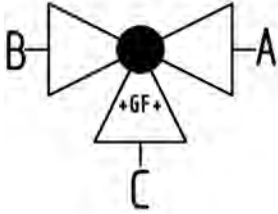
- Material: PVDF
- For easy installation and removal (valve end and union nut are compatible with type 546)
- Ball seals PTFE
- Pneumatic or electric actuator available separately
- Angle of operation 360° without turn limiter
- Turn limiter 90° enclosed, in different positions usable as a clip-on ring
- Integrated stainless steel mounting inserts
- Multifunctional lever red with ratched setting 45°, lockable
- Delivery status A-B-C opened, see flow scheme



d (mm)	DN (mm)	PN (bar)	kv-value ( $\Delta p=1$ bar) (l/min)	FPM Code	Weight (kg)
16	10	10	140	<b>175 543 651</b>	0.329
20	15	10	200	<b>175 543 652</b>	0.337
25	20	10	470	<b>175 543 653</b>	0.480
32	25	10	793	<b>175 543 654</b>	0.717
40	32	10	1290	<b>175 543 655</b>	1.215
50	40	10	1910	<b>175 543 656</b>	1.781
63	50	10	3100	<b>175 543 657</b>	3.444

d (mm)	D (mm)	H (mm)	H1 (mm)	H2 (mm)	L (mm)	L1 (mm)	L2 (mm)	L3 (mm)	L4 (mm)	L5 (mm)	L6 (mm)	M (mm)	z (mm)	z1 (mm)	closest inch (inch)
16	50	79	28	8	110	87	72	36	25	42	45	6	82	41	$\frac{3}{8}$
20	50	79	28	8	112	87	72	36	25	42	45	6	82	41	$\frac{1}{2}$
25	58	88	32	8	129	108	85	43	25	50	58	6	97	49	$\frac{3}{4}$
32	68	94	36	8	146	108	98	49	25	50	58	6	110	55	1
40	84	113	45	9	170	141	118	59	45	66	75	8	132	66	$1 \frac{1}{4}$
50	97	119	51	9	193	141	135	68	45	66	75	8	151	76	$1 \frac{1}{2}$
63	124	141	65	9	244	165	176	88	45	78	87	8	188	94	2





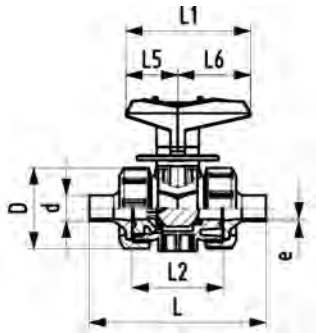
**SYGEF Standard**  
**3-Way ball valve type 543**  
**Horizontal/T-port**  
**With threaded sockets NPT**

**Model:**

- Material: PVDF
- For easy installation and removal (valve end and union nut are compatible with type 546)
- Ball seals PTFE
- Pneumatic or electric actuator available separately
- Angle of operation 360° without turn limiter
- Turn limiter 90° enclosed, in different positions usable as a clip-on ring
- Integrated stainless steel mounting inserts
- Delivery status A-B-C opened, see flow scheme

NPT (inch)	DN (mm)	PN (bar)	kv-value ( $\Delta p=1$ bar) (L/min)	FPM Code	Weight (kg)
3/8	10	10	140	<b>175 543 171</b>	0.311
1/2	15	10	200	<b>175 543 172</b>	0.319
3/4	20	10	470	<b>175 543 173</b>	0.458
1	25	10	793	<b>175 543 174</b>	0.695
1 1/4	32	10	1290	<b>175 543 175</b>	1.185
1 1/2	40	10	1910	<b>175 543 176</b>	1.751
2	50	10	3100	<b>175 543 177</b>	3.405

NPT (inch)	D (mm)	H (mm)	H1 (mm)	H2 (mm)	L (mm)	L1 (mm)	L2 (mm)	L3 (mm)	L4 (mm)	L5 (mm)	L6 (mm)	M (mm)	z (mm)	z1 (mm)
3/8	50	57	28	8	112	77	72	36	25	32	45	6	86	43
1/2	50	57	28	8	114	77	72	36	25	32	45	6	80	40
3/4	58	67	32	8	131	97	85	43	25	39	58	6	95	48
1	68	73	36	8	154	97	98	49	25	39	58	6	110	55
1 1/4	84	90	45	9	180	128	118	59	45	54	74	8	132	66
1 1/2	97	97	51	9	203	128	135	68	45	54	74	8	157	79
2	124	116	65	9	258	152	176	88	45	66	87	8	210	105



**SYGEF Standard**  
**Metering ball valve type 523**  
**With mounting inserts**  
**With butt fusion spigots IR-Plus metric**

**Model:**

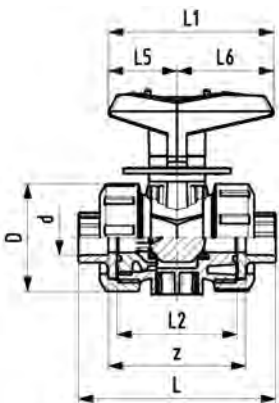
- Material: PVDF
- Micro-doser
- Excellent control characteristics
- Designed for easy installation and removal
- Ball seals PTFE
- Angle of operation 180° with scale
- Integrated stainless steel mounting inserts
- Z-length, end connectors and union nuts **not compatible** to Type 323

**Option:**

- Other materials on demand

d	DN	PN	kv-value	FPM	Weight
(mm)	(mm)	(bar)	( $\Delta p=1$ bar)	Code	(kg)
			(L/min)		
20	15	16	11	<b>175 523 492</b>	0.200

d	D	H	H1	H2	L	L1	L2	L4	L5	L6	M	e	closest
(mm)	(mm)	(mm)	(mm)	(mm)	(mm)	(mm)	(mm)	(mm)	(mm)	(mm)	(mm)	(mm)	inch
													(inch)
20	50	68	27	12	130	77	56	25	32	45	M6	1.9	½



**SYGEF Standard**  
**Metering ball valve type 523**  
**With mounting inserts**  
**With fusion sockets metric**

**Model:**

- Material: PVDF
- Micro-doser
- Excellent control characteristics
- Designed for easy installation and removal
- Ball seals PTFE
- Angle of operation 180° with scale
- Integrated stainless steel mounting inserts
- Z-length, end connectors and union nuts **not compatible** to Type 323

**Option:**

- Other materials on demand

d	DN	PN	kv-value	FPM	Weight
(mm)	(mm)	(bar)	( $\Delta p=1$ bar)	Code	(kg)
			(L/min)		
16	10	16	11	<b>175 523 411</b>	0.200
20	15	16	20	<b>175 523 412</b>	0.200

d	D	H	H1	H2	L	L1	L2	L4	L5	L6	M	z	closest
(mm)	(mm)	(mm)	(mm)	(mm)	(mm)	(mm)	(mm)	(mm)	(mm)	(mm)	(mm)	(mm)	inch
													(inch)
16	50	68	27	12	93	77	56	25	32	45	M6	67	¾
20	50	68	27	12	95	77	56	25	32	45	M6	66	½

## Diaphragm Valve Type 604 / 605

# Packs a punch



The full-plastic diaphragm valve 604 / 605 with integrated pneumatic actuator from GF Piping Systems ensures best flow performance in compact design. With this corrosion free valve we offer an additional product with the most economic price-performance ratio which is suitable for many applications.

### Easy installation and operation

- The compact design enables installation in limited spaces
- No re-torquing needed due to full plastic design without metal parts and screws
- Radially dismountable due to true unions
- Maintenance free
- Same installation length as all GF diaphragm valves and market standard valves
- Integrated optical position feedback
- QR-Code on valve leads to online available product documents

### High safety

- Uniform temperature expansion of plastic/plastic connection prevents leakages
- High chemical resistance due to large material range

### High Flexibility

- Operation options: FC, FO, DA
- Diaphragms available in PTFE, FPM, EPDM for neutral and aggressive media
- Various connection options with true union or spigot version
- Available Standards: Metric, ASTM, BS, JIS
- Best quality and reliability for high number of cycles
- Long lifetime



### Best flow performance

- Linear flow characteristic for simple valve control
- Optimized flow geometry with soft transitions and radii doubles the flow rate
- Suitable for media with low number of particles/solids

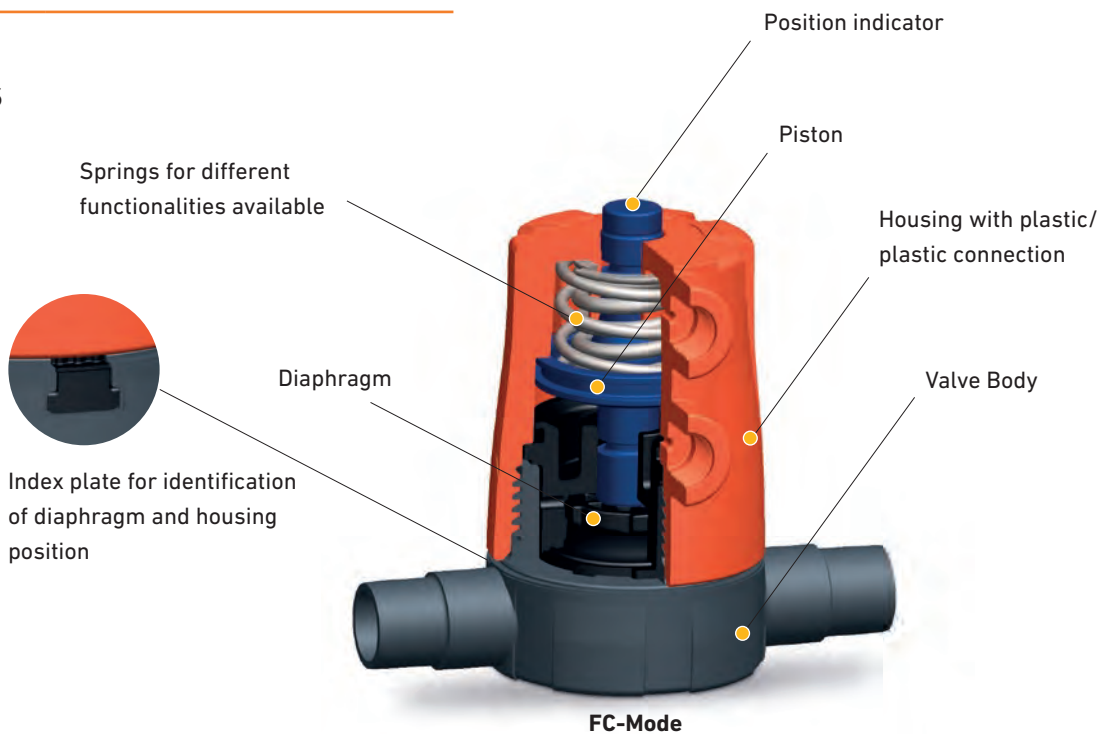
### Applications

- Chemical Process Industry
- Dosing
- Water Treatment

## + Technical Data

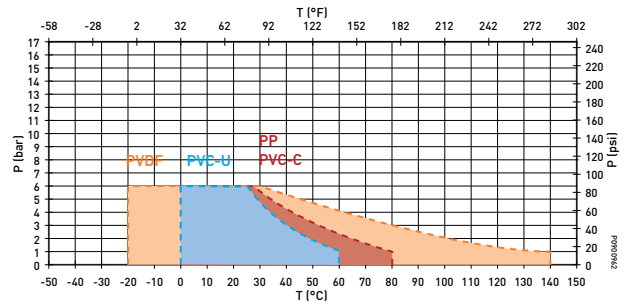
<b>Dimension</b>	DN 15 (1/2")
<b>Pressure Rating</b>	PN 6
<b>Body</b>	PVC-U / CPVC (Polyvinylchlorid) PP-H (Polypropylen) PVDF (Polyvinylidenfluorid) Other materials on request
<b>Diaphragms</b>	PTFE with EPDM Backing Diaphragm PTFE with FPM Backing Diaphragm EPDM FPM
<b>Valve Housing</b>	PP-GF (orange)
<b>Connections</b>	<b>Type 604:</b> Body with true union connection to match all standard GF unions and end-connections  <b>Type 605:</b> Body with cementing resp. welding spigots  Available on request: Various inserts from the GF range
<b>Mounting</b>	Threaded inserts for safe mounting on valve body
<b>Flow</b>	Double flow rate compared to a typical diaphragm valve
<b>Standards</b>	ISO 9393 EN 12266

## + Features



### Pressure-Temperature Diagram

The following Pressure-Temperature Diagram is based on a lifetime of 25 years with water or similar media.



### Diaphragm Valve Type 604 / 605

DN	d	inch	Kv 100 l/min	m <sup>3</sup> /h	Cv100 gpm
15	20	1/2"	125	7,5	0,55

#### Kv Values

KV 100 at pressure differential p = 1 bar

CV100 at pressure differential p = 1 psi

# Type 604 / 605



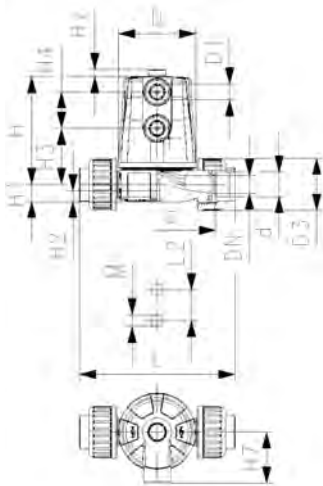
## SYGEF Standard Diaphragm valve type 604 Unions with fusion socket metric

### Model:

- Material: PVDF
- Compact full plastic design without screws
- High flow rate
- Actuator housing with thread for easy maintenance
- Quick opening & closing times
- For easy installation and removal
- Market standard installation length

### Option:

- Individual configuration of the valve (see diagram)



Actuator	d (mm)	DN (mm)	PN (bar)	kv-value ( $\Delta p=1$ bar) (l/min)	FPM Code	Weight (kg)	PTFE/EPDM Code
FC	20	15	6	125	<b>185 604 062</b>	0.45	<b>185 604 032</b>
FO	20	15	6	125	<b>185 604 064</b>	0.42	<b>185 604 034</b>
DA	20	15	6	125	<b>185 604 065</b>	0.40	<b>185 604 035</b>

D	D1_G	D3	H	H1	H2	H3	H4	H7	L	L2	M	z	Lift = Hx
(mm)	(inch)	(mm)	(mm)	(mm)	(mm)	(mm)	(mm)	(mm)	(mm)	(mm)	(mm)	(mm)	(mm)
65	¼	43	89	14	12	46	30	42	128	25	M6	96	6
65	¼	43	89	14	12	46	30	42	128	25	M6	96	6
65	¼	43	89	14	12	46	30	42	128	25	M6	96	6



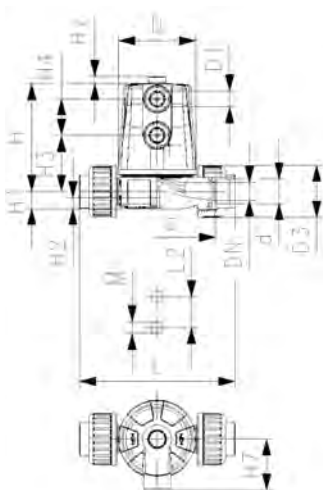
## SYGEF Standard Diaphragm valve type 604 Unions with butt fusion spigot metric

### Model:

- Material: PVDF
- Compact full plastic design without screws
- High flow rate
- Actuator housing with thread for easy maintenance
- Quick opening & closing times
- For easy installation and removal
- Market standard installation length

### Option:

- Individual configuration of the valve (see diagram)



Actuator	d (mm)	DN (mm)	PN (bar)	kv-value ( $\Delta p=1$ bar) (l/min)	FPM Code	Weight (kg)	PTFE/EPDM Code
FC	20	15	6	125	<b>185 604 162</b>	0.45	<b>185 604 132</b>
FO	20	15	6	125	<b>185 604 164</b>	0.42	<b>185 604 134</b>
DA	20	15	6	125	<b>185 604 165</b>	0.40	<b>185 604 135</b>

D	D1_G	D3	H	H1	H2	H3	H4	H7	L	L2	M	z	Lift = Hx
(mm)	(inch)	(mm)	(mm)	(mm)	(mm)	(mm)	(mm)	(mm)	(mm)	(mm)	(mm)	(mm)	(mm)
65	¼	43	89	14	12	46	30	42	196	25	M6	100	6
65	¼	43	89	14	12	46	30	42	196	25	M6	100	6
65	¼	43	89	14	12	46	30	42	196	25	M6	100	6



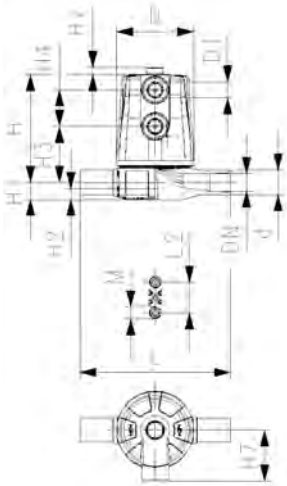
**SYGEF Standard**  
**Diaphragm valve type 605**  
 With butt fusion spigot metric

**Model:**

- Material: PVDF
- Compact full plastic design without screws
- High flow rate
- Actuator housing with thread for easy maintenance
- Quick opening & closing times
- For easy installation and removal
- Market standard installation length

**Option:**

- Individual configuration of the valve (see diagram)



Actuator	d (mm)	DN (mm)	PN (bar)	kv-value ( $\Delta p=1$ bar) (l/min)	FPM Code	Weight (kg)	PTFE/EPDM Code
FC	20	15	6	125	<b>185 605 162</b>	0.37	<b>185 605 132</b>
FO	20	15	6	125	<b>185 605 164</b>	0.34	<b>185 605 134</b>
DA	20	15	6	125	<b>185 605 165</b>	0.35	<b>185 605 135</b>

D	D1_G	D3	H	H1	H2	H3	H4	H7	L	L2	e	M	Lift = Hx
(mm)	(inch)	(mm)	(mm)	(mm)	(mm)	(mm)	(mm)	(mm)	(mm)	(mm)	(mm)		(mm)
65	¼	43	89	14	12	46	30	42	124	25	1.9	M6	6
65	¼	43	89	14	12	46	30	42	124	25	1.9	M6	6
65	¼	43	89	14	12	46	30	42	124	25	1.9	M6	6

## Diaphragm valves



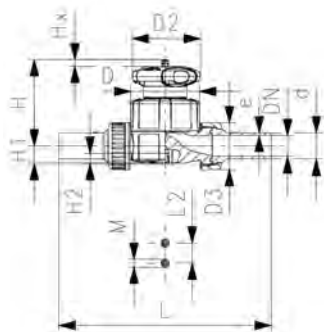
**SYGEF Standard**  
**Diaphragm valve type 514**  
 With butt fusion spigots metric

**Model:**

- Material: PVDF
- Double flow rate compared to predecessor
- One housing nut replaces four screws
- Handwheel with built-in locking mechanism
- For easy installation and removal
- Short overall length

**Option:**

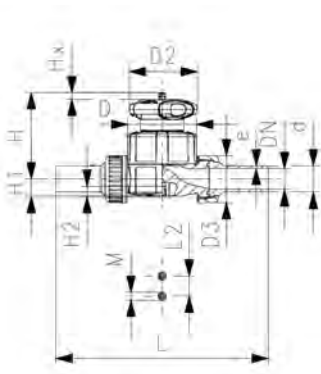
- Individual configuration of the valve (see diagram)
- Self adjusting multifunctional module with integrated limit switches



d	DN	PN	kv-value	PTFE/EPDM	Weight	PTFE/FPM
(mm)	(mm)	(bar)	( $\Delta p=1$ bar)	Code	(kg)	Code
			(l/min)			
20	15	10	125	<b>185 514 132</b>	0.381	<b>185 514 152</b>
25	20	10	271	<b>185 514 133</b>	0.555	<b>185 514 153</b>
32	25	10	481	<b>185 514 134</b>	1.048	<b>185 514 154</b>
40	32	10	759	<b>185 514 135</b>	1.401	<b>185 514 155</b>
50	40	10	1263	<b>185 514 136</b>	2.036	<b>185 514 156</b>
63	50	10	1728	<b>185 514 137</b>	3.395	<b>185 514 157</b>

table continued on the next page





d (mm)	D (mm)	D2 (mm)	D3 (mm)	H (mm)	H1 (mm)	H2 (mm)	L (mm)	L2 (mm)	M	e (mm)	Lift = Hx (mm)	closest inch (inch)
20	65	65	43	73	14	12	196	25	M6	1.9	7	½
25	80	65	53	81	18	12	221	25	M6	1.9	10	¾
32	88	87	60	107	22	12	234	25	M6	2.4	13	1
40	101	87	74	115	26	15	260	45	M8	2.4	15	1 ¼
50	117	135	82	148	32	15	284	45	M8	3.0	19	1 ½
63	144	135	100	166	39	15	321	45	M8	3.0	25	2



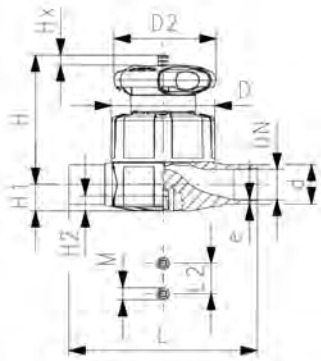
**SYGEF Standard**  
**Diaphragm valve type 515**  
**With butt fusion spigots metric**

**Model:**

- Material: PVDF
- Double flow rate compared to predecessor
- One housing nut replaces four screws
- Handwheel with built-in locking mechanism
- Overall length EN 558

**Option:**

- Individual configuration of the valve (see diagram)
- Self adjusting multifunctional module with integrated limit switches



d (mm)	PTFE/EPDM Code	Weight (kg)
20	<b>185 515 132</b>	0.280
25	<b>185 515 133</b>	0.514
32	<b>185 515 134</b>	0.677
40	<b>185 515 135</b>	0.942
50	<b>185 515 136</b>	2.492
63	<b>185 515 137</b>	2.465

d (mm)	D (mm)	D2 (mm)	H (mm)	H1 (mm)	H2 (mm)	L (mm)	L2 (mm)	M	e (mm)	Lift = Hx (mm)	closest inch (inch)
20	65	65	73	14	12	124	25	M6	1.9	7	½
25	80	65	81	18	12	144	25	M6	1.9	10	¾
32	88	87	107	22	12	155	25	M6	2.4	13	1
40	101	87	115	26	15	176	45	M8	2.4	15	1 ¼
50	117	135	148	32	15	193	45	M8	3.0	19	1 ½
63	144	135	166	39	15	223	45	M8	3.0	25	2



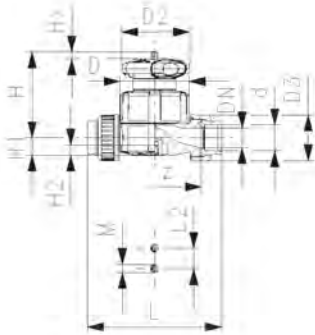
**SYGEF Standard**  
**Diaphragm valve type 514**  
**With fusion sockets metric**

**Model:**

- Material: PVDF
- Double flow rate compared to predecessor
- One housing nut replaces four screws
- Handwheel with built-in locking mechanism
- For easy installation and removal
- Short overall length

**Option:**

- Individual configuration of the valve (see diagram)
- Self adjusting multifunctional module with integrated limit switches



d (mm)	DN (mm)	PN (bar)	kv-value ( $\Delta p=1$ bar) (l/min)	PTFE/EPDM Code	Weight (lb)	PTFE/FPM Code	Weight (kg)
20	15	10	125	<b>185 514 032</b>	0.789	<b>185 514 052</b>	0.349
25	20	10	271	<b>185 514 033</b>	1.204	<b>185 514 053</b>	0.546
32	25	10	481	<b>185 514 034</b>	2.136	<b>185 514 054</b>	0.969
40	32	10	759	<b>185 514 035</b>	3.710	<b>185 514 055</b>	1.683
50	40	10	1263	<b>185 514 036</b>	6.464	<b>185 514 056</b>	2.932
63	50	10	1728	<b>185 514 037</b>	6.603	<b>185 514 057</b>	2.995

d (mm)	D (mm)	D2 (mm)	D3 (mm)	H (mm)	H1 (mm)	H2 (mm)	L (mm)	L2 (mm)	M	z (mm)	Lift = Hx (mm)	closest inch (inch)
20	65	65	43	73	14	12	128	25	M6	100	7	½
25	80	65	53	81	18	12	150	25	M6	118	10	¾
32	88	87	60	107	22	12	162	25	M6	126	13	1
40	101	87	74	115	26	15	184	45	M8	144	15	1 ¼
50	117	135	82	148	32	15	210	45	M8	164	19	1 ½
63	144	135	100	166	39	15	248	45	M8	194	25	2



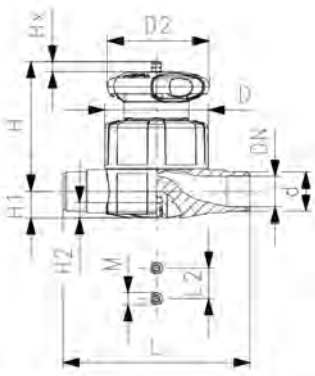
**SYGEF Standard**  
**Diaphragm valve type 515**  
**With socket fusion spigots metric**

**Model:**

- Material: PVDF
- Double flow rate compared to predecessor
- One housing nut replaces four screws
- Handwheel with built-in locking mechanism
- Overall length EN 558

**Option:**

- Individual configuration of the valve (see diagram)
- Self adjusting multifunctional module with integrated limit switches



d (mm)	PTFE/EPDM Code	Weight (kg)	D (mm)	D2 (mm)	H (mm)	H1 (mm)	H2 (mm)	L (mm)	L2 (mm)	M	Lift = Hx (mm)	closest inch (inch)
20	<b>185 515 032</b>	0.273	65	65	73	14	12	124	25	M6	7	½
25	<b>185 515 033</b>	0.426	80	65	81	18	12	144	25	M6	10	¾
32	<b>185 515 034</b>	0.684	88	87	107	22	12	154	25	M6	13	1
40	<b>185 515 035</b>	1.415	101	87	115	26	15	174	45	M8	15	1 ¼
50	<b>185 515 036</b>	1.652	117	135	148	32	15	194	45	M8	19	1 ½
63	<b>185 515 037</b>	2.569	144	135	166	39	15	223	45	M8	25	2



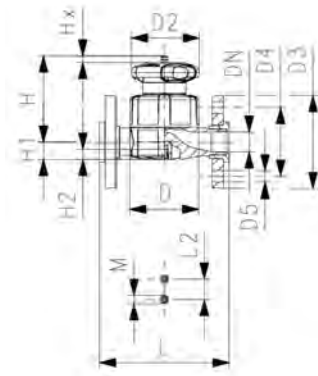
**SYGEF Standard**  
**Diaphragm valve type 517**  
**With backing flanges PP-V metric/BS**

**Model:**

- Material: PVDF
- Double flow rate compared to predecessor
- One housing nut replaces four screws
- Handwheel with built-in locking mechanism
- Joining faces flat/serrated
- Overall length EN 558
- Connecting dimension: ISO 7005 PN 10, EN 1092 PN 10, DIN 2501 PN 10, BS 4504 PN 10

**Option:**

- Individual configuration of the valve (see diagram)
- Self adjusting multifunctional module with integrated limit switches



d (mm)	DN (mm)	Size (inch)	PN (bar)	kv-value ( $\Delta p=1$ bar) (L/min)	PTFE/EPDM Code	Weight (kg)	PTFE/FPM Code	Weight (kg)
20	15	½	10	125	<b>185 517 132</b>	0.586	<b>185 517 152</b>	0.586
25	20	¾	10	271	<b>185 517 133</b>	0.796	<b>185 517 153</b>	0.796
32	25	1	10	481	<b>185 517 134</b>	1.064	<b>185 517 154</b>	1.064
40	32	1 ¼	10	759	<b>185 517 135</b>	2.001	<b>185 517 155</b>	2.001
50	40	1 ½	10	1263	<b>185 517 136</b>	2.369	<b>185 517 156</b>	2.369
63	50	2	10	1728	<b>185 517 137</b>	3.586	<b>185 517 157</b>	3.586

D	D2	D3	D4	D5	H	H1	H2	L	L2	M	Lift = Hx (mm)
(mm)	(mm)	(mm)	(mm)	(mm)	(mm)	(mm)	(mm)	(mm)	(mm)		(mm)
65	65	95	65	14	73	14	12	130	25	M6	7
80	65	105	75	14	81	18	12	150	25	M6	10
88	87	115	85	14	107	22	12	160	25	M6	13
101	87	140	100	18	115	26	15	180	45	M8	15
117	135	150	110	18	148	32	15	200	45	M8	19
144	135	165	125	18	166	39	15	230	45	M8	25



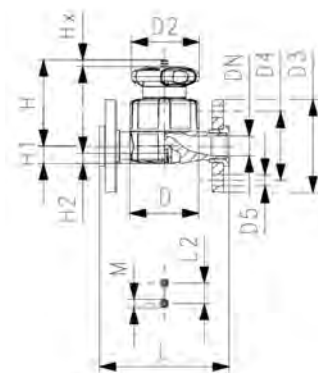
**SYGEF Standard**  
**Diaphragm valve type 517**  
**With backing flanges PP-V Inch ANSI**

**Model:**

- Material: PVDF
- Double flow rate compared to predecessor
- One housing nut replaces four screws
- Handwheel with built-in locking mechanism
- Jointing face serrated
- Overall length EN 558
- Connecting dimension: ANSI/ASME B 16.5 class 150, ASTM D 4024, BS 1560, BS EN 1759

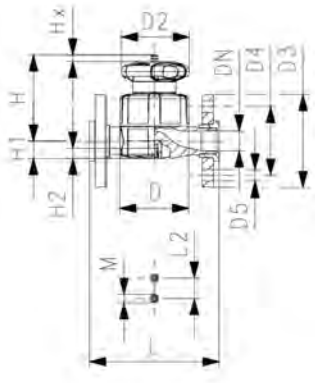
**Option:**

- Individual configuration of the valve (see diagram)
- Self adjusting multifunctional module with integrated limit switches



Size (inch)	DN (mm)	PN (bar)	kv-value ( $\Delta p=1$ bar) (L/min)	PTFE/EPDM Code	Weight (kg)	PTFE/FPM Code
½	15	10	125	<b>185 517 732</b>	0.586	<b>185 517 752</b>
¾	20	10	271	<b>185 517 733</b>	0.796	<b>185 517 753</b>
1	25	10	481	<b>185 517 734</b>	1.050	<b>185 517 754</b>
1 ¼	32	10	759	<b>185 517 735</b>	2.001	<b>185 517 755</b>
1 ½	40	10	1263	<b>185 517 736</b>	3.147	<b>185 517 756</b>
2	50	10	1728	<b>185 517 737</b>	3.514	<b>185 517 757</b>

table continued on the next page



Size (inch)	D (mm)	D2 (mm)	D3 (mm)	D4 (mm)	D5 (mm)	H (mm)	H1 (mm)	H2 (mm)	L (mm)	L2 (mm)	M	Lift = Hx (mm)
½	65	65	95	60	16	73	14	12	130	25	M6	7
¾	80	65	105	70	16	81	18	12	150	25	M6	10
1	88	87	115	79	16	107	22	12	160	25	M6	13
1 ¼	101	87	140	89	16	115	26	15	180	45	M8	15
1 ½	117	135	150	98	16	148	32	15	200	45	M8	19
2	144	135	165	121	19	166	39	15	230	45	M8	25

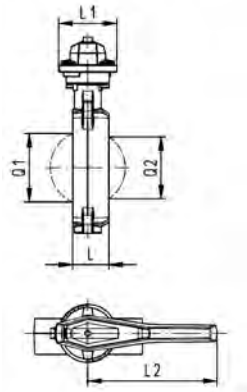
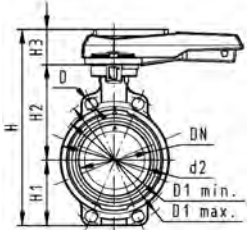
# Butterfly valves



## SYGEF Standard Butterfly valve type 567 Hand lever with ratchet settings

### Model:

- Material: PVDF
- Overall length according to EN 558, ISO 5752
- Connecting dimension: ISO 7005 PN 10, EN 1092 PN 10, DIN 2501 PN 10, ANSI/ASME B 16.5 Class 150, BS 1560: 1989, BS 4504, JIS B 2220
- We recommend for the dimensions DN250 and DN300 only 6 bar maximum system pressure for the hand lever version



d (mm)	DN (mm)	Size (inch)	PN (bar)	kv-value ( $\Delta p=1$ bar) (l/min)	FPM Code	PTFE Code	Weight (kg)
63	50	2	10	1470	<b>175 567 002</b>	<b>175 567 202</b>	1.080
75	65	2 ½	10	2200	<b>175 567 003</b>	<b>175 567 203</b>	1.192
90	80	3	10	3000	<b>175 567 004</b>	<b>175 567 204</b>	1.992
110	100	4	10	6500	<b>175 567 005</b>	<b>175 567 205</b>	2.072
140	125	5	10	11500	<b>175 567 006</b>	<b>175 567 206</b>	2.667
160	150	6	10	16600	<b>175 567 007</b>	<b>175 567 207</b>	3.887
225	200	8	10	39600	<b>175 567 008</b>	<b>175 567 208</b>	7.242
280	250	10	10	55200	<b>175 567 009</b>	<b>175 567 209</b>	14.623
315	300	12	10	80000	<b>175 567 010</b>	<b>175 567 210</b>	19.513

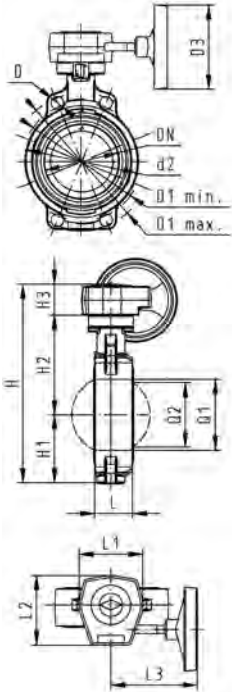
d (mm)	d2 (mm)	D (mm)	D1 min. (mm)	D1 max. (mm)	H (mm)	H1 (mm)	H2 (mm)	H3 (mm)	L (mm)	L1 (mm)	L2 (mm)	Q1 (mm)	Q2 (mm)
63	104	19	120	125	264	77	134	54	45	106	205	40	
75	115	19	140	145	277	83	140	54	46	106	205	54	35
90	131	19	150	160	289	89	146	54	49	106	205	67	50
110	161	19	175	191	325	104	167	55	56	106	255	88	74
140	187	23	210	216	352	117	181	55	64	106	255	113	97
160	215	24	241	241	373	130	189	55	72	106	255	139	123
225	267	23	290	295	435	158	210	67	73	140	408	178	169
280	329	25	353	362	554	205	264	85	113	149	408	210	207
315	379	25	400	432	598	228	285	85	113	149	408	256	253



**SYGEF Standard**  
**Butterfly valve type 567**  
**Reduction gear with handwheel**

**Model:**

- Material: PVDF
- Overall length according to EN 558, ISO 5752
- Connecting dimension: ISO 7005 PN 10, EN 1092 PN 10, DIN 2501 PN 10, ANSI/ASME B 16.5 Class 150, BS 1560: 1989, BS 4504, JIS B 2220



d (mm)	DN (mm)	Size (inch)	PN (bar)	kv-value ( $\Delta p=1$ bar) (l/min)	FPM Code	Weight (kg)	PTFE Code	Weight (kg)
63	50	2	10	1470	<b>175 567 022</b>	3.118	<b>175 567 222</b>	3.118
75	65	2 ½	10	2200	<b>175 567 023</b>	3.230	<b>175 567 223</b>	3.230
90	80	3	10	3000	<b>175 567 024</b>	3.410	<b>175 567 224</b>	3.534
110	100	4	10	6500	<b>175 567 025</b>	4.062	<b>175 567 225</b>	4.062
140	125	5	10	11500	<b>175 567 026</b>	4.657	<b>175 567 226</b>	4.657
160	150	6	10	16600	<b>175 567 027</b>	5.974	<b>175 567 227</b>	5.877
225	200	8	10	39600	<b>175 567 028</b>	7.797	<b>175 567 228</b>	7.810
280	250	10	10	55200	<b>175 567 029</b>	15.441	<b>175 567 229</b>	15.410
315	300	12	10	80000	<b>175 567 030</b>	20.763	<b>175 567 230</b>	36.000

d (mm)	d2 (mm)	D (mm)	D1 min. (mm)	D1 max. (mm)	D3 (mm)	H (mm)	H1 (mm)	H2 (mm)	H3 (mm)	L (mm)	L1 (mm)	L2 (mm)	L3 (mm)	Q1 (mm)
63	104	19	120	125	150	278	77	134	50	45	110	120	155	40
75	115	19	140	145	150	291	83	140	50	46	110	120	155	54
90	131	19	150	160	150	303	89	146	50	49	110	120	155	67
110	160	19	175	191	150	339	104	167	50	56	110	120	155	88
140	187	23	210	216	150	365	117	181	50	64	110	120	155	113
160	215	24	241	241	150	387	130	189	50	72	110	120	155	139
225	267	23	290	295	150	436	158	210	50	73	110	120	155	178
280	329	25	353	362	200	529	205	264	55	113	130	140	200	210
315	379	25	400	432	200	573	228	285	55	113	130	140	200	256

d (mm)	Q2 (mm)
63	
75	35
90	50
110	74
140	97
160	123
225	169
280	207
315	253

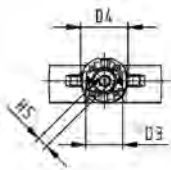
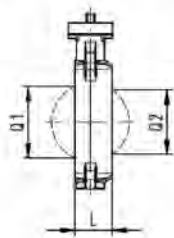
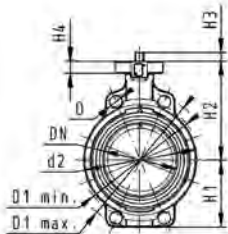




**SYGEP Standard**  
**Butterfly valve type 567**  
**Bare shaft**

**Model:**

- Material: PVDF
- Overall length according to EN 558, ISO 5752
- Connecting dimension: ISO 7005 PN 10, EN 1092 PN 10, DIN 2501 PN 10, ANSI/ASME B 16.5 Class 150, BS 1560: 1989, BS 4504, JIS B 2220
- Interface F07 for the dimensions DN50-200 according to DIN/ISO 5211
- Interface F10 for the dimensions DN250-300 according to DIN/ISO 5211



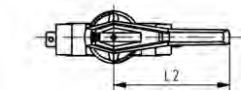
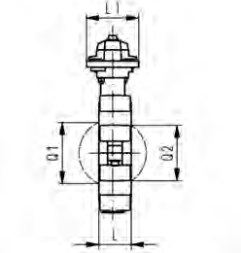
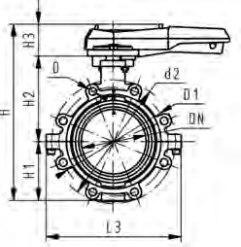
d (mm)	DN (mm)	Size (inch)	PN (bar)	kv-value ( $\Delta p=1$ bar) (l/min)	FPM Code	Weight (kg)	PTFE Code	Weight (kg)
63	50	2	10	1470	<b>175 567 822</b>	0.858	<b>175 567 842</b>	0.858
75	65	2 ½	10	2200	<b>175 567 823</b>	0.970	<b>175 567 843</b>	0.970
90	80	3	10	3000	<b>175 567 824</b>	1.162	<b>175 567 844</b>	1.150
110	100	4	10	6500	<b>175 567 825</b>	1.802	<b>175 567 845</b>	1.802
140	125	5	10	11500	<b>175 567 826</b>	2.397	<b>175 567 846</b>	2.397
160	150	6	10	16600	<b>175 567 827</b>	3.617	<b>175 567 847</b>	3.617
225	200	8	10	39600	<b>175 567 828</b>	5.738	<b>175 567 848</b>	5.738
280	250	10	10	55200	<b>175 567 829</b>	12.673	<b>175 567 849</b>	12.673
315	300	12	10	80000	<b>175 567 830</b>	17.563	<b>175 567 850</b>	17.563

d (mm)	d2 (mm)	D (mm)	D1 min. (mm)	D1 max. (mm)	D3 (mm)	D4 (mm)	H (mm)	H1 (mm)	H2 (mm)	H3 (mm)	H4 (mm)	H5 (mm)	L (mm)	Q1 (mm)
63	104	19	120	125	70	90	222	77	134	27	23	11	45	40
75	115	19	140	145	70	90	235	83	140	27	23	11	46	54
90	131	19	150	160	70	90	247	89	146	27	23	11	49	67
110	161	19	175	191	70	90	287	104	167	16	23	14	56	88
140	187	23	210	216	70	90	313	117	181	16	23	14	64	113
160	215	24	241	241	70	90	335	130	189	19	23	17	72	139
225	267	23	290	295	70	90	387	158	210	19	23	17	73	178
280	329	25	353	362	102	125	509	205	264	40	23	22	113	210
315	379	25	400	432	102	125	553	228	285	40	23	22	113	256

d (mm)	Q2 (mm)
63	
75	35
90	50
110	74
140	97
160	123
225	169
280	207
315	253

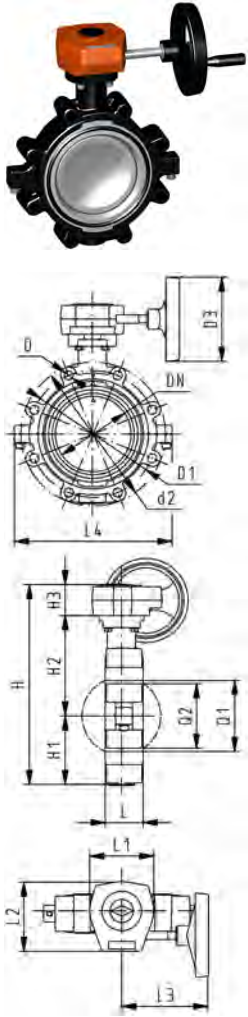


**SYGEF Standard**  
**Lugstyle butterfly valve type 568**  
**Hand lever with ratchet settings**



d (mm)	Size (inch)	DN (mm)	PN (bar)	kv-value ( $\Delta p=1$ bar) (l/min)	FPM Code	PTFE Code	Weight (lb)
63	2	50	10	1470	<b>175 568 002</b>	<b>175 568 202</b>	6.989
75	2 ½	65	10	2200	<b>175 568 003</b>	<b>175 568 203</b>	7.789
90	3	80	10	3000	<b>175 568 004</b>	<b>175 568 204</b>	10.119
110	4	100	10	6500	<b>175 568 005</b>	<b>175 568 205</b>	13.603
140	5	125	10	11500	<b>175 568 006</b>	<b>175 568 206</b>	17.970
160	6	150	10	16600	<b>175 568 007</b>	<b>175 568 207</b>	22.862
225	8	200	10	39600	<b>175 568 008</b>	<b>175 568 208</b>	36.423

d (mm)	d2 (mm)	D (mm)	D1 (mm)	H (mm)	H1 (mm)	H2 (mm)	H3 (mm)	L (mm)	L1 (mm)	L2 (mm)	L3 (mm)	Q1 (mm)	Q2 (mm)
63	150	M16	125	265	77	134	54	45	106	205	150	40	
75	170	M16	145	277	83	140	54	46	106	205	160	54	35
90	184	M16	160	289	89	146	54	49	106	205	205	67	50
110	216	M16	180	326	104	167	55	56	106	255	244	88	74
140	246	M16	210	353	117	181	55	64	106	255	272	113	97
160	273	M20	240	374	130	189	55	72	106	255	297	139	123
225	334	M20	295	435	158	210	67	73	140	408	360	178	169



**SYGEF Standard**  
**Lugstyle butterfly valve type 568**  
**Reduction gear with handwheel**

d (mm)	Size (inch)	DN (mm)	PN (bar)	kv-value ( $\Delta p=1$ bar) (l/min)	FPM Code	PTFE Code	Weight (lb)
63	2	50	10	1470	<b>175 568 022</b>	<b>175 568 222</b>	11.482
75	2 ½	65	10	2200	<b>175 568 023</b>	<b>175 568 223</b>	12.282
90	3	80	10	3000	<b>175 568 024</b>	<b>175 568 224</b>	14.612
110	4	100	10	6500	<b>175 568 025</b>	<b>175 568 225</b>	17.990
140	5	125	10	11500	<b>175 568 026</b>	<b>175 568 226</b>	22.357
160	6	150	10	16600	<b>175 568 027</b>	<b>175 568 227</b>	27.249
225	8	200	10	39600	<b>175 568 028</b>	<b>175 568 228</b>	39.626

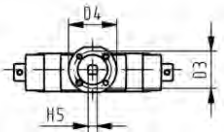
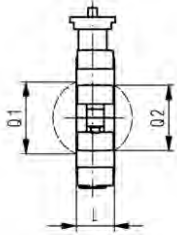
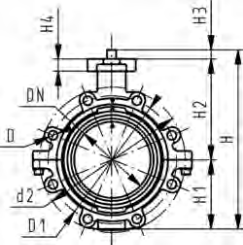
d (mm)	d2 (mm)	D	D1 (mm)	D3 (mm)	H (mm)	H1 (mm)	H2 (mm)	H3 (mm)	L (mm)	L1 (mm)	L2 (mm)	L3 (mm)	L4 (mm)	Q1 (mm)	Q2 (mm)
63	150	M16	125	150	279	77	134	50	45	110	120	155	150	40	
75	170	M16	145	150	291	83	140	50	46	110	120	155	160	54	35
90	184	M16	160	150	303	89	146	50	49	110	120	155	205	67	50
110	216	M16	180	150	339	104	167	50	56	110	120	155	244	88	74
140	246	M16	210	150	366	117	181	50	64	110	120	155	272	113	97
160	273	M20	240	150	387	130	189	50	72	110	120	155	297	139	123
225	334	M20	295	150	436	158	210	50	73	110	120	155	360	178	169



**SYGEF Standard**  
**Lugstyle butterfly valve type 568**  
**Bare shaft**

**Model:**

- Material: PVDF
- Outer body in GGG-40.3 epoxy-coated
- Overall length according to EN 558, ISO 5752
- Connecting dimension: ISO 7005 PN10, EN 1092 PN10, DIN 2501 PN10
- Interface F07 according to DIN/ISO 5211



d	Size	DN	PN	kv-value	FPM	Weight	PTFE	Weight
(mm)	(inch)	(mm)	(bar)	( $\Delta p=1$ bar)	Code	(kg)	Code	(kg)
				(l/min)				
63	2	50	10	1470	<b>175 568 822</b>	2.948	<b>175 568 842</b>	2.948
75	2 ½	65	10	2200	<b>175 568 823</b>	3.311	<b>175 568 843</b>	3.311
90	3	80	10	3000	<b>175 568 824</b>	4.368	<b>175 568 844</b>	4.368
110	4	100	10	6500	<b>175 568 825</b>	5.900	<b>175 568 845</b>	5.900
140	5	125	10	11500	<b>175 568 826</b>	7.881	<b>175 568 846</b>	7.881
160	6	150	10	16600	<b>175 568 827</b>	10.100	<b>175 568 847</b>	10.100
225	8	200	10	39600	<b>175 568 828</b>	15.714	<b>175 568 848</b>	15.714

d	d2	D	D1	D3	D4	H	H1	H2	H3	H4	L	Q1	Q2
(mm)	(mm)		(mm)	(mm)	(mm)	(mm)	(mm)	(mm)	(mm)	(mm)	(mm)	(mm)	(mm)
63	150	M16	125	70	90	238	77	134	27	23	45	40	
75	170	M16	145	70	90	250	83	140	27	23	46	54	35
90	184	M16	160	70	90	262	89	146	27	23	49	67	50
110	216	M16	180	70	90	287	104	167	16	23	56	88	74
140	246	M16	210	70	90	314	117	181	16	23	64	113	97
160	273	M20	240	70	90	338	130	189	19	23	72	139	123
225	334	M20	295	70	90	387	158	210	19	23	73	178	169

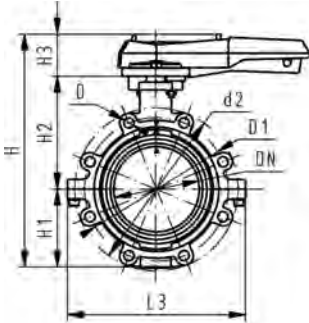


**SYGEF Standard**  
**Lugstyle butterfly valve 568 ANSI**  
**Hand lever with ratchet settings**

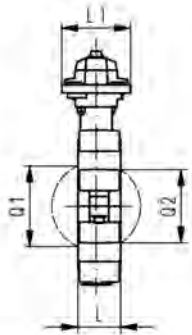
**Model:**

- Material: PVDF
- Outer body in GGG-40.3 epoxy-coated
- Overall length according to EN 558, ISO 5752
- Connecting dimension ANSI/ASME B 16.5 Class 150

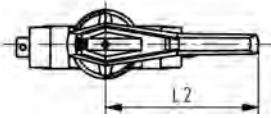
Model with PTFE seal in DN50 - DN80 on request

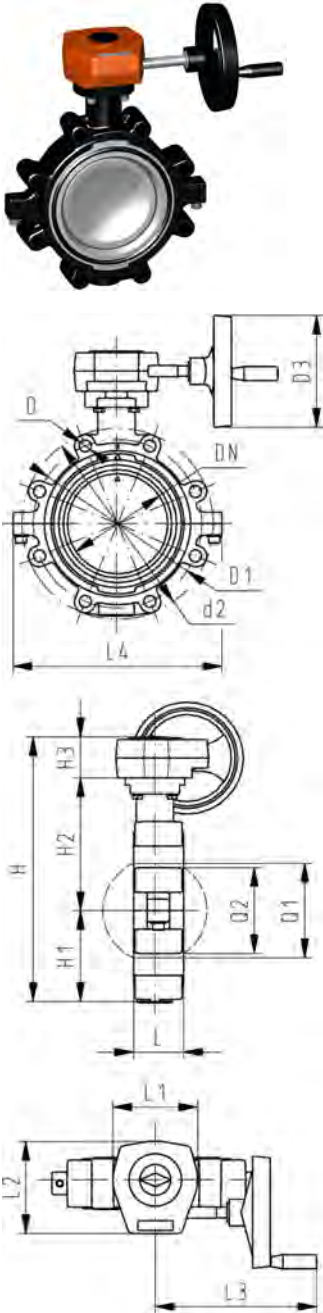


d	Size	DN	PN	kv-value	FPM	Weight	PTFE	Weight
(mm)	(inch)	(mm)	(bar)	( $\Delta p=1$ bar)	Code	(kg)	Code	(kg)
				(l/min)				
63	2	50	10	1470	<b>175 568 102</b>	3.170	<b>175 568 302</b>	3.170
75	2 ½	65	10	2200	<b>175 568 103</b>	3.533	<b>175 568 303</b>	3.533
90	3	80	10	3000	<b>175 568 104</b>	3.961	<b>175 568 304</b>	3.961
110	4	100	10	6500	<b>175 568 105</b>	6.170	<b>175 568 305</b>	6.170
140	5	125	10	11500	<b>175 568 106</b>	8.151	<b>175 568 306</b>	8.151
160	6	150	10	16600	<b>175 568 107</b>	10.370	<b>175 568 307</b>	10.370
225	8	200	10	39600	<b>175 568 108</b>	16.521	<b>175 568 308</b>	16.521



d	Size	d2	D	D1	H	H1	H2	H3	L	L1	L2	L3	Q1	Q2
(mm)	(inch)	(mm)	(mm)	(mm)	(mm)	(mm)	(mm)	(mm)	(mm)	(mm)	(mm)	(mm)	(mm)	(mm)
63	2	150	UNC 5/8	121	265	77	134	54	45	106	205	150	40	
75	2 ½	170	UNC 5/8	138	277	83	140	54	46	106	205	160	54	35
90	3	177	UNC 5/8	152	289	89	146	54	49	106	205	175	67	50
110	4	216	UNC 5/8	191	326	104	167	55	56	106	255	244	88	74
140	5	246	UNC 3/4	216	353	117	181	55	64	106	255	272	113	97
160	6	273	UNC 3/4	241	374	130	189	55	72	106	255	297	139	123
225	8	334	UNC 3/4	298	435	158	210	67	73	140	408	360	178	169





**SYGEF Standard**  
**Lugstyle butterfly valve 568 ANSI**  
**Reduction gear with handwheel**

**Model:**

- Material: PVDF
- Outer body in GGG-40.3 epoxy-coated
- Overall length according to EN 558, ISO 5752
- Connecting dimension ANSI/ASME B 16.5 Class 150

Model with PTFE seal in DN50 - DN80 on request

d (mm)	Size (inch)	DN (mm)	PN (bar)	kv-value ( $\Delta p=1$ bar) (l/min)	FPM Code	Weight (kg)	PTFE Code	Weight (kg)
63	2	50	10	1470	175 568 122	5.208	175 568 322	5.208
75	2 ½	65	10	2200	175 568 123	5.571	175 568 323	5.571
90	3	80	10	3000	175 568 124	5.999	175 568 324	5.999
110	4	100	10	6500	175 568 125	8.160	175 568 325	8.160
140	5	125	10	11500	175 568 126	10.141	175 568 326	10.141
160	6	150	10	16600	175 568 127	12.360	175 568 327	12.360
225	8	200	10	39600	175 568 128	17.974	175 568 328	17.974

d (mm)	Size (inch)	d2 (mm)	D	D1	D3	H	H1	H2	H3	L	L1	L2	L3	L4	Q1
63	2	150	UNC 5/8	121	150	279	77	134	50	45	110	120	155	150	40
75	2 ½	170	UNC 5/8	138	150	291	83	140	50	46	110	120	155	160	54
90	3	177	UNC 5/8	152	150	303	89	146	50	49	110	120	155	175	67
110	4	216	UNC 5/8	191	150	339	104	167	50	56	110	120	155	244	88
140	5	246	UNC 3/4	216	150	366	117	181	50	64	110	120	155	272	113
160	6	273	UNC 3/4	241	150	387	130	189	50	72	110	120	155	297	139
225	8	334	UNC 3/4	298	150	436	158	210	50	73	110	120	155	360	178

d (mm)	Size (inch)	Q2 (mm)
63	2	
75	2 ½	35
90	3	50
110	4	74
140	5	97
160	6	123
225	8	169



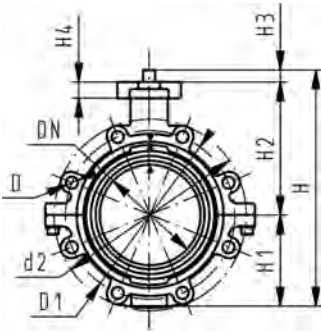


**SYGEF Standard  
Lugstyle butterfly valve 568 ANSI  
Bare shaft**

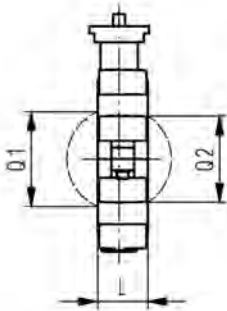
**Model:**

- Material: PVDF
- Outer body in GGG-40.3 epoxy-coated
- Overall length according to EN 558, ISO 5752
- Connecting dimension ANSI/ASME B 16.5 Class 150
- Interface F07 according to DIN/ISO 5211

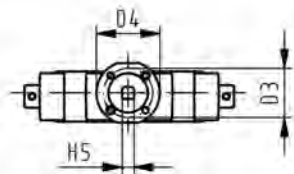
Model with PTFE seal in DN50 - DN80 on request



d (mm)	Size (inch)	DN (mm)	PN (bar)	kv-value ( $\Delta p=1$ bar) (l/min)	FPM Code	Weight (kg)	PTFE Code	Weight (kg)
63	2	50	10	1470	<b>175 568 922</b>	2.948	<b>175 568 942</b>	2.948
75	2 ½	65	10	2200	<b>175 568 923</b>	3.311	<b>175 568 943</b>	3.311
90	3	80	10	3000	<b>175 568 924</b>	3.739	<b>175 568 944</b>	3.739
110	4	100	10	6500	<b>175 568 925</b>	5.900	<b>175 568 945</b>	5.900
140	5	125	10	11500	<b>175 568 926</b>	7.881	<b>175 568 946</b>	7.881
160	6	150	10	16600	<b>175 568 927</b>	10.100	<b>175 568 947</b>	10.100
225	8	200	10	39600	<b>175 568 928</b>	15.714	<b>175 568 948</b>	15.714



d (mm)	Size (inch)	d2 (mm)	D	D1 (mm)	D3 (mm)	D4 (mm)	H (mm)	H1 (mm)	H2 (mm)	H3 (mm)	H4 (mm)	L (mm)	Q1 (mm)	Q2 (mm)
63	2	150	UNC 5/8	121	70	90	238	77	134	27	23	45	40	
75	2 ½	170	UNC 5/8	138	70	90	250	83	140	27	23	46	54	35
90	3	177	UNC 5/8	152	70	90	247	89	146	27	23	49	67	50
110	4	216	UNC 5/8	191	70	90	287	104	167	16	23	56	88	74
140	5	246	UNC 3/4	216	70	90	314	117	181	16	23	64	113	97
160	6	273	UNC 3/4	241	70	90	338	130	189	19	23	72	139	123
225	8	334	UNC 3/4	298	70	90	387	158	210	19	23	73	178	169





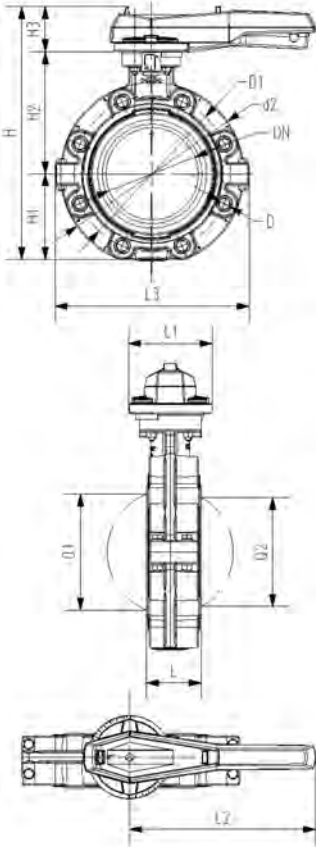
**SYGEF Standard**  
**Lugstyle butterfly valve type 578**  
**Hand lever with ratchet settings**

**Model:**

- Housing material: PP-GF30 with SS316 lug-inserts
- Overall length according to EN 558, ISO 5752 (DN50 - 200 line 25, DN250 - 300 line 10)
- Connecting dimension: ISO 7005 PN10, EN 1092 PN10, DIN 2501 PN10
- We recommend for the dimensions DN250 and DN300 only 6 bar maximum system pressure for the hand lever version

**Option:**

- Optional accessory: Valve-Integrated position feedback with limit switches (limit switches have to be ordered separately)



d (mm)	Size (inch)	DN (mm)	PN (bar)	kv-value ( $\Delta p=1$ bar) (l/min)	FPM Code	Weight (kg)
63	2	50	10	1470	<b>175 578 002</b>	1.800
75	2 ½	65	10	2200	<b>175 578 003</b>	1.895
90	3	80	10	3000	<b>175 578 004</b>	2.251
110	4	100	10	6500	<b>175 578 005</b>	3.146
140	5	125	10	11500	<b>175 578 006</b>	4.660
160	6	150	10	16600	<b>175 578 007</b>	6.430
225	8	200	10	39600	<b>175 578 008</b>	8.625
280	10	250	10	55200	<b>175 578 009</b>	19.528
315	12	300	10	80000	<b>175 578 010</b>	26.106

d (mm)	d2 (mm)	D	D1 (mm)	H (mm)	H1 (mm)	H2 (mm)	H3 (mm)	L (mm)	L1 (mm)	L2 (mm)	L3 (mm)	Q1 (mm)	Q2 (mm)
63	160	M16	125	265	77	134	54	45	106	205	165	40	
75	180	M16	145	277	83	140	54	46	106	205	182	54	35
90	195	M16	160	289	89	146	54	49	106	205	210	67	50
110	226	M16	180	326	106	167	55	56	106	255	240	88	74
140	258	M16	210	357	121	181	55	64	106	255	272	113	97
160	284	M20	240	377	133	189	55	72	106	255	300	139	123
225	341	M20	295	436	159	210	67	73	140	408	360	178	169
280	412	M20	350	536	205	264	67	113	140	408	440	210	207
315	482	M20	400	586	234	285	67	113	140	408	510	256	253



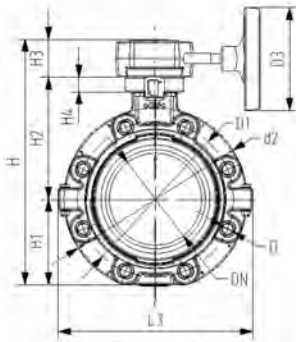
**SYGEF Standard**  
**Lugstyle butterfly valve type 578**  
**Reduction gear with handwheel**

**Model:**

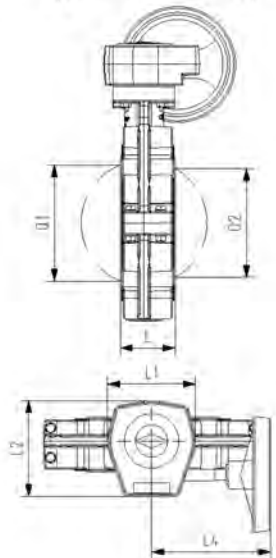
- Housing material: PP-GF30 with SS316 lug-inserts
- Overall length according to EN 558, ISO 5752 (DN50 - 200 line 25, DN250 - 300 line 10)
- Connecting dimension: ISO 7005 PN10, EN 1092 PN10, DIN 2501 PN10

**Option:**

- Optional accessory: Valve-Integrated position feedback with limit switches (limit switches have to be ordered separately)



d (mm)	Size (inch)	DN (mm)	PN (bar)	kv-value ( $\Delta p=1$ bar) (l/min)	FPM Code	Weight (kg)
63	2	50	10	1470	<b>175 578 022</b>	3.562
75	2 ½	65	10	2200	<b>175 578 023</b>	3.721
90	3	80	10	3000	<b>175 578 024</b>	3.929
110	4	100	10	6500	<b>175 578 025</b>	4.834
140	5	125	10	11500	<b>175 578 026</b>	6.348
160	6	150	10	16600	<b>175 578 027</b>	8.109
225	8	200	10	39600	<b>175 578 028</b>	9.353
280	10	250	10	55200	<b>175 578 029</b>	21.210
315	12	300	10	80000	<b>175 578 030</b>	27.746



d (mm)	d2 (mm)	D	D1 (mm)	D3 (mm)	H (mm)	H1 (mm)	H2 (mm)	H3 (mm)	L (mm)	L1 (mm)	L2 (mm)	L3 (mm)	L4 (mm)	Q1 (mm)	Q2 (mm)
63	160	M16	125	150	261	77	134	50	45	110	120	165	155	40	
75	180	M16	145	150	273	83	140	50	46	110	120	182	155	54	35
90	195	M16	160	150	285	89	146	50	49	110	120	210	155	67	50
110	226	M16	180	150	323	106	167	50	56	110	120	240	155	88	74
140	258	M16	210	150	352	121	181	50	64	110	120	272	155	113	97
160	284	M20	240	150	372	133	189	50	72	110	120	300	155	139	123
225	341	M20	295	150	419	159	210	50	73	110	120	360	155	178	169
280	412	M20	350	200	524	205	264	55	113	130	140	440	200	210	207
315	482	M20	400	200	574	234	285	55	113	130	140	510	200	256	253

**SYGEF Standard**  
**Lugstyle butterfly valve type 578**  
**Bare shaft**

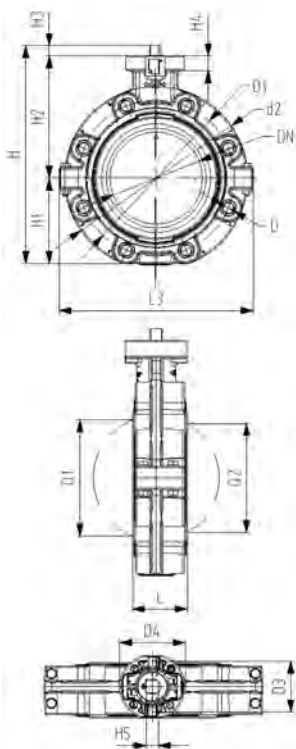


**Model:**

- Housing material: PP-GF30 with SS316 lug-inserts
- Overall length according to EN 558, ISO 5752 (DN50 - 200 line 25, DN250 - 300 line 10)
- Connecting dimension: ISO 7005 PN10, EN 1092 PN10, DIN 2501 PN10
- Interface F07 according to DIN/ISO 5211
- Interface F10 for the dimensions DN250-300 according to DIN/ISO 5211

**Option:**

- Optional accessory: Valve-Integrated position feedback with limit switches (limit switches have to be ordered separately)



d (mm)	Size (inch)	DN (mm)	PN (bar)	kv-value ( $\Delta p=1$ bar) (l/min)	FPM Code	Weight (kg)
63	2	50	10	1470	<b>175 578 822</b>	1.299
75	2 ½	65	10	2200	<b>175 578 823</b>	1.456
90	3	80	10	3000	<b>175 578 824</b>	1.701
110	4	100	10	6500	<b>175 578 825</b>	2.606
140	5	125	10	11500	<b>175 578 826</b>	4.120
160	6	150	10	16600	<b>175 578 827</b>	5.881
225	8	200	10	39600	<b>175 578 828</b>	7.125
280	10	250	10	55200	<b>175 578 829</b>	17.880
315	12	300	10	80000	<b>175 578 830</b>	24.416

d (mm)	d2 (mm)	D	D1 (mm)	D3 (mm)	D4 (mm)	H (mm)	H1 (mm)	H2 (mm)	H3 (mm)	H4 (mm)	H5 (mm)	L (mm)	Q1 (mm)	Q2 (mm)
63	160	M16	125	70	90	238	77	134	27	23	11	45	40	
75	180	M16	145	70	90	250	83	140	27	23	11	46	54	35
90	195	M16	160	70	90	262	89	146	27	23	11	49	67	50
110	226	M16	180	70	90	289	106	167	16	23	14	56	88	74
140	258	M16	210	70	90	318	121	181	16	23	14	64	113	97
160	284	M20	240	70	90	341	133	189	19	23	17	72	139	123
225	341	M20	295	70	90	388	159	210	19	23	17	73	178	169
280	412	M20	350	102	125	509	205	264	40	23	22	113	210	207
315	482	M20	400	102	125	559	234	285	40	23	22	113	256	253



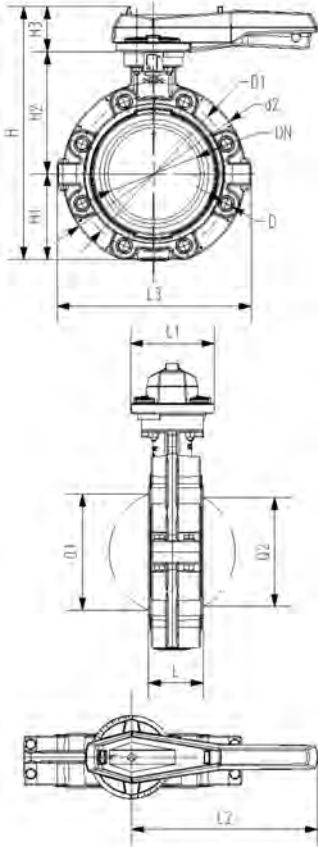
**SYGEF Standard**  
**Lugstyle butterfly valve 578 ANSI**  
**Hand lever with ratchet settings**

**Model:**

- Housing material: PP-GF30 with SS316 lug-inserts
- Overall length according to EN 558, ISO 5752 (DN50 - 200 line 25, DN250 - 300 line 10)
- Connecting dimension ANSI/ASME B 16.5 Class 150
- We recommend for the dimensions DN250 and DN300 only 6 bar maximum system pressure for the hand lever version

**Option:**

- Optional accessory: Valve-Integrated position feedback with limit switches (limit switches have to be ordered separately)



d	Size	DN	PN	kv-value	FPM	Weight
(mm)	(inch)	(mm)	(bar)	( $\Delta p=1$ bar)	Code	(kg)
				(l/min)		
63	2	50	10	1470	<b>175 578 102</b>	1.800
75	2 ½	65	10	2200	<b>175 578 103</b>	1.895
90	3	80	10	3000	<b>175 578 104</b>	2.251
110	4	100	10	6500	<b>175 578 105</b>	3.146
140	5	125	10	11500	<b>175 578 106</b>	4.660
160	6	150	10	16600	<b>175 578 107</b>	6.430
225	8	200	10	39600	<b>175 578 108</b>	8.625
280	10	300	10	55200	<b>175 578 109</b>	19.528
315	12	250	10	80000	<b>175 578 110</b>	26.106

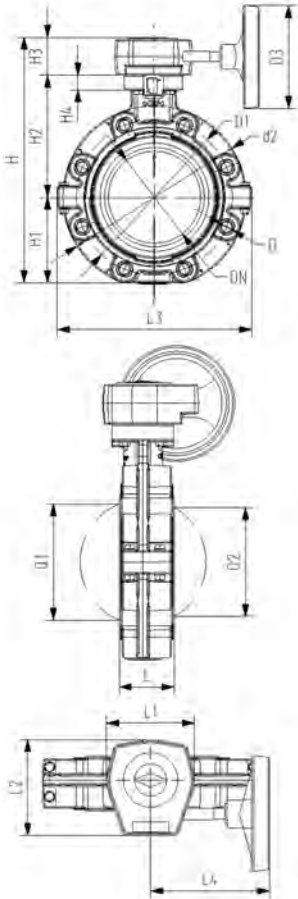
d	Size	d2	D	D1	H	H1	H2	H3	L	L1	L2	L3	Q1	Q2
(mm)	(inch)	(mm)	(mm)	(mm)	(mm)	(mm)	(mm)	(mm)	(mm)	(mm)	(mm)	(mm)	(mm)	(mm)
63	2	160	UNC 5/8	120.6	265	77	134	54	45	106	205	165	40	
75	2 ½	180	UNC 5/8	139.7	277	83	140	54	46	106	205	182	54	35
90	3	195	UNC 5/8	152.4	289	89	146	54	49	106	205	210	67	50
110	4	226	UNC 5/8	190.5	328	106	167	55	56	106	255	240	88	74
140	5	258	UNC 3/4	215.9	357	121	181	55	64	106	255	272	113	97
160	6	284	UNC 3/4	241.3	377	133	189	55	72	106	255	300	139	123
225	8	341	UNC 3/4	298.4	436	159	210	67	73	140	408	360	178	169
280	10	412	UNC 7/8	362.0	536	205	264	67	114	140	408	440	210	207
315	12	482	UNC 7/8	431.8	586	234	285	67	115	140	408	510	256	253



**SYGEF Standard**  
**Lugstyle butterfly valve 578 ANSI**  
**Reduction gear with handwheel**

**Model:**

- Housing material: PP-GF30 with SS316 lug-inserts
- Overall length according to EN 558, ISO 5752 (DN50 - 200 line 25, DN250 - 300 line 10)
- Connecting dimension ANSI/ASME B 16.5 Class 150



d (mm)	Size (inch)	DN (mm)	PN (bar)	kv-value ( $\Delta p=1$ bar) (l/min)	FPM Code	Weight (kg)
63	2	50	10	1470	175 578 122	3.562
75	2 ½	65	10	2200	175 578 123	3.721
90	3	80	10	3000	175 578 124	3.929
110	4	100	10	6500	175 578 125	4.834
140	5	125	10	11500	175 578 126	6.348
160	6	150	10	16600	175 578 127	8.109
225	8	200	10	39600	175 578 128	9.353
280	10	250	10	55200	175 578 129	21.210
315	12	300	10	80000	175 578 130	27.746

d (mm)	Size (inch)	d2 (mm)	D (mm)	D1 (mm)	D3 (mm)	H (mm)	H1 (mm)	H2 (mm)	H3 (mm)	L (mm)	L1 (mm)	L2 (mm)	L3 (mm)	L4 (mm)
63	2	160	UNC 5/8	120.6	150	261	77	134	50	45	110	120	165	155
75	2 ½	180	UNC 5/8	139.7	150	273	83	140	50	46	110	120	182	155
90	3	195	UNC 5/8	152.4	150	285	89	146	50	49	110	120	210	155
110	4	226	UNC 5/8	190.5	150	323	106	167	50	56	110	120	240	155
140	5	258	UNC 3/4	215.9	150	352	121	181	50	64	110	120	272	155
160	6	284	UNC 3/4	241.3	150	372	133	189	50	72	110	120	300	155
225	8	341	UNC 3/4	298.4	150	419	159	210	50	73	110	120	360	155
280	10	412	UNC 7/8	362.0	200	524	205	264	55	113	130	140	440	200
315	12	482	UNC 7/8	431.8	200	574	234	285	55	113	130	140	510	200

d (mm)	Size (inch)	Q1 (mm)	Q2 (mm)
63	2	40	
75	2 ½	54	35
90	3	67	50
110	4	88	74
140	5	113	97
160	6	139	123
225	8	178	169
280	10	210	207
315	12	256	253



**SYGEF Standard**  
**Lugstyle butterfly valve 578 ANSI**  
**Bare shaft**

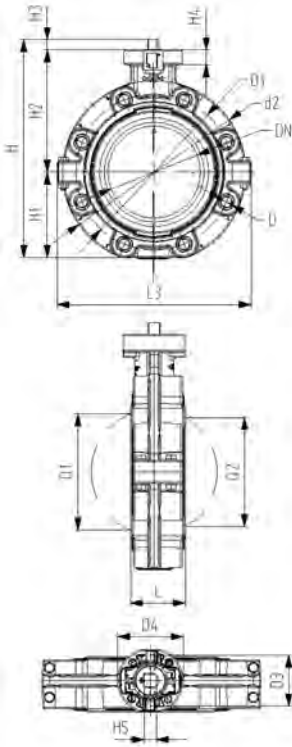


**Model:**

- Housing material: PP-GF30 with SS316 lug-inserts
- Overall length according to EN 558, ISO 5752 (DN50 - 200 line 25, DN250 - 300 line 10)
- Connecting dimension ANSI/ASME B 16.5 Class 150
- Interface F10 for the dimensions DN250-300 according to DIN/ISO 5211
- Interface F07 according to DIN/ISO 5211

**Option:**

- Optional accessory: Valve-Integrated position feedback with limit switches (limit switches have to be ordered separately)



d	Size	DN	PN	kv-value	FPM	Weight
(mm)	(inch)	(mm)	(bar)	( $\Delta p=1$ bar)	Code	(kg)
				(l/min)		
63	2	50	10	1470	<b>175 578 922</b>	1.299
75	2 ½	65	10	2200	<b>175 578 923</b>	1.456
90	3	80	10	3000	<b>175 578 924</b>	1.701
110	4	100	10	6500	<b>175 578 925</b>	2.606
140	5	125	10	11500	<b>175 578 926</b>	4.120
160	6	150	10	16600	<b>175 578 927</b>	5.881
225	8	200	10	39600	<b>175 578 928</b>	7.125
280	10	250	10	55200	<b>175 578 929</b>	17.880
315	12	300	10	80000	<b>175 578 930</b>	24.416

d	Size	d2	D	D1	D3	D4	H	H1	H2	H3	H4	H5	L	L3
(mm)	(inch)	(mm)	(mm)	(mm)	(mm)	(mm)	(mm)	(mm)	(mm)	(mm)	(mm)	(mm)	(mm)	(mm)
63	2	160	UNC 5/8	120.6	70	90	238	77	134	27	23	11	45	165
75	2 ½	180	UNC 5/8	139.7	70	90	250	83	140	27	23	11	46	182
90	3	195	UNC 5/8	152.4	70	90	262	89	146	27	23	11	49	210
110	4	226	UNC 5/8	190.5	70	90	289	106	167	16	23	14	56	240
140	5	258	UNC 3/4	215.9	70	90	318	121	181	16	23	14	64	272
160	6	285	UNC 3/4	241.3	70	90	341	133	189	19	23	17	72	300
225	8	341	UNC 3/4	298.4	70	90	388	159	210	19	23	17	73	360
280	10	412	UNC 7/8	362.0	102	125	509	205	264	40	23	22	113	440
315	12	482	UNC 7/8	431.8	102	125	559	234	285	40	23	22	113	510

d	Size	Q1	Q2
(mm)	(inch)	(mm)	(mm)
63	2	40	
75	2 ½	54	35
90	3	67	50
110	4	88	74
140	5	113	97
160	6	139	123
225	8	178	169
280	10	210	207
315	12	256	253

# Pressure regulating valves



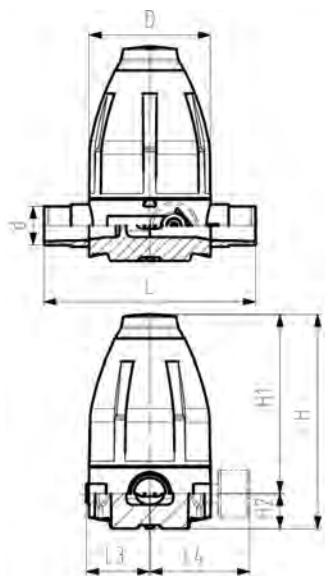
**SYGEF Standard**  
**Pressure reducing valve type 582**  
**With butt fusion spigots metric**  
**Without manometer**

**Model:**

- Diaphragm PTFE/EPDM
- Integrated stainless steel mounting inserts
- 0.5-9.0 bar (7-130 psi)

0.3-3.0 bar (4-44 psi) on request

Manometer on request



d (mm)	DN (mm)	PN (bar)	O-rings FPM Code	Weight (kg)
20	15	10	<b>185 582 012</b>	0.700
25	20	10	<b>185 582 013</b>	1.550
32	25	10	<b>185 582 014</b>	1.560
40	32	10	<b>185 582 015</b>	4.370
50	40	10	<b>185 582 016</b>	4.400
63	50	10	<b>185 582 017</b>	4.520

d (mm)	D (mm)	H (mm)	H1 (mm)	H2 (mm)	H3 (mm)	L (mm)	L3 (mm)	L5 (mm)	M	closest inch (inch)
20	79	132	111	21	14	150	42	40	M6	½
25	100	177	148	29	14	190	53	46	M6	¾
32	100	177	148	29	14	190	53	46	M6	1
40	147	251	207	44	21	240	76	65	M8	1 ¼
50	147	251	207	44	21	240	76	65	M8	1 ½
63	147	251	207	44	21	260	76	65	M8	2



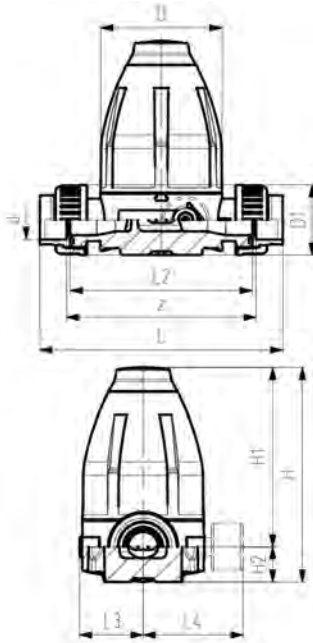
**SYGEF Standard**  
**Pressure reducing valve type 582**  
**With fusion sockets metric**  
**Without manometer**

**Model:**

- Diaphragm PTFE/EPDM
- Integrated stainless steel mounting inserts
- 0.5-9.0 bar (7-130 psi)

0.3-3.0 bar (4-44 psi) on request

Manometer on request



d	DN	PN	O-rings	FPM	Weight
(mm)	(mm)	(bar)	Code		(kg)
20	15	10	185	582 112	0.780
25	20	10	185	582 113	1.650
32	25	10	185	582 114	1.700
40	32	10	185	582 115	4.530
50	40	10	185	582 116	4.750
63	50	10	185	582 117	5.050

d	D	D1	H	H1	H2	H3	L	L2	L3	L5	M	z	closest inch
(mm)	(mm)	(mm)	(mm)	(mm)	(mm)	(mm)	(mm)	(mm)	(mm)	(mm)		(mm)	(inch)
20	79	43	132	111	21	12	158	120	42	40	M6	130	1/2
25	100	53	177	148	29	14	192	150	53	46	M6	160	3/4
32	100	60	177	148	29	14	196	150	53	46	M6	160	1
40	147	74	251	207	44	21	255	205	76	65	M8	215	1 1/4
50	147	82	251	207	44	21	261	205	76	65	M8	215	1 1/2
63	147	100	251	207	44	21	269	205	76	65	M8	215	2



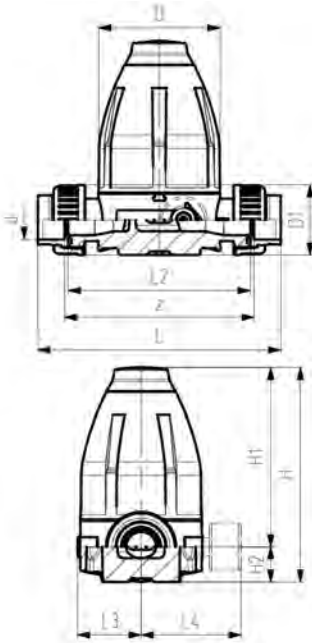
**SYGEF Standard**  
**Pressure reducing valve type 582**  
**Unions with butt fusion spigots metric**  
**Without manometer**

**Model:**

- Diaphragm PTFE/EPDM
- Integrated stainless steel mounting inserts
- 0.5-9.0 bar (7-130 psi)

0.3-3.0 bar (4-44 psi) on request

Manometer on request



d	DN	PN	O-rings	FPM	Weight
(mm)	(mm)	(bar)	Code		(kg)
20	15	10	185	582 512	0.830
25	20	10	185	582 513	1.710
32	25	10	185	582 514	1.760
40	32	10	185	582 515	4.750
50	40	10	185	582 516	4.840
63	50	10	185	582 517	5.140

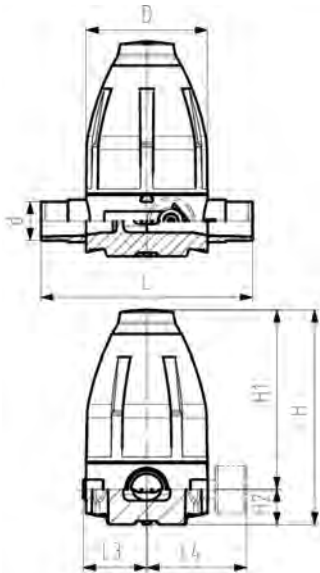
d	D	D1	H	H1	H2	H3	L	L2	L3	L5	M	closest inch
(mm)	(mm)	(mm)	(mm)	(mm)	(mm)	(mm)	(mm)	(mm)	(mm)	(mm)		(inch)
20	79	43	132	111	21	12	226	120	42	40	M6	½
25	100	53	177	148	29	14	262	150	53	46	M6	¾
32	100	60	177	148	29	14	268	150	53	46	M6	1
40	147	74	251	207	44	21	329	205	76	65	M8	1 ¼
50	147	82	251	207	44	21	335	205	76	65	M8	1 ½
63	147	100	251	207	44	21	341	205	76	65	M8	2



**SYGEF Standard**  
**Pressure retaining valve type 586**  
**With butt fusion spigots metric**  
**Without manometer**

**Model:**

- Diaphragm PTFE/EPDM
  - Integrated stainless steel mounting inserts
  - 0.5-9.0 bar (7-130 psi)
- 0.3-3.0 bar (4-44 psi) on request  
 Manometer on request



d	DN	PN	O-rings	FPM	Weight
(mm)	(mm)	(bar)	Code		(kg)
20	15	10	185	586 012	0.700
25	20	10	185	586 013	1.570
32	25	10	185	586 014	1.580
40	32	10	185	586 015	4.410
50	40	10	185	586 016	4.430
63	50	10	185	586 017	4.550

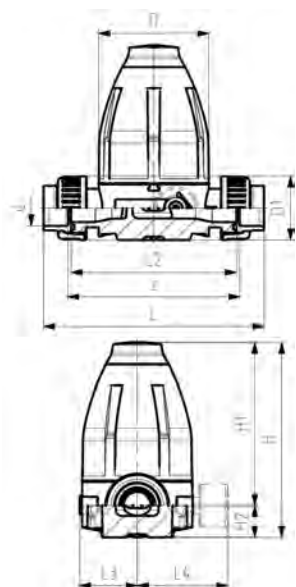
d	D	H	H1	H2	H3	L	L3	L5	M	closest inch
(mm)	(mm)	(mm)	(mm)	(mm)	(mm)	(mm)	(mm)	(mm)		(inch)
20	79	132	111	21	14	150	42	40	M6	½
25	100	177	148	29	14	190	53	46	M6	¾
32	100	177	148	29	14	190	53	46	M6	1
40	147	251	207	44	21	240	76	65	M8	1 ¼
50	147	251	207	44	21	240	76	65	M8	1 ½
63	147	251	207	44	21	260	76	65	M8	2



**SYGEF Standard**  
**Pressure retaining valve type 586**  
**Unions with fusion sockets metric**  
**Without manometer**

**Model:**

- Diaphragm PTFE/EPDM
  - Integrated stainless steel mounting inserts
  - 0.5-9.0 bar (7-130 psi)
- 0.3-3.0 bar (4-44 psi) on request  
 Manometer on request



d	DN	PN	O-rings	FPM	Weight
(mm)	(mm)	(bar)	Code		(kg)
20	15	10	185	586 112	0.780
25	20	10	185	586 113	1.670
32	25	10	185	586 114	1.720
40	32	10	185	586 115	4.700
50	40	10	185	586 116	4.790
63	50	10	185	586 117	5.090

d	D	H	H1	H2	H3	L	L2	L3	L5	M	z	closest inch
(mm)	(mm)	(mm)	(mm)	(mm)	(mm)	(mm)	(mm)	(mm)	(mm)		(mm)	(inch)
20	79	132	111	21	12	158	120	42	40	M6	130	½
25	100	177	148	29	14	192	150	53	46	M6	160	¾
32	100	177	148	29	14	196	150	53	46	M6	160	1
40	147	251	207	44	21	255	205	76	65	M8	215	1 ¼
50	147	251	207	44	21	261	205	76	65	M8	215	1 ½
63	147	251	207	44	21	269	205	76	65	M8	215	2

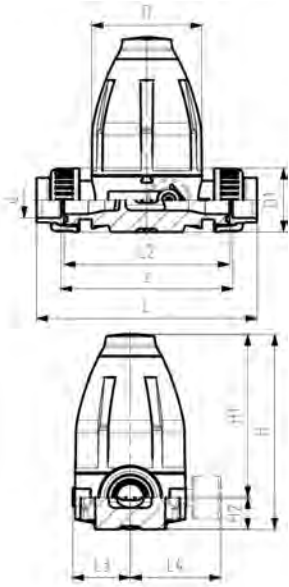


**SYGEF Standard**  
**Pressure retaining valve type 586**  
**Unions with butt fusion spigots metric**  
**Without manometer**

**Model:**

- Diaphragm PTFE/EPDM
- Integrated stainless steel mounting inserts
- 0.5-9.0 bar (7-130 psi)

0.3-3.0 bar (4-44 psi) on request  
 Manometer on request



d	DN	PN	O-rings	FPM	Weight
(mm)	(mm)	(bar)	Code		(kg)
20	15	10	185	586 512	0.820
25	20	10	185	586 513	1.710
32	25	10	185	586 514	1.760
40	32	10	185	586 515	4.740
50	40	10	185	586 516	4.830
63	50	10	185	586 517	5.130

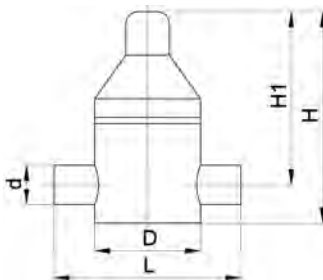
d	D	D1	H	H1	H2	H3	L	L2	L3	L5	M	z	closest inch
(mm)	(mm)	(mm)	(mm)	(mm)	(mm)	(mm)	(mm)	(mm)	(mm)	(mm)	(mm)	(mm)	(inch)
20	79	43	132	111	21	12	226	120	42	40	M6	130	1/2
25	100	53	177	148	29	14	262	150	53	46	M6	160	3/4
32	100	60	177	148	29	14	268	150	53	45	M6	160	1
40	147	74	251	207	44	21	329	205	76	65	M8	215	1 1/4
50	147	82	251	207	44	21	335	205	76	65	M8	215	1 1/2
63	147	100	251	207	44	21	341	205	76	65	M8	215	2



**SYGEF Standard**  
**Pressure retaining valve type V86**  
**With fusion spigots IR Plus**

**Model:**

- Material: PVDF



Type	d	DN	PTFE	Weight	D	H	H1	L	closest inch	Pressure range	h
	(mm)	(mm)	Code	(kg)	(mm)	(mm)	(mm)	(mm)	(inch)	(bar)	(mm)
V86	75	65	199 041 689	5.600	180	275	230	284	2 1/2	1 - 10	
V86	75	65	199 041 669	5.600	180	275	230	344	2 1/2	1 - 10	



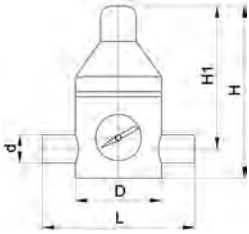


**SYGEF Standard**  
**Pressure reducing valve type V82**  
**With fusion spigots IR metric**

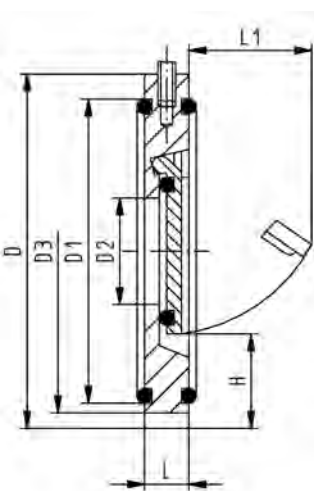
**Model:**

- Material: PVDF

Type	d (mm)	DN (mm)	PTFE Code	D (mm)	H (mm)	H1 (mm)	L (mm)	closest inch (inch)	Pressure range (bar)
V82	75	65	<b>199 041 649</b>	200	350	250	300	2 ½	1.0 - 6.0



# Check valves



## SYGEF Standard Wafer check valve type 369 Without spring

### Model:

- Material: PVDF
- Supporting eyelets for simple fitting
- Suitable for vertical and horizontal mounting

### Installation instruction:

- Installation between ISO/DIN (all dimensions) and ANSI flange adaptors (all except DN32 and DN125)
- Installation with ANSI flange adaptor: for wafer check valves DN40 to DN80 you have to use ANSI flange adaptors with the next bigger dimension (example DN40 wafer check valve between DN50 ANSI flange adaptor)
- Centering by body diameter (ISO/DIN by D3, ANSI by D)
- Sealing with special flange gasket (except DN32, o-ring)
- A stabilizing zone of at least 5 times nominal diameter (DN) should be provided before and after the wafer check valve (10 times DN is recommended)
- No direct installation on pump flange or following bend allowed
- Wafer check valves without reset spring are not recommended for pulsating flows (production of noise)

### Note:

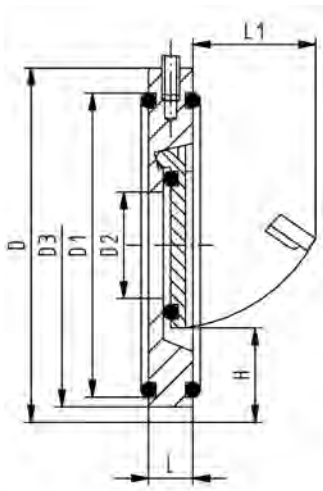
In order to install the wafer check valves properly, Georg Fischer recommends flange adaptors of the next larger diameter of the valve (e.g. wafer check valve d90 with two flange adaptors d110)

d (mm)	DN (mm)	PN (bar)	FPM Code	Weight (kg)
40	32	10	175 369 022	0.133
50	40	10	175 369 023	0.184
63	50	10	175 369 024	0.272
75	65	10	175 369 025	0.410
90	80	10	175 369 026	0.508
110	100	10	175 369 027	0.722
140	125	10	175 369 029	0.991
160	150	6	175 369 030	1.418
225	200	6	175 369 031	2.710
280	250	6	175 369 032	4.520
315	300	6	175 369 033	6.900

d (mm)	D (mm)	D1 (mm)	D2 (mm)	D3 (mm)	H (mm)	L (mm)	L1 (mm)	Opening pressure vertical (mbar)	Opening pres- sure horizontal (mbar)	Tightness from water column (m)
40	85	59	18	85	25	15	22	10	1	2
50	105	74	22	95	27	16	27	10	1	2
63	124	90	32	109	29	18	40	10	1	2
75	137	110	40	129	31	20	55	10	1	2
90	175	125	54	144	32	20	67	10	1	2
110	175	150	70	164	31	23	67	10	1	2
140	195	178	92	195	35	23	94	10	1	2
160	222	192	105	220	41	26	100	10	1	2
225	279	256	154	275	38	35	152	18	1	2
280	340	306	192	330	41	40	180	18	1	2
315	410	342	227	380	41	45	215	18	1	2

d (mm)	closest inch (inch)
40	1 ¼
50	1 ½
63	2
75	2 ½
90	3

table continued on the next page



**d**    **closest**  
 (mm)    **inch**  
           (inch)

110	4
140	5
160	6
225	8
280	10
315	12



**SYGEF Standard**  
**Wafer check valve type 369**  
**With Hastelloy C spring**

**Model:**

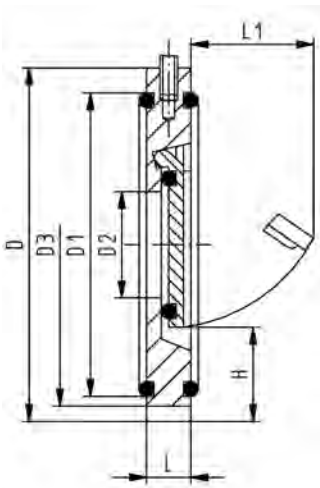
- Material: PVDF
- Supporting eyelets for simple fitting
- Suitable for vertical and horizontal mounting

**Installation instruction:**

- Installation between ISO/DIN (all dimensions) and ANSI flange adaptors (all except DN32 and DN125)
- Installation with ANSI flange adaptor: for wafer check valves DN40 to DN80 you have to use ANSI flange adaptors with the next bigger dimension (example DN40 wafer check valve between DN50 ANSI flange adaptor)
- Centering by body diameter (ISO/DIN by D3, ANSI by D)
- Sealing with special flange gasket (except DN32, o-ring)
- A stabilizing zone of at least 5 times nominal diameter (DN) should be provided before and after the wafer check valve (10 times DN is recommended)
- No direct installation on pump flange or following bend allowed

**Note:**

**In order to install the wafer check valves properly, Georg Fischer recommends flange adaptors of the next larger diameter of the valve (e.g. wafer check valve d90 with two flange adaptors d110)**

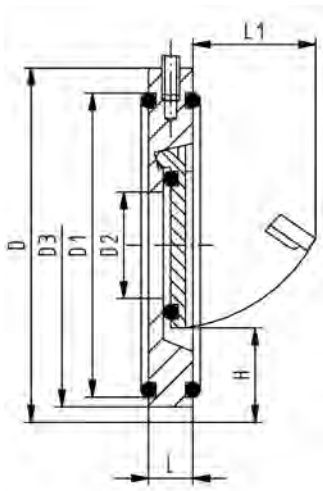


d (mm)	DN (mm)	PN (bar)	FPM Code	Weight (kg)
40	32	10	175 369 102	0.170
50	40	10	175 369 103	0.210
63	50	10	175 369 104	0.330
75	65	10	175 369 105	0.420
90	80	10	175 369 106	0.510
110	100	10	175 369 107	0.710
140	125	10	175 369 109	0.970
160	150	6	175 369 110	1.420
225	200	6	175 369 111	2.710
280	250	6	175 369 112	4.520
315	300	6	175 369 113	6.900

d (mm)	D (mm)	D1 (mm)	D2 (mm)	D3 (mm)	H (mm)	L (mm)	L1 (mm)	Opening pressure vertical (mbar)	Opening pressure horizontal (mbar)	Tightness from water column (m)
40	85	59	18	85	25	15	22	30	20	2
50	105	74	22	95	27	16	27	30	20	2
63	124	90	32	109	29	18	40	30	20	2
75	137	110	40	129	31	20	55	30	20	2
90	175	125	54	144	32	20	67	30	20	2
110	175	150	70	164	31	23	67	30	20	2
140	195	178	92	195	35	23	94	30	20	2
160	222	192	105	220	41	26	100	30	20	2
225	279	256	154	275	38	35	152	38	20	2
280	340	306	192	330	41	40	180	38	20	2
315	410	342	227	380	41	45	215	38	20	2

d (mm)	closest inch (inch)
40	1 ¼
50	1 ½
63	2
75	2 ½
90	3
110	4
140	5

table continued on the next page



<b>d</b> (mm)	<b>closest inch</b> (inch)
160	6
225	8
280	10
315	12



**SYGEF Standard**  
**Wafer check valve type 369**  
**With V4A spring (stainless steel 316)**

**Model:**

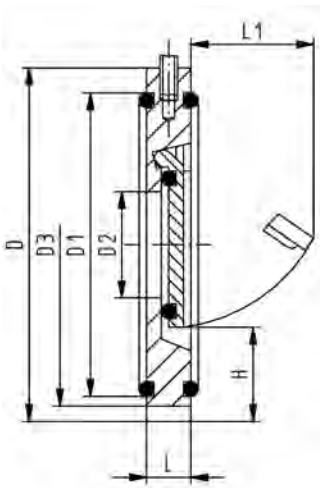
- Material: PVDF
- Supporting eyelets for simple fitting
- Suitable for vertical and horizontal mounting

**Installation instruction:**

- Installation between ISO/DIN (all dimensions) and ANSI flange adaptors (all except DN32 and DN125)
- Installation with ANSI flange adaptor: for wafer check valves DN40 to DN80 you have to use ANSI flange adaptors with the next bigger dimension (example DN40 wafer check valve between DN50 ANSI flange adaptor)
- Centering by body diameter (ISO/DIN by D3, ANSI by D)
- Sealing with special flange gasket (except DN32, o-ring)
- A stabilizing zone of at least 5 times nominal diameter (DN) should be provided before and after the wafer check valve (10 times DN is recommended)
- No direct installation on pump flange or following bend allowed

**Note:**

**In order to install the wafer check valves properly, Georg Fischer recommends flange adaptors of the next larger diameter of the valve (e.g. wafer check valve d90 with two flange adaptors d110)**



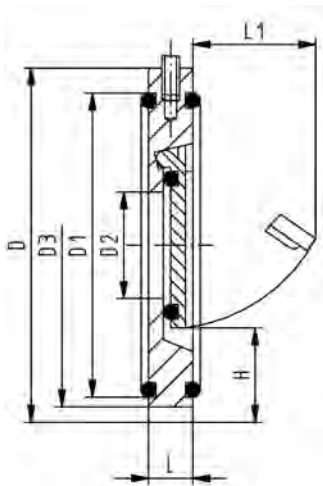
d (mm)	DN (mm)	PN (bar)	FPM Code	Weight (kg)
40	32	10	175 369 062	0.170
50	40	10	175 369 063	0.210
63	50	10	175 369 064	0.274
75	65	10	175 369 065	0.410
90	80	10	175 369 066	0.508
110	100	10	175 369 067	0.724
140	125	10	175 369 069	0.993
160	150	6	175 369 070	1.422
225	200	6	175 369 071	2.708
280	250	6	175 369 072	4.423
315	300	6	175 369 073	6.900

d (mm)	D (mm)	D1 (mm)	D2 (mm)	D3 (mm)	H (mm)	L (mm)	L1 (mm)	Opening pressure vertical (mbar)	Opening pressure horizontal (mbar)	Tightness from water column (m)
40	85	59	18	85	25	15	22	30	20	2
50	105	74	22	95	27	16	27	30	20	2
63	124	90	32	109	29	18	40	30	20	2
75	137	110	40	129	31	20	55	30	20	2
90	175	125	54	144	32	20	67	30	20	2
110	175	150	70	164	31	23	67	30	20	2
140	195	178	92	195	35	23	94	30	20	2
160	222	192	105	220	41	26	100	30	20	2
225	279	256	154	275	38	35	152	38	20	2
280	340	306	192	330	41	40	180	38	20	2
315	410	342	227	380	41	45	215	38	20	2

d (mm)	closest inch (inch)
40	1 ¼
50	1 ½
63	2
75	2 ½
90	3
110	4
140	5

table continued on the next page





<b>d</b> (mm)	<b>closest inch</b> (inch)
160	6
225	8
280	10
315	12

# Cone check valves

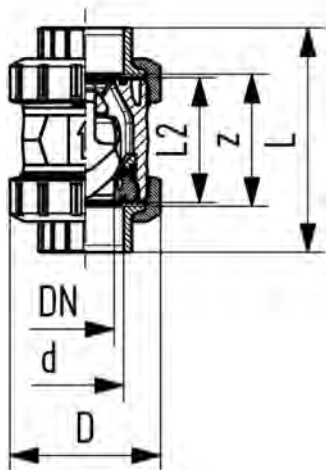


**SYGEF Standard**  
**Check valve type 562**  
**With fusion sockets metric**

**Model:**

- Material: PVDF
- For horizontal or vertical installation
- Sealing at a minimum water column of 1 m
- Spring loaded, spring made of stainless steel (1.4310)
- Spring available in other materials, see spare parts
- Designed for easy installation and removal
- Vibration free even at high flow velocity
- Flow-optimized return cone, double guided
- Compact installation length, same as ball valve type 546
- Z-length, end connectors and union nuts **not** compatible with type 360

Warning: please make sure the diameter is not reduced through welding beads (Danger of turbulences)



d	DN	PN	kv-value	FPM	Weight	D	L	L2	z	closest	
(mm)	(mm)	(bar)	( $\Delta p=1$ bar)	Code	(kg)	(mm)	(mm)	(mm)	(mm)	inch	
			(l/min)								(inch)
16	10	16	190	<b>175 562 011</b>	0.160	50	93	56	67	3/8	
20	15	16	180	<b>175 562 012</b>	0.160	50	95	56	66	1/2	
25	20	16	380	<b>175 562 013</b>	0.340	58	109	65	77	3/4	
32	25	16	460	<b>175 562 014</b>	0.360	68	119	71	83	1	
40	32	16	850	<b>175 562 015</b>	0.670	84	135	85	99	1 1/4	
50	40	16	1080	<b>175 562 016</b>	0.990	97	147	89	105	1 1/2	
63	50	16	1670	<b>175 562 017</b>	1.770	124	168	101	117	2	
75	65	16	2950	<b>175 562 018</b>	3.630	166	235	136	167	2 1/2	
90	80	16	3600	<b>175 562 019</b>	5.800	200	255	141	180	3	
110	100	16	4150	<b>175 562 020</b>	9.450	238	305	164	215	4	

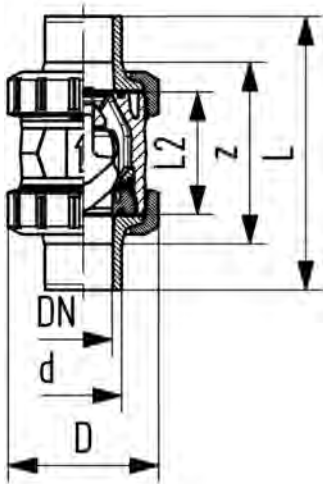


**SYGEF Standard**  
**Check valve type 562**  
**With socket fusion spigots metric**

**Model:**

- Material: PVDF
- For horizontal or vertical installation
- Sealing at a minimum water column of 1 m
- Spring loaded, spring made of stainless steel (1.4310)
- Spring available in other materials, see spare parts
- Designed for easy installation and removal
- Vibration free even at high flow velocity
- Flow-optimized return cone, double guided
- Compact installation length, same as ball valve type 546
- Z-length, end connectors and union nuts **not** compatible with type 360

Warning: please make sure the diameter is not reduced through welding beads (Danger of turbulences)



d (mm)	DN (mm)	PN (bar)	kv-value ( $\Delta p=1$ bar) (l/min)	FPM Code	Weight (kg)	D (mm)	L (mm)	L2 (mm)	closest inch (inch)
16	10	16	190	<b>175 562 051</b>	0.160	50	110	56	3/8
20	15	16	180	<b>175 562 052</b>	0.170	50	120	56	1/2
25	20	16	380	<b>175 562 053</b>	0.370	58	139	65	3/4
32	25	16	460	<b>175 562 054</b>	0.400	68	150	71	1
40	32	16	850	<b>175 562 055</b>	0.670	84	170	85	1 1/4
50	40	16	1080	<b>175 562 056</b>	1.030	97	190	89	1 1/2
63	50	16	1670	<b>175 562 057</b>	1.830	124	220	101	2

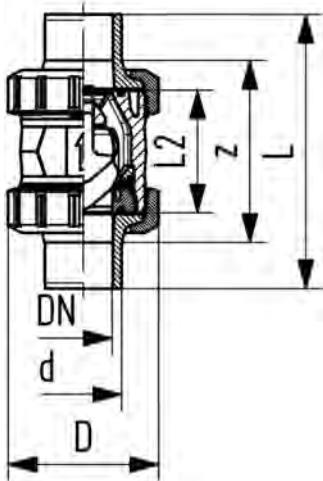


**SYGEF Standard**  
**Check valve type 562**  
**With butt fusion spigots IR-Plus metric**

**Model:**

- Material: PVDF
- For horizontal or vertical installation
- Sealing at a minimum water column of 1 m
- Spring loaded, spring made of stainless steel (1.4310)
- Spring available in other materials, see spare parts
- Designed for easy installation and removal
- Vibration free even at high flow velocity
- Flow-optimized return cone, double guided
- Compact installation length, same as ball valve type 546
- Z-length, end connectors and union nuts **not** compatible with type 360

Warning: please make sure the diameter is not reduced through welding beads (Danger of turbulences)



d (mm)	DN (mm)	PN (bar)	kv-value ( $\Delta p=1$ bar) (l/min)	FPM Code	Weight (kg)	D (mm)	L (mm)	L2 (mm)	e (mm)	closest inch (inch)
20	15	16	180	<b>175 562 092</b>	0.160	50	130	56	1.9	1/2
25	20	16	380	<b>175 562 093</b>	0.350	58	143	65	1.9	3/4
32	25	16	460	<b>175 562 094</b>	0.380	68	150	71	2.4	1
40	32	16	850	<b>175 562 095</b>	0.660	84	171	85	2.4	1 1/4
50	40	16	1080	<b>175 562 096</b>	1.000	97	191	89	3.0	1 1/2
63	50	16	1670	<b>175 562 097</b>	1.790	124	220	101	3.0	2
75	65	16	2950	<b>175 562 098</b>	3.680	166	270	136	3.6	2 1/2
90	80	16	3600	<b>175 562 099</b>	5.760	200	265	141	4.3	3
110	100	16	4150	<b>175 562 100</b>	9.270	238	305	164	5.3	4

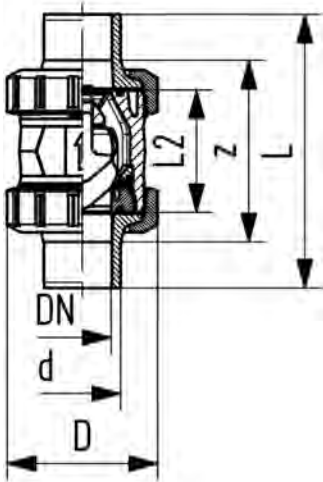


**SYGEF Standard**  
**Check valve type 561**  
 With butt fusion spigots IR-Plus metric

**Model:**

- Material: PVDF
- Sealing at a minimum water column of 2 m
- Designed for easy installation and removal
- Vibration free even at high flow velocity
- Flow-optimized return cone, double guided
- For vertical installation
- Compact installation length, same as ball valve type 546
- Z-length, end connectors and union nuts **not** compatible with type 360

Warning: please make sure the diameter is not reduced through welding beads (Danger of turbulences)



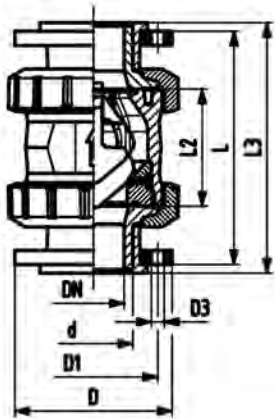
d (mm)	DN (mm)	PN (bar)	kv-value ( $\Delta p=1$ bar) (l/min)	FPM Code	Weight (kg)	D (mm)	L (mm)	L2 (mm)	e (mm)	closest inch (inch)
20	15	16	180	<b>175 561 092</b>	0.160	50	130	56	1.9	½
25	20	16	380	<b>175 561 093</b>	0.350	58	143	65	1.9	¾
32	25	16	460	<b>175 561 094</b>	0.380	68	150	71	2.4	1
40	32	16	850	<b>175 561 095</b>	0.660	84	171	85	2.4	1 ¼
50	40	16	1080	<b>175 561 096</b>	1.000	97	191	89	3.0	1 ½
63	50	16	1670	<b>175 561 097</b>	1.790	124	220	101	3.0	2
75	65	16	2950	<b>175 561 098</b>	3.680	166	270	136	3.6	2 ½
90	80	16	3600	<b>175 561 099</b>	5.760	200	265	141	4.3	3
110	100	16	4150	<b>175 561 100</b>	9.270	238	305	164	5.3	4



**SYGEF Standard**  
**Check valve type 561**  
 With backing flanges PP-st metric

**Model:**

- Material: PVDF
- Sealing at a minimum water column of 2 m
- Designed for easy installation and removal
- Vibration free even at high flow velocity
- Flow-optimized return cone, double guided
- For vertical installation
- Compact installation length, same as ball valve type 546
- Z-length, end connectors and union nuts **not** compatible with type 360
- Overall length according to EN 558
- Connecting dimension: ISO 7005, EN 1092, BS 4504, DIN 2501



d (mm)	DN (mm)	PN (bar)	kv-value ( $\Delta p=1$ bar) (l/min)	FPM Code	Weight (kg)
75	65	16	2950	<b>175 561 288</b>	9.230
90	80	16	3600	<b>175 561 289</b>	13.430
110	100	16	4150	<b>175 561 290</b>	18.200

d (mm)	D (mm)	D1 (mm)	D3 (mm)	H (mm)	H1 (mm)	L (mm)	L1 (mm)	L2 (mm)	L3 (mm)	L4 (mm)	L5 (mm)	L6 (mm)	M	closest inch (inch)
75	166	145	18	149	85	280	270	136	290	70	64	206	M8	2 ½
90	200	160	18	161	105	296	270	141	310	70	64	206	M8	3
110	238	180	18	178	123	336	320	164	350	120	64	206	M12	4

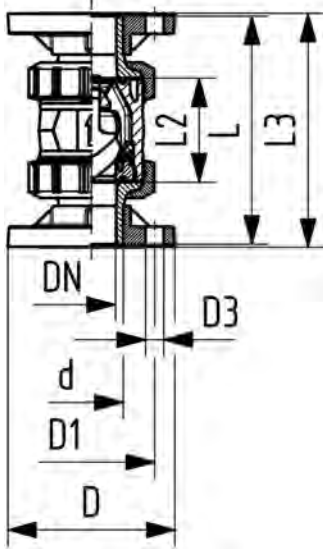


**SYGEF Standard**  
**Check valve type 561**  
**With fixed flanges metric**

**Model:**

- Material: PVDF
- Sealing at a minimum water column of 2 m
- Designed for easy installation and removal
- Vibration free even at high flow velocity
- Flow-optimized return cone, double guided
- For vertical installation
- Compact installation length, same as ball valve type 546
- Installation length according to EN 558-1
- Z-length, end connectors and union nuts **not** compatible with type 360
- Connecting dimension: ISO 7005 PN10, EN 1092 PN10, DIN 2501 PN10

Warning: please make sure the diameter is not reduced through welding beads (Danger of turbulences)



d (mm)	DN (mm)	PN (bar)	kv-value ( $\Delta p=1$ bar) (l/min)	FPM Code	Weight (kg)	D (mm)	D1 (mm)	D3 (mm)	L (mm)	L2 (mm)	L3 (mm)	closest inch (inch)
20	15	16	180	<b>175 561 192</b>	0.420	93	65	14	120	56	130	½
25	20	16	380	<b>175 561 193</b>	0.700	103	75	14	140	65	150	¾
32	25	16	460	<b>175 561 194</b>	0.860	115	85	14	150	71	160	1
40	32	16	850	<b>175 561 195</b>	1.430	137	100	18	170	85	180	1 ¼
50	40	16	1080	<b>175 561 196</b>	1.940	147	110	18	190	89	200	1 ½
63	50	16	1670	<b>175 561 197</b>	3.160	162	125	18	220	101	230	2

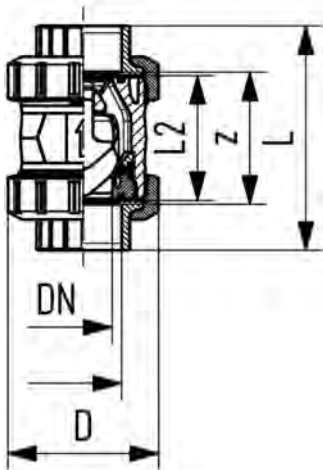


**SYGEF Standard**  
**Check valve type 561**  
**With threaded sockets NPT**

**Model:**

- Material: PVDF
- Sealing at a minimum water column of 2 m
- Designed for easy installation and removal
- Vibration free even at high flow velocity
- Flow-optimized return cone, double guided
- For vertical installation
- Compact installation length, same as ball valve type 546
- Z-length, end connectors and union nuts **not** compatible with type 360

Warning: please make sure the diameter is not reduced through welding beads (Danger of turbulences)



NPT (inch)	DN (mm)	PN (bar)	kv-value ( $\Delta p=1$ bar) (l/min)	FPM Code	Weight (kg)	D (mm)	L (mm)	L2 (mm)	z (mm)
¾	10	10	190	<b>175 561 111</b>	0.150	50	96	56	69
½	15	10	180	<b>175 561 112</b>	0.160	50	99	56	64
¾	20	10	380	<b>175 561 113</b>	0.350	58	111	65	76
1	25	10	460	<b>175 561 114</b>	0.390	68	127	71	83
1 ¼	32	10	850	<b>175 561 115</b>	0.680	84	146	85	101
1 ½	40	10	1080	<b>175 561 116</b>	1.000	97	157	89	111
2	50	10	1670	<b>175 561 117</b>	1.770	124	183	101	135

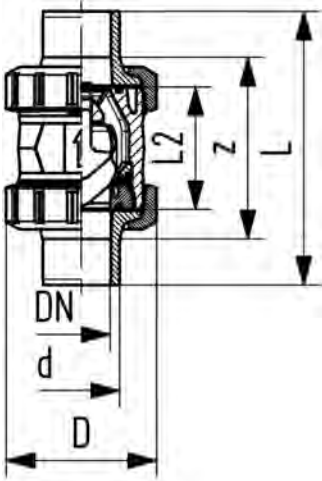


**SYGEF Standard**  
**Check valve type 561**  
 With socket fusion spigots metric

**Model:**

- Material: PVDF
- Sealing at a minimum water column of 2 m
- Designed for easy installation and removal
- Vibration free even at high flow velocity
- Flow-optimized return cone, double guided
- For vertical installation
- Compact installation length, same as ball valve type 546
- Z-length, end connectors and union nuts **not** compatible with type 360

Warning: please make sure the diameter is not reduced through welding beads (Danger of turbulences)



d (mm)	DN (mm)	PN (bar)	kv-value ( $\Delta p=1$ bar) (l/min)	FPM Code	Weight (kg)	D (mm)	L (mm)	L2 (mm)	closest inch (inch)
16	10	16	190	<b>175 561 051</b>	0.160	50	110	56	3/8
20	15	16	180	<b>175 561 052</b>	0.170	50	120	56	1/2
25	20	16	380	<b>175 561 053</b>	0.370	58	139	65	3/4
32	25	16	460	<b>175 561 054</b>	0.400	68	150	71	1
40	32	16	850	<b>175 561 055</b>	0.670	84	170	85	1 1/4
50	40	16	1080	<b>175 561 056</b>	1.030	97	190	89	1 1/2
63	50	16	1670	<b>175 561 057</b>	1.830	124	220	101	2

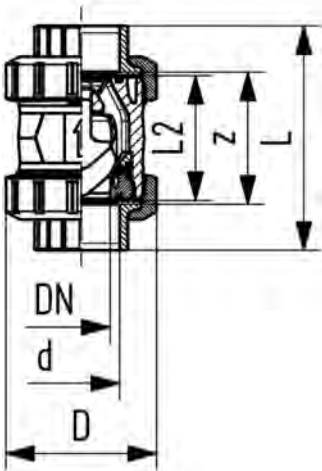


**SYGEF Standard**  
**Check valve type 561**  
 With fusion sockets metric

**Model:**

- Material: PVDF
- Sealing at a minimum water column of 2 m
- Designed for easy installation and removal
- Vibration free even at high flow velocity
- Flow-optimized return cone, double guided
- For vertical installation
- Compact installation length, same as ball valve type 546
- Z-length, end connectors and union nuts **not** compatible with type 360

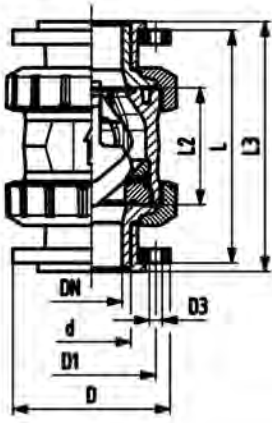
Warning: please make sure the diameter is not reduced through welding beads (Danger of turbulences)



d (mm)	DN (mm)	PN (bar)	kv-value ( $\Delta p=1$ bar) (l/min)	FPM Code	Weight (kg)	D (mm)	L (mm)	L2 (mm)	z (mm)	closest inch (inch)
16	10	16	190	<b>175 561 011</b>	0.160	50	93	56	67	3/8
20	15	16	180	<b>175 561 012</b>	0.160	50	95	56	66	1/2
25	20	16	380	<b>175 561 013</b>	0.340	58	109	65	77	3/4
32	25	16	460	<b>175 561 014</b>	0.360	68	119	71	83	1
40	32	16	850	<b>175 561 015</b>	0.670	84	135	85	99	1 1/4
50	40	16	1080	<b>175 561 016</b>	0.990	97	147	89	105	1 1/2
63	50	16	1670	<b>175 561 017</b>	1.770	124	168	101	117	2



**SYGEF Standard**  
**Check valve type 562**  
**With backing flanges PP-st metric**



**Model:**

- Material: PVDF
- For horizontal or vertical installation
- Sealing at a minimum water column of 1 m
- Spring loaded, spring made of stainless steel (1.4310)
- Spring available in other materials, see spare parts
- Designed for easy installation and removal
- Vibration free even at high flow velocity
- Flow-optimized return cone, double guided
- Compact installation length, same as ball valve type 546
- Z-length, end connectors and union nuts **not** compatible with type 360
- Overall length according to EN 558
- Connecting dimension: ISO 7005, EN 1092, BS 4504, DIN 2501

Warning: please make sure the diameter is not reduced through welding beads (Danger of turbulences)

d (mm)	DN (mm)	PN (bar)	kv-value ( $\Delta p=1$ bar) (l/min)	FPM Code	Weight (kg)
75	65	16	2950	<b>175 562 288</b>	9.230
90	80	16	3600	<b>175 562 289</b>	13.430
110	100	16	4150	<b>175 562 290</b>	18.200

d (mm)	D (mm)	D1 (mm)	D3 (mm)	H (mm)	H1 (mm)	L (mm)	L1 (mm)	L2 (mm)	L3 (mm)	L4 (mm)	L5 (mm)	L6 (mm)	M	closest inch (inch)
75	166	145	18	149	85	280	270	136	290	70	64	206	M8	1 ¼
90	200	160	18	161	105	296	270	141	310	70	64	206	M8	1 ½
110	238	180	18	178	123	336	320	164	350	120	64	206	M12	2

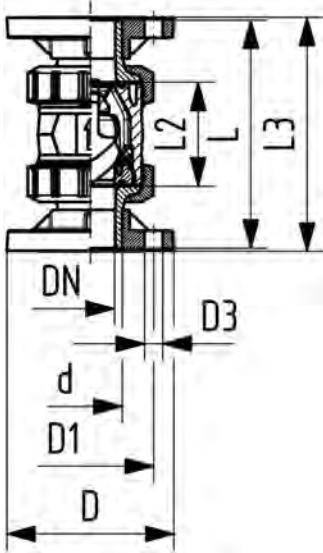


**SYGEF Standard**  
**Check valve type 562**  
**With fixed flanges metric**

**Model:**

- Material: PVDF
- For horizontal or vertical installation
- Sealing at a minimum water column of 1 m
- Spring loaded, spring made of stainless steel (1.4310)
- Spring available in other materials, see spare parts
- Designed for easy installation and removal
- Vibration free even at high flow velocity
- Flow-optimized return cone, double guided
- Compact installation length, same as ball valve type 546
- Installation length according to EN 558-1
- Z-length, end connectors and union nuts **not** compatible with type 360
- Connecting dimension: ISO 7005 PN10, EN 1092 PN10, DIN 2501 PN10

Warning: please make sure the diameter is not reduced through welding beads (Danger of turbulences)



d (mm)	DN (mm)	PN (bar)	kv-value ( $\Delta p=1$ bar) (l/min)	FPM Code	Weight (kg)	D (mm)	D1 (mm)	D3 (mm)	L (mm)	L2 (mm)	L3 (mm)	closest inch (inch)
20	15	16	180	<b>175 562 192</b>	0.420	93	65	14	120	56	130	½
25	20	16	380	<b>175 562 193</b>	0.700	103	75	14	140	65	150	¾
32	25	16	460	<b>175 562 194</b>	0.860	115	85	14	150	71	160	1
40	32	16	850	<b>175 562 195</b>	1.430	137	100	18	170	85	180	1 ¼
50	40	16	1080	<b>175 562 196</b>	1.940	147	110	18	190	89	200	1 ½
63	50	16	1670	<b>175 562 197</b>	3.160	162	125	18	220	101	230	2

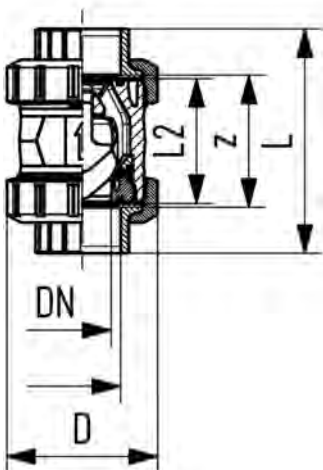


**SYGEF Standard**  
**Check valve type 562**  
**With threaded sockets NPT**

**Model:**

- Material: PVDF
- For horizontal or vertical installation
- Sealing at a minimum water column of 1 m
- Spring loaded, spring made of stainless steel (1.4310)
- Spring available in other materials, see spare parts
- Designed for easy installation and removal
- Vibration free even at high flow velocity
- Flow-optimized return cone, double guided
- Compact installation length, same as ball valve type 546
- Z-length, end connectors and union nuts **not** compatible with type 360

Warning: please make sure the diameter is not reduced through welding beads (Danger of turbulences)



NPT (inch)	DN (mm)	PN (bar)	kv-value ( $\Delta p=1$ bar) (l/min)	FPM Code	Weight (kg)	D (mm)	L (mm)	L2 (mm)	z (mm)
¾	10	10	190	<b>175 562 111</b>	0.150	50	96	56	69
½	15	10	180	<b>175 562 112</b>	0.160	50	99	56	64
¾	20	10	380	<b>175 562 113</b>	0.350	58	111	65	76
1	25	10	460	<b>175 562 114</b>	0.390	68	127	71	83
1 ¼	32	10	850	<b>175 562 115</b>	0.680	84	146	85	101
1 ½	40	10	1080	<b>175 562 116</b>	1.000	97	157	89	111
2	50	10	1670	<b>175 562 117</b>	1.770	124	183	101	135

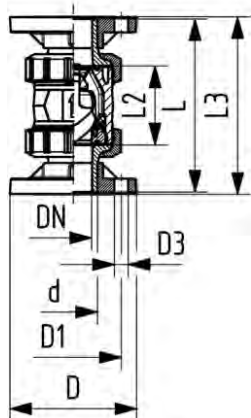


**SYGEF Standard**  
**Check valve type 562**  
**With fixed flanges ANSI**

**Model:**

- Material: PVDF
- Sealing at a minimum water column of 2 m
- Designed for easy installation and removal
- Vibration free even at high flow velocity
- Flow-optimized return cone, double guided
- For vertical installation
- Compact installation length, same as ball valve type 546
- Installation length according to EN 558-1
- Z-length, end connectors and union nuts **not** compatible with type 360
- Connecting dimension: ANSI/ASME B 16.5 class 150, ASTM D 4024, BS 1560, BS EN 1759

Warning: please make sure the diameter is not reduced through welding beads (Danger of turbulences)



d	DN	PN	kv-value	FPM	D	D1	D3	L	L2	L3	closest	
(mm)	(mm)	(bar)	( $\Delta p=1$ bar)	Code	(mm)	(mm)	(mm)	(mm)	(mm)	(mm)	inch	
			(l/min)									(inch)
20	15	16	180		93	65	14	120	56	130	½	
25	20	16	380		103	75	14	140	65	150	¾	
32	25	16	460	<b>800 052 131</b>	115	85	14	150	71	160	1	
40	32	16	850		137	100	18	170	85	180	1 ¼	
50	40	16	1080	<b>800 052 132</b>	147	110	18	190	89	200	1 ½	
63	50	16	1670		162	125	18	220	101	230	2	

## Process control valves

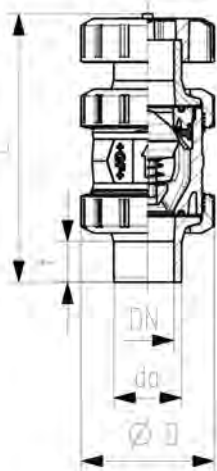


### SYGEF Standard Ventilating valve type 595 With socket fusion spigots metric

#### Model:

- Material: PVDF
- With protection cap up to DN50 made of PP-GF, DN65-100 made of POM
- Spring HALAR coated
- Spring available in other materials, see spare parts
- Designed for easy installation and removal
- Compact installation length

d (mm)	DN (mm)	PN (bar)	FPM Code	D (mm)	L (mm)	t (mm)	closest inch (inch)
16	10	16	175 595 031	50	135	13	3/8
20	15	16	175 595 032	50	140	14	1/2
25	20	16	175 595 033	58	157	16	3/4
32	25	16	175 595 034	68	168	18	1
40	32	16	175 595 035	84	189	20	1 1/4
50	40	16	175 595 036	97	211	23	1 1/2
63	50	16	175 595 037	124	245	27	2

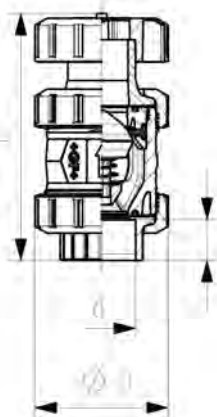


### SYGEF Standard Ventilating valve type 595 With fusion sockets metric

#### Model:

- Material: PVDF
- With protection cap up to DN50 made of PP-GF, DN65-100 made of POM
- Spring HALAR coated
- Spring available in other materials, see spare parts
- Designed for easy installation and removal
- Compact installation length

d (mm)	DN (mm)	PN (bar)	FPM Code	D (mm)	L (mm)	t (mm)	closest inch (inch)
16	10	16	175 595 011	50	126	14	3/8
20	15	16	175 595 012	50	127	15	1/2
25	20	16	175 595 013	58	142	16	3/4
32	25	16	175 595 014	68	153	18	1
40	32	16	175 595 015	84	171	19	1 1/4
50	40	16	175 595 016	97	190	21	1 1/2
63	50	16	175 595 017	124	219	26	2
75	65	16	175 595 018	166	256	33	2 1/2
90	80	16	175 595 019	200	275	37	3
110	100	16	175 595 020	238	318	43	4



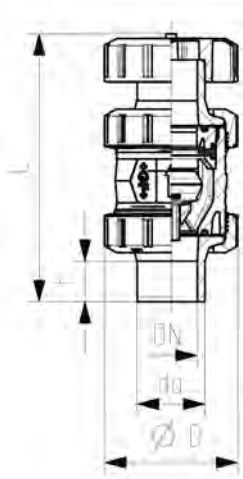


**SYGEF Standard**  
**Ventilating and bleed valve type 591**  
**With socket fusion spigots metric**

**Model:**

- Material: PVDF
- With protection cap up to DN50 made of PP-GF, DN65-100 made of POM
- Special floater made of PVDF
- Designed for easy installation and removal
- Compact installation length

d (mm)	DN (mm)	PN (bar)	FPM Code	D (mm)	L (mm)	t (mm)	closest inch (inch)
16	10	16	175 591 031	50	135	13	3/8
20	15	16	175 591 032	50	140	14	1/2
25	20	16	175 591 033	58	157	16	3/4
32	25	16	175 591 034	68	168	18	1
40	32	16	175 591 035	84	189	20	1 1/4
50	40	16	175 591 036	97	211	23	1 1/2
63	50	16	175 591 037	124	245	27	2

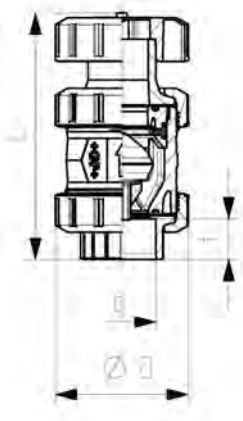


**SYGEF Standard**  
**Ventilating and bleed valve type 591**  
**With fusion sockets metric**

**Model:**

- Material: PVDF
- With protection cap up to DN50 made of PP-GF, DN65-100 made of POM
- Special floater made of PVDF
- Designed for easy installation and removal
- Compact installation length

d (mm)	DN (mm)	PN (bar)	FPM Code	D (mm)	L (mm)	t (mm)	closest inch (inch)
16	10	16	175 591 011	50	126	14	3/8
20	15	16	175 591 012	50	127	15	1/2
25	20	16	175 591 013	58	142	16	3/4
32	25	16	175 591 014	68	153	18	1
40	32	16	175 591 015	84	171	19	1 1/4
50	40	16	175 591 016	97	190	21	1 1/2
63	50	16	175 591 017	124	219	26	2
75	65	16	175 591 018	166	256	33	2 1/2
90	80	16	175 591 019	200	275	37	3
110	100	16	175 591 020	238	318	43	4



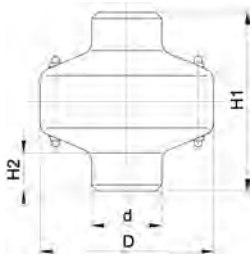


**SYGEF Standard**  
**Gauge guard type Z701**  
**Without manometer**

**Model:**

- Material: PVDF

d (mm)	PTFE Code	Weight (kg)	D (mm)	H1 (mm)	H2 (mm)	G (inch)
25	199 041 010	0.173	72	71	15	¼
32	199 041 011	0.334	100	90	22	½

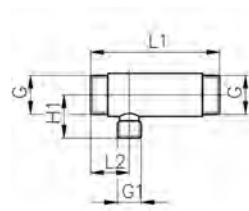


**SYGEF Standard**  
**Water jet suction pump type P20**

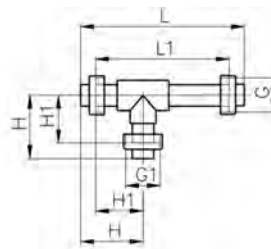
**Model:**

- Material: PVDF
- DN 10-20: BSP parallel female thread
- DN 25-50: Fusion socket metric
- DN 65-80: Fusion spigot metric

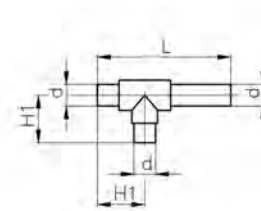
d (mm)	DN (mm)	PN (bar)	FPM Code	Weight (kg)	H (mm)	H1 (mm)	L (mm)	L1 (mm)	L2 (mm)	G (inch)	G1 (inch)	closest inch (inch)
16	10	10	199 041 138	0.184		35	110	40		R ¾	R ¾	¾
20	15	10	199 041 139	0.278		35	110	40		R 1	R ¾	½
25	20	10	199 041 140	0.476		45	145	45		R 1½	R ¾	¾
32	25	10	199 041 141	0.690	96	71	245	195		R 1½	R 1½	1
40	32	10	199 041 142	1.100	116	87	297	239		R 2	R 2	1 ¼
50	40	10	199 041 143	1.649	139	105	369	301		R 2¼	R 2¼	1 ½
63	50	10	199 041 144	3.340	169	128	433	351		R 2¾	R 2¾	2
75	65	10	199 041 145	3.340		115	388					2 ½
90	80	10	199 041 146	5.500		149	465					3



DN 10 - 20



DN 25 - 50



DN 65 - 80

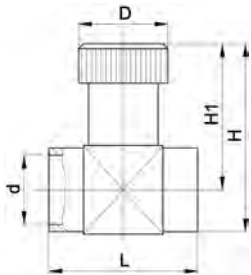




**SYGEF Standard**  
**Throttle valve type V251**  
**With fusion sockets metric**

**Model:**

- Material: PVDF



d (mm)	DN (mm)	PN (bar)	FPM Code	Weight (kg)	D (mm)	H (mm)	H1 (mm)	L (mm)	closest inch (inch)
16	10	10	<b>199 041 231</b>	0.100	29	57	45	47	3/8
20	15	10	<b>199 041 232</b>	0.106	35	66	51	55	1/2
25	20	10	<b>199 041 233</b>	0.143	40	80	63	66	3/4
32	25	10	<b>199 041 234</b>	0.273	47	96	75	80	1
40	32	10	<b>199 041 235</b>	0.400	56	111	86	100	1 1/4
50	40	10	<b>199 041 236</b>	0.923	70	133	101	120	1 1/2
63	50	10	<b>199 041 237</b>	1.300	88	158	118	146	2

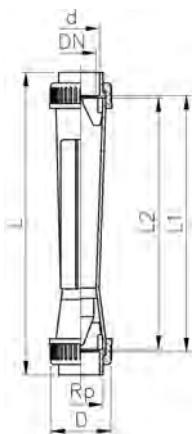
**Special version PVDF**



**Special version PVDF**  
**Float in PVDF (red) without magnet**

Dimension L and L1 only valid for socket connection  
 Dimension L2 describes taper tube length

Type	d (mm)	DN (mm)	Scale range (l/h)	Taper tube in PVDF O-rings in FPM fusion socket Code	Weight (kg)	Taper tube in PVDF O-rings in FPM IR fusion spigot Code	Weight (kg)
SK 10	32	25	50 - 500	<b>198 806 466</b>	0.571	<b>198 803 905</b>	0.520
SK 11	32	25	100 - 1000	<b>198 806 467</b>	0.520	<b>198 803 906</b>	0.520
SK 20	50	40	200 - 2000	<b>198 806 468</b>	1.259	<b>198 803 907</b>	1.220
SK 21	50	40	300 - 3000	<b>198 806 469</b>	1.247	<b>198 803 908</b>	1.220
SK 30	63	50	600 - 6000	<b>198 806 470</b>	1.698	<b>198 803 909</b>	1.785
SK 31	63	50	1200 - 12000	<b>198 806 471</b>	1.587	<b>198 803 910</b>	1.680
SK 40	75	65	2000 - 20000		2.900	<b>198 803 911</b>	2.900
SK 41	75	65	3000 - 30000		2.900	<b>198 803 912</b>	2.900



Type	D (mm)	L (mm)	L (IR-SS) (mm)	L1 (mm)	L2 (mm)	G (inch)
SK 10	60	385	443	341	335	1 1/2
SK 11	60	385	443	341	335	1 1/2
SK 20	83	403	459	341	335	2 1/4
SK 21	83	403	459	341	335	2 1/4
SK 30	103	417	461	339	335	2 3/4
SK 31	103	417	461	339	335	2 3/4
SK 40	122	429	453	341	335	3 1/2
SK 41	122	429	453	341	335	3 1/2

# SYGEF Standard

Valves Silicone Free

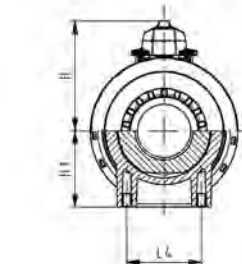
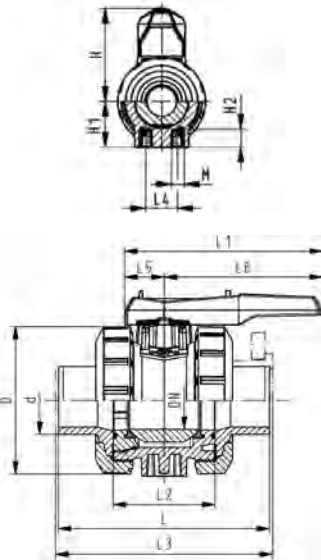
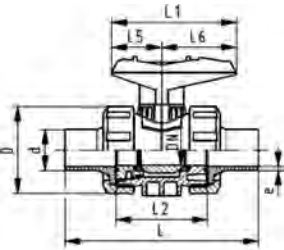


# Hand-operated valves cleaned

## Ball valves silicone free/paint compatible



DN10/15 - 50



**SYGEF Standard oil free**  
**Ball valve type 546**  
**With mounting inserts**  
**With butt fusion spigots IR-Plus metric**

**Model:**

- Material: PVDF/oil free cleaned
- Union ends for easy installation and removal
- Integrated stainless steel mounting inserts
- z-dimension, valve end and union nut are not compatible with type 346

**Option:**

- Individual configuration of the valve (see diagram)
- Multifunctional module with integrated limit switches
- Pneumatic or electric actuators from +GF+

d (mm)	DN (mm)	PN (bar)	kv-value ( $\Delta p=1$ bar) (l/min)	FPM Code	Weight (kg)
20	15	16	185	<b>175 546 492</b>	0.202
25	20	16	350	<b>175 546 493</b>	0.301
32	25	16	700	<b>175 546 494</b>	0.438
40	32	16	1000	<b>175 546 495</b>	0.780
50	40	16	1600	<b>175 546 496</b>	1.057
63	50	16	3100	<b>175 546 497</b>	2.150
75	65	16	5000	<b>175 546 498</b>	6.600
90	80	16	7000	<b>175 546 499</b>	9.700
110	100	16	11000	<b>175 546 500</b>	15.300

d (mm)	D (mm)	H (mm)	H1 (mm)	H2 (mm)	L (mm)	L1 (mm)	L2 (mm)	L4 (mm)	L5 (mm)	L6 (mm)	M	e (mm)	closest inch (inch)
20	50	57	27	12	130	77	56	25	32	45	M6	1.9	1/2
25	58	67	30	12	143	97	65	25	39	58	M6	1.9	3/4
32	68	73	36	12	150	97	71	25	39	58	M6	2.4	1
40	84	90	44	15	171	128	85	45	54	74	M8	2.4	1 1/4
50	97	97	51	15	191	128	89	45	54	74	M8	3.0	1 1/2
63	124	116	64	15	220	152	101	45	66	87	M8	3.0	2
75	166	149	85	15	266	270	136	70	64	206	M8	3.6	2 1/2
90	200	161	105	15	264	270	141	70	64	206	M8	4.3	3
110	238	178	123	22	301	320	164	120	64	256	M12	5.3	4



DN10/15 - 50



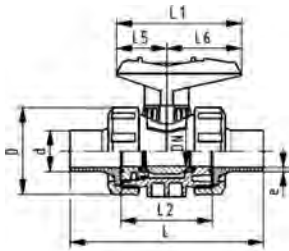
**SYGEF Standard silicone free  
Ball valve type 546  
With mounting inserts  
With butt fusion spigots IR-Plus metric**

**Model:**

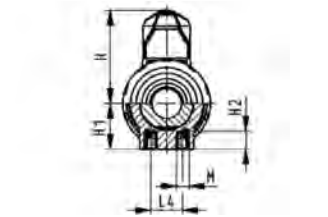
- Material: PVDF / silicone free cleaned
- For easy installation and removal
- Ball seals PVDF
- Integrated stainless steel mounting inserts
- z-dimension, valve end and union nut are not compatible with type 346

**Option:**

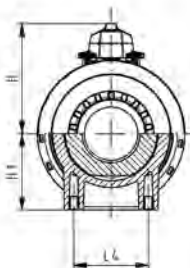
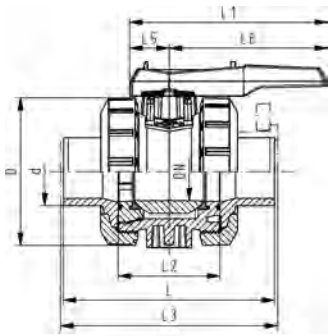
- Individual configuration of the valve (see diagram)
- Multifunctional module with integrated limit switches
- Pneumatic or electric actuators from +GF+



d (mm)	DN (mm)	PN (bar)	kv-value ( $\Delta p=1$ bar) (l/min)	FPM Code	Weight (kg)
20	15	16	185	<b>175 546 752</b>	0.201
25	20	16	350	<b>175 546 753</b>	0.310
32	25	16	700	<b>175 546 754</b>	0.460
40	32	16	1000	<b>175 546 755</b>	0.780
50	40	16	1600	<b>175 546 756</b>	1.110
63	50	16	3100	<b>175 546 757</b>	2.150
75	65	16	5000	<b>175 546 758</b>	6.600
90	80	16	7000	<b>175 546 759</b>	9.700
110	100	16	11000	<b>175 546 760</b>	15.300



d (mm)	D (mm)	H (mm)	H1 (mm)	H2 (mm)	L (mm)	L1 (mm)	L2 (mm)	L4 (mm)	L5 (mm)	L6 (mm)	M	e (mm)	closest inch (inch)
20	50	57	27	12	130	77	56	25	32	45	M6	1.9	½
25	58	67	30	12	143	97	65	25	39	58	M6	1.9	¾
32	68	73	36	12	150	97	71	25	39	58	M6	2.4	1
40	84	90	44	15	171	128	85	45	54	74	M8	2.4	1 ¼
50	97	97	51	15	191	128	89	45	54	74	M8	3.0	1 ½
63	124	116	64	15	220	152	101	45	66	87	M8	3.0	2
75	166	149	85	15	266	270	136	70	64	206	M8	3.6	2 ½
90	200	161	105	15	264	270	141	70	64	206	M8	4.3	3
110	238	178	123	22	301	320	164	120	64	256	M12	5.3	4





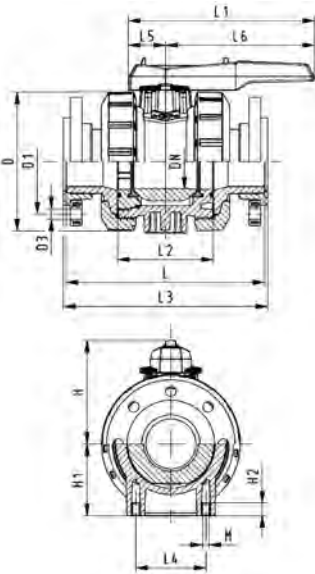
**SYGEF Standard silicone free  
Ball valve type 546  
With mounting inserts  
With backing flanges PP-st metric**

**Model:**

- Material: PVDF / silicone free cleaned
- For easy installation and removal
- Ball seals PVDF
- Integrated stainless steel mounting inserts
- Overall length according to EN 558
- Connecting dimension: ISO 7005, EN 1092, BS 4504, DIN 2501

**Option:**

- Individual configuration of the valve (see diagram)
- Multifunctional module with integrated limit switches
- Pneumatic or electric actuators from +GF+



d (mm)	DN (mm)	PN (bar)	kv-value ( $\Delta p=1$ bar) (l/min)	FPM Code	Weight (kg)
75	65	16	5000	<b>175 546 828</b>	11.700
90	80	16	7000	<b>175 546 829</b>	16.000
110	100	16	11000	<b>175 546 830</b>	23.900

d (mm)	DN (mm)	D (mm)	D1 (mm)	D3 (mm)	H (mm)	H1 (mm)	L (mm)	L1 (mm)	L2 (mm)	L3 (mm)	L4 (mm)	L5 (mm)	L6 (mm)	M	closest inch (inch)
75	65	166	145	18	149	85	280	270	136	290	70	64	206	8	2 ½
90	80	200	160	18	161	105	296	270	141	310	70	64	206	8	3
110	100	238	180	18	178	123	336	320	164	350	120	64	256	12	4



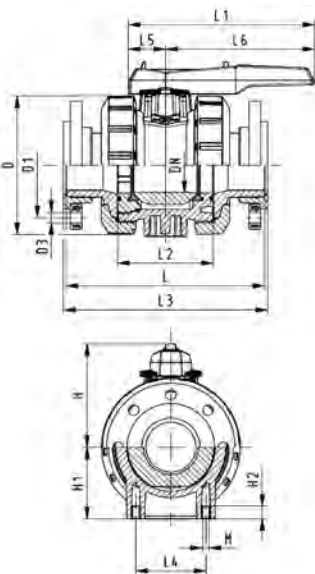
**SYGEF Standard silicone free  
Ball valve type 546  
With mounting inserts  
With backing flanges PP-st Inch ANSI**

**Model:**

- Material: PVDF / silicone free cleaned
- For easy installation and removal
- Ball seals PVDF
- Ball seals PTFE
- Integrated stainless steel mounting inserts
- Overall length according to EN 558
- Connecting dimension ANSI/ASME B 16.5 / ASTM D 4024

**Option:**

- Individual configuration of the valve (see diagram)
- Multifunctional module with integrated limit switches
- Pneumatic or electric actuators from +GF+



d (mm)	DN (mm)	PN (bar)	kv-value ( $\Delta p=1$ bar) (l/min)	FPM Code	Weight (kg)
75	65	16	5000	<b>175 546 838</b>	11.700
90	80	16	7000	<b>175 546 839</b>	16.000
110	100	16	11000	<b>175 546 840</b>	23.900

d (mm)	D (mm)	D1 (mm)	D3 (mm)	H (mm)	H1 (mm)	L (mm)	L1 (mm)	L2 (mm)	L3 (mm)	L4 (mm)	L5 (mm)	L6 (mm)	M	closest inch (inch)
75	166	140	19	149	85	280	270	136	290	70	64	206	8	2 ½
90	200	152	19	161	105	296	270	141	310	70	64	206	8	3
110	238	191	19	178	123	336	320	164	350	120	64	256	12	4



DN10/15 - 50



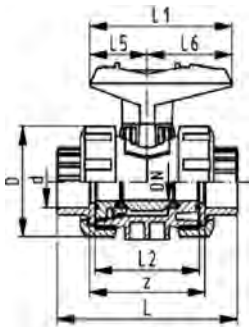
**SYGEF Standard silicone free  
Ball valve type 546  
With mounting inserts  
With fusion sockets metric**

**Model:**

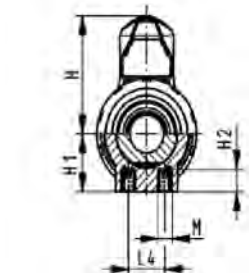
- Material: PVDF / silicone free cleaned
- For easy installation and removal
- Ball seals PVDF
- Integrated stainless steel mounting inserts
- z-dimension, valve end and union nut are not compatible with type 346

**Option:**

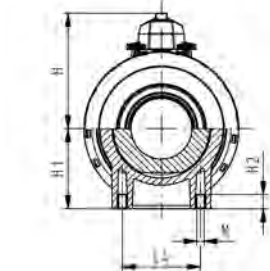
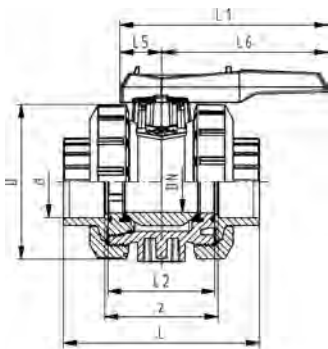
- Individual configuration of the valve (see diagram)
- Multifunctional module with integrated limit switches
- Pneumatic or electric actuators from +GF+



d (mm)	DN (mm)	PN (bar)	kv-value ( $\Delta p=1$ bar) (l/min)	FPM Code	Weight (kg)
16	10	16	71	<b>175 546 691</b>	0.195
20	15	16	185	<b>175 546 692</b>	0.200
25	20	16	350	<b>175 546 693</b>	0.300
32	25	16	700	<b>175 546 694</b>	0.440
40	32	16	1000	<b>175 546 695</b>	0.760
50	40	16	1600	<b>175 546 696</b>	1.060
63	50	16	3100	<b>175 546 697</b>	2.055
75	65	16	5000	<b>175 546 698</b>	6.300
90	80	16	7000	<b>175 546 699</b>	9.500
110	100	16	11000	<b>175 546 700</b>	15.000



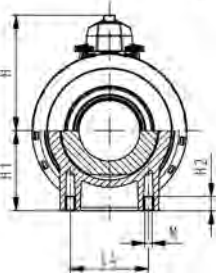
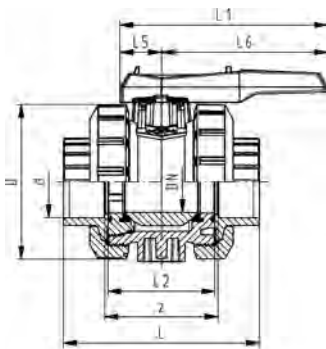
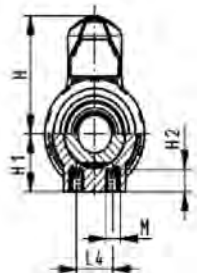
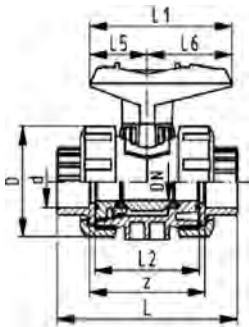
d (mm)	D (mm)	H (mm)	H1 (mm)	H2 (mm)	L (mm)	L1 (mm)	L2 (mm)	L4 (mm)	L5 (mm)	L6 (mm)	M	z (mm)	closest inch (inch)
16	50	79	27	12	93	77	56	25	32	45	M6	67	3/8
20	50	57	27	12	95	77	56	25	32	45	M6	66	1/2
25	58	67	30	12	109	97	65	25	39	58	M6	77	3/4
32	68	73	36	12	119	97	71	25	39	58	M6	83	1
40	84	90	44	15	135	128	85	45	54	74	M8	99	1 1/4
50	97	97	51	15	147	128	89	45	54	74	M8	105	1 1/2
63	124	116	64	15	168	152	101	45	66	87	M8	117	2
75	166	149	85	15	233	270	136	70	64	206	M8	167	2 1/2
90	200	161	105	15	254	270	141	70	64	206	M8	180	3
110	238	178	123	22	301	320	164	120	64	256	M12	215	4







DN10/15 - 50



**SYGEF Standard oil free  
Ball valve type 546  
With mounting inserts  
With fusion sockets metric**

**Model:**

- Material: PVDF/oil free cleaned
- For easy installation and removal
- Ball seals PTFE
- Integrated stainless steel mounting inserts
- z-dimension, valve end and union nut are not compatible with type 346

**Option:**

- Individual configuration of the valve (see diagram)
- Multifunctional module with integrated limit switches

d (mm)	DN (mm)	PN (bar)	kv-value ( $\Delta p=1$ bar) (L/min)	FPM Code	Weight (kg)
16	10	16	71	<b>175 546 471</b>	0.195
20	15	16	185	<b>175 546 472</b>	0.200
25	20	16	350	<b>175 546 473</b>	0.298
32	25	16	700	<b>175 546 474</b>	0.429
40	32	16	1000	<b>175 546 475</b>	0.754
50	40	16	1600	<b>175 546 476</b>	1.009
63	50	16	3100	<b>175 546 477</b>	2.055
75	65	16	5000	<b>175 546 478</b>	6.300
90	80	16	7000	<b>175 546 479</b>	9.500
110	100	16	11000	<b>175 546 480</b>	15.000

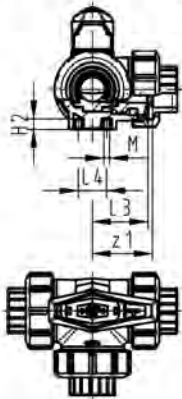
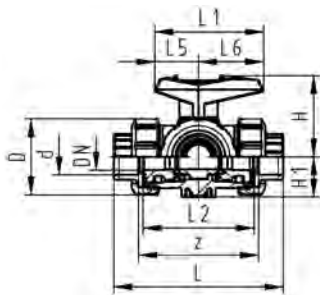
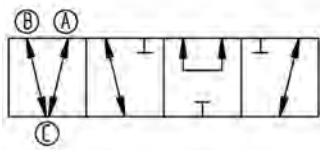
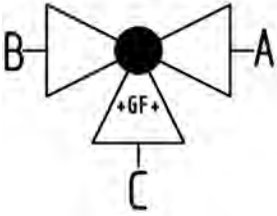
d (mm)	D (mm)	H (mm)	H1 (mm)	H2 (mm)	L (mm)	L1 (mm)	L2 (mm)	L4 (mm)	L5 (mm)	L6 (mm)	M	z (mm)	closest inch (inch)
16	50	57	27	12	93	77	56	25	32	45	M6	67	3/8
20	50	57	27	12	95	77	56	25	32	45	M6	66	1/2
25	58	67	30	12	109	97	65	25	39	58	M6	77	3/4
32	68	73	36	12	119	97	71	25	39	58	M6	83	1
40	84	90	44	15	135	128	85	45	54	74	M8	99	1 1/4
50	97	97	51	15	147	128	89	45	54	74	M8	105	1 1/2
63	124	116	64	15	168	152	101	45	66	87	M8	117	2
75	166	149	85	15	233	270	136	70	64	206	M8	167	2 1/2
90	200	161	105	15	254	270	141	70	64	206	M8	180	3
110	238	178	123	22	301	320	164	120	64	256	M12	215	4



**SYGEF Standard oil free  
3-Way ball valve type 543  
Horizontal/T-port  
With fusion sockets metric**

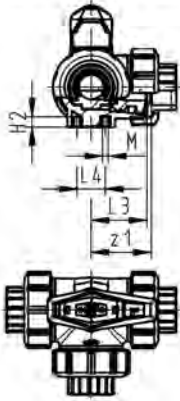
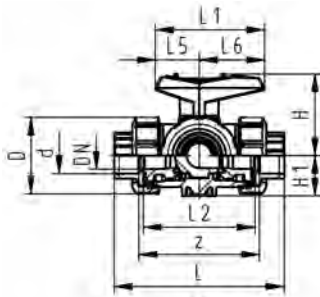
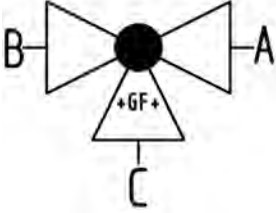
**Model:**

- Material: PVDF/oil free cleaned
- For easy installation and removal (valve end and union nut are compatible with type 546)
- Ball seals PTFE
- Pneumatic or electric actuator available separately
- Angle of operation 360° without turn limiter
- Turn limiter 90° enclosed, in different positions usable as a clip-on ring
- Integrated stainless steel mounting inserts
- Delivery status A-B-C opened, see flow scheme



d (mm)	DN (mm)	PN (bar)	kv-value ( $\Delta p=1$ bar) (L/min)	FPM Code	Weight (kg)
16	10	10	140	<b>175 543 631</b>	0.311
20	15	10	200	<b>175 543 632</b>	0.319
25	20	10	470	<b>175 543 633</b>	0.458
32	25	10	793	<b>175 543 634</b>	0.695
40	32	10	1290	<b>175 543 635</b>	1.185
50	40	10	1910	<b>175 543 636</b>	1.751
63	50	10	3100	<b>175 543 637</b>	3.405

d (mm)	D (mm)	H (mm)	H1 (mm)	H2 (mm)	L (mm)	L1 (mm)	L2 (mm)	L3 (mm)	L4 (mm)	L5 (mm)	L6 (mm)	M (mm)	z (mm)	z1 (mm)	closest inch (inch)
16	50	57	28	8	110	77	72	36	25	32	45	6	82	41	3/8
20	50	57	28	8	112	77	72	36	25	32	45	6	82	41	1/2
25	58	67	32	8	129	97	85	43	25	39	58	6	97	49	3/4
32	68	73	36	8	146	97	98	49	25	39	58	6	110	55	1
40	84	90	45	9	170	128	118	59	45	54	74	8	132	66	1 1/4
50	97	97	51	9	193	128	135	68	45	54	74	8	151	76	1 1/2
63	124	116	65	9	244	152	176	88	45	66	87	8	188	94	2



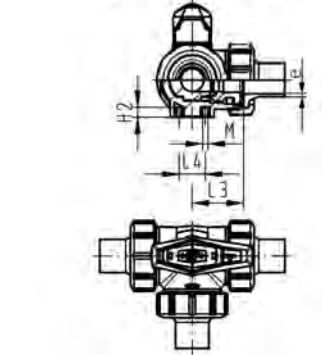
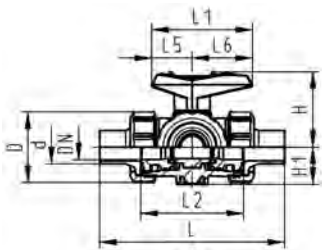
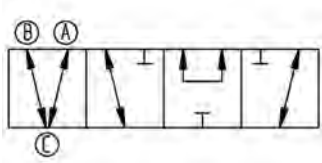
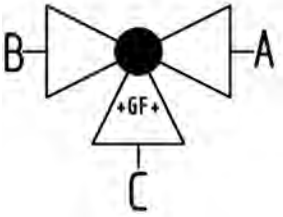
**SYGEF Standard oil free  
3-Way ball valve type 543  
Horizontal/L-port  
With fusion sockets metric**

**Model:**

- Material: PVDF/oil free cleaned
- For easy installation and removal (valve end and union nut are compatible with type 546)
- Ball seals PTFE
- Pneumatic or electric actuator available separately
- Angle of operation 360° without turn limiter
- Turn limiter 90° enclosed, in different positions usable as a clip-on ring
- Integrated stainless steel mounting inserts
- Delivery status A-C opened, see flow scheme

d (mm)	DN (mm)	PN (bar)	kv-value ( $\Delta p=1$ bar) (L/min)	FPM Code	Weight (kg)
16	10	10	50	<b>175 543 611</b>	0.312
20	15	10	75	<b>175 543 612</b>	0.320
25	20	10	150	<b>175 543 613</b>	0.423
32	25	10	280	<b>175 543 614</b>	0.653
40	32	10	480	<b>175 543 615</b>	1.121
50	40	10	620	<b>175 543 616</b>	1.778
63	50	10	1230	<b>175 543 617</b>	3.462

d (mm)	D (mm)	H (mm)	H1 (mm)	H2 (mm)	L (mm)	L1 (mm)	L2 (mm)	L3 (mm)	L4 (mm)	L5 (mm)	L6 (mm)	M (mm)	z (mm)	z1 (mm)	closest inch (inch)
16	50	57	28	8	110	77	72	36	25	32	45	6	82	41	$\frac{3}{8}$
20	50	57	28	8	112	77	72	36	25	32	45	6	82	41	$\frac{1}{2}$
25	58	67	32	8	129	97	85	43	25	39	58	6	97	49	$\frac{3}{4}$
32	68	73	36	8	146	97	98	49	25	39	58	6	110	55	1
40	84	90	45	9	170	128	118	59	45	54	74	8	132	66	1 $\frac{1}{4}$
50	97	97	51	9	193	128	135	68	45	54	74	8	151	76	1 $\frac{1}{2}$
63	124	116	65	9	244	152	176	88	45	66	87	8	188	94	2



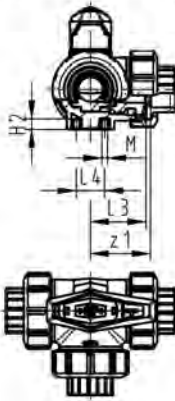
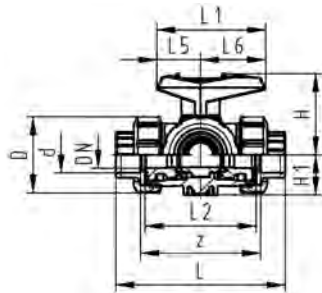
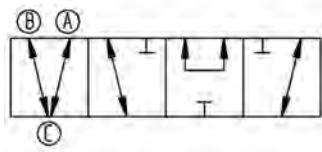
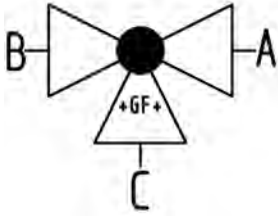
**SYGEF Standard silicone free  
3-Way ball valve type 543  
Horizontal/T-port  
With butt fusion spigots IR-Plus metric**

**Model:**

- Material: PVDF / silicone free cleaned
- For easy installation and removal (valve end and union nut are compatible with type 546)
- Ball seals PVDF
- Pneumatic or electric actuator available separately
- Angle of operation 360° without turn limiter
- Turn limiter 90° enclosed, in different positions usable as a clip-on ring
- Integrated stainless steel mounting inserts
- Delivery status A-B-C opened, see flow scheme

d (mm)	DN (mm)	PN (bar)	kv-value ( $\Delta p=1$ bar) (l/min)	FPM Code	Weight (kg)
20	15	10	200	<b>175 543 352</b>	0.330
25	20	10	470	<b>175 543 353</b>	0.478
32	25	10	793	<b>175 543 354</b>	0.726
40	32	10	1290	<b>175 543 355</b>	1.212
50	40	10	1910	<b>175 543 356</b>	1.832
63	50	10	3100	<b>175 543 357</b>	3.566

d (mm)	D (mm)	H (mm)	H1 (mm)	H2 (mm)	L (mm)	L1 (mm)	L2 (mm)	L3 (mm)	L4 (mm)	L5 (mm)	L6 (mm)	M (mm)	e (mm)	closest inch (inch)
20	50	57	28	8	146	77	72	36	25	32	45	6	2	1/2
25	58	67	32	8	163	97	85	43	25	39	58	6	2	3/4
32	68	73	36	8	178	97	98	49	25	39	58	6	2	1
40	84	90	45	9	204	128	118	59	45	54	74	8	2	1 1/4
50	97	97	51	9	237	128	135	68	45	54	74	8	3	1 1/2
63	124	116	65	9	296	152	176	88	45	66	87	8	3	2



**SYGEF Standard silicone free  
3-Way ball valve type 543  
Horizontal/T-port  
With fusion sockets metric (US version)**

**Model:**

- Material: PVDF / silicone free cleaned
- For easy installation and removal (valve end and union nut are compatible with type 546)
- Ball seals PTFE
- Pneumatic or electric actuator available separately
- Angle of operation 360° without turn limiter
- Turn limiter 90° enclosed, in different positions usable as a clip-on ring
- Integrated stainless steel mounting inserts
- Delivery status A-B-C opened, see flow scheme

d (mm)	DN (mm)	PN (bar)	kv-value ( $\Delta p=1$ bar) (L/min)	FPM Code	Weight (kg)
16	10	10	140	<b>175 543 511</b>	0.311
20	15	10	200	<b>175 543 512</b>	0.319
25	20	10	470	<b>175 543 513</b>	0.458
32	25	10	793	<b>175 543 514</b>	0.695
40	32	10	1290	<b>175 543 515</b>	1.185
50	40	10	1910	<b>175 543 516</b>	1.751
63	50	10	3100	<b>175 543 517</b>	3.405

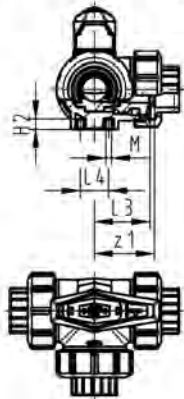
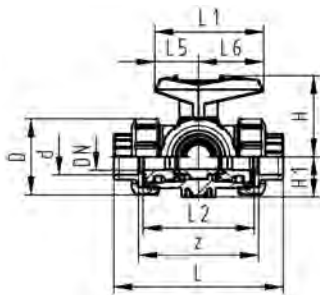
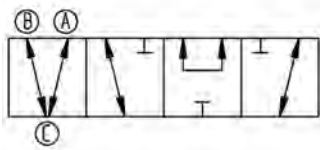
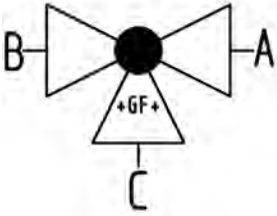
d (mm)	D (mm)	H (mm)	H1 (mm)	H2 (mm)	L (mm)	L1 (mm)	L2 (mm)	L3 (mm)	L4 (mm)	L5 (mm)	L6 (mm)	M (mm)	z (mm)	z1 (mm)	closest inch (inch)
16	50	57	28	8	110	77	72	36	25	32	45	6	82	41	$\frac{3}{8}$
20	50	57	28	8	112	77	72	36	25	32	45	6	82	41	$\frac{1}{2}$
25	58	67	32	8	129	97	85	43	25	39	58	6	97	49	$\frac{3}{4}$
32	68	73	36	8	146	97	98	49	25	39	58	6	110	55	1
40	84	90	45	9	170	128	118	59	45	54	74	8	132	66	$1 \frac{1}{4}$
50	97	97	51	9	193	128	135	68	45	54	74	8	151	76	$1 \frac{1}{2}$
63	124	116	65	9	244	152	176	88	45	66	87	8	188	94	2



**SYGEF Standard silicone free  
3-Way ball valve type 543  
Horizontal/T-port  
With fusion sockets metric**

**Model:**

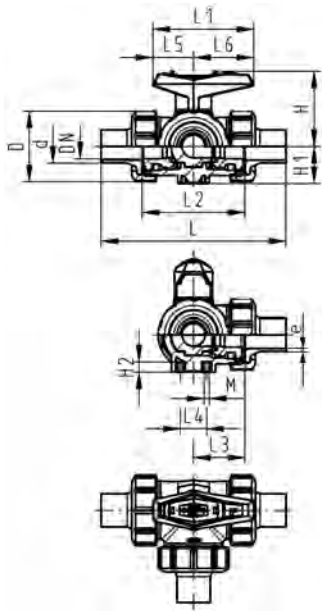
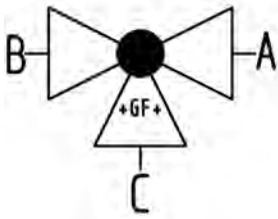
- Material: PVDF / silicone free cleaned
- For easy installation and removal (valve end and union nut are compatible with type 546)
- Ball seals PVDF
- Pneumatic or electric actuator available separately
- Angle of operation 360° without turn limiter
- Turn limiter 90° enclosed, in different positions usable as a clip-on ring
- Integrated stainless steel mounting inserts
- Delivery status A-B-C opened, see flow scheme



d (mm)	DN (mm)	PN (bar)	kv-value ( $\Delta p=1$ bar) (l/min)	FPM Code	Weight (kg)
16	10	10	140	<b>175 543 311</b>	0.311
20	15	10	200	<b>175 543 312</b>	0.319
25	20	10	470	<b>175 543 313</b>	0.458
32	25	10	793	<b>175 543 314</b>	0.695
40	32	10	1290	<b>175 543 315</b>	1.185
50	40	10	1910	<b>175 543 316</b>	1.751
63	50	10	3100	<b>175 543 317</b>	3.405

d (mm)	D (mm)	H (mm)	H1 (mm)	H2 (mm)	L (mm)	L1 (mm)	L2 (mm)	L3 (mm)	L4 (mm)	L5 (mm)	L6 (mm)	M (mm)	z (mm)	z1 (mm)	closest inch (inch)
16	50	57	28	8	110	77	72	36	25	32	45	6	82	41	3/8
20	50	57	28	8	112	77	72	36	25	32	45	6	82	41	1/2
25	58	67	32	8	129	97	85	43	25	39	58	6	97	49	3/4
32	68	73	36	8	146	97	98	49	25	39	58	6	110	55	1
40	84	90	45	9	170	128	118	59	45	54	74	8	132	66	1 1/4
50	97	97	51	9	193	128	135	68	45	54	74	8	151	76	1 1/2
63	124	116	65	9	244	152	176	88	45	66	87	8	188	94	2





**SYGEF Standard silicone free  
3-Way ball valve type 543  
Horizontal/L-port  
With butt fusion spigots IR-Plus metric**

**Model:**

- Material: PVDF / silicone free cleaned
- For easy installation and removal (valve end and union nut are compatible with type 546)
- Ball seals PVDF
- Pneumatic or electric actuator available separately
- Angle of operation 360° without turn limiter
- Turn limiter 90° enclosed, in different positions usable as a clip-on ring
- Integrated stainless steel mounting inserts
- Delivery status A-C opened, see flow scheme

d (mm)	DN (mm)	PN (bar)	kv-value ( $\Delta p=1$ bar) (l/min)	FPM Code	Weight (kg)
20	15	10	75	<b>175 543 252</b>	0.332
25	20	10	150	<b>175 543 253</b>	0.480
32	25	10	280	<b>175 543 254</b>	0.735
40	32	10	480	<b>175 543 255</b>	1.226
50	40	10	620	<b>175 543 256</b>	1.859
63	50	10	1230	<b>175 543 257</b>	3.624

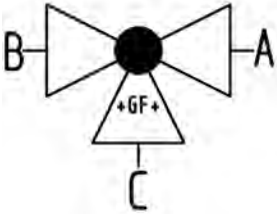
d (mm)	D (mm)	H (mm)	H1 (mm)	H2 (mm)	L (mm)	L1 (mm)	L2 (mm)	L3 (mm)	L4 (mm)	L5 (mm)	L6 (mm)	M (mm)	e (mm)	closest inch (inch)
20	50	57	28	8	146	77	72	36	25	32	45	6	2	½
25	58	67	32	8	163	97	85	43	25	39	58	6	2	¾
32	68	73	36	8	178	97	98	49	25	39	58	6	2	1
40	84	90	45	9	204	128	118	59	45	54	74	8	2	1 ¼
50	97	97	51	9	237	128	135	68	45	54	74	8	3	1 ½
63	124	116	65	9	296	152	176	88	45	66	87	8	3	2



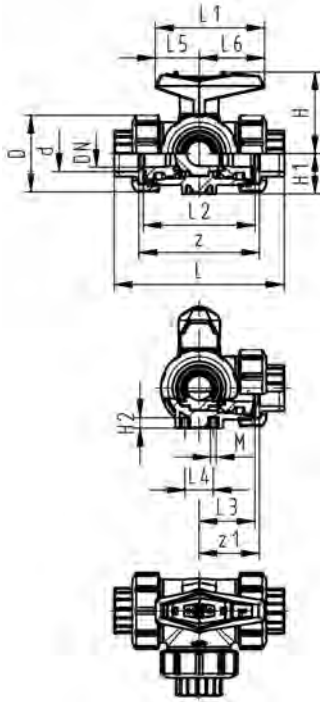
**SYGEF Standard silicone free  
3-Way ball valve type 543  
Horizontal/L-port  
With fusion sockets metric**

**Model:**

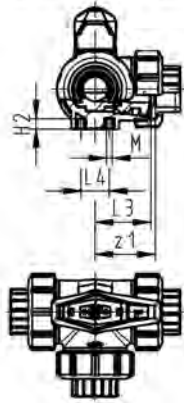
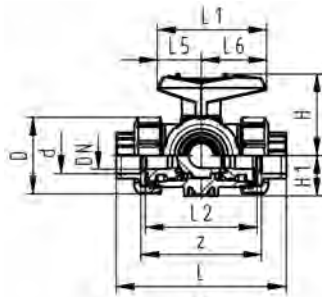
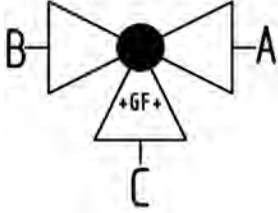
- Material: PVDF / silicone free cleaned
- For easy installation and removal (valve end and union nut are compatible with type 546)
- Ball seals PVDF
- Pneumatic or electric actuator available separately
- Angle of operation 360° without turn limiter
- Turn limiter 90° enclosed, in different positions usable as a clip-on ring
- Integrated stainless steel mounting inserts
- Delivery status A-C opened, see flow scheme



d (mm)	DN (mm)	PN (bar)	kv-value ( $\Delta p=1$ bar) (l/min)	FPM Code	Weight (kg)
16	10	10	50	<b>175 543 211</b>	0.312
20	15	10	75	<b>175 543 212</b>	0.320
25	20	10	150	<b>175 543 213</b>	0.461
32	25	10	280	<b>175 543 214</b>	0.704
40	32	10	480	<b>175 543 215</b>	1.199
50	40	10	620	<b>175 543 216</b>	1.778
63	50	10	1230	<b>175 543 217</b>	3.462



d (mm)	D (mm)	H (mm)	H1 (mm)	H2 (mm)	L (mm)	L1 (mm)	L2 (mm)	L3 (mm)	L4 (mm)	L5 (mm)	L6 (mm)	M (mm)	z (mm)	z1 (mm)	closest inch (inch)
16	50	57	28	8	110	77	72	36	25	32	45	6	82	41	3/8
20	50	57	28	8	112	77	72	36	25	32	45	6	82	41	1/2
25	58	67	32	8	129	97	85	43	25	39	58	6	97	49	3/4
32	68	73	36	8	146	97	98	49	25	39	58	6	110	55	1
40	84	90	45	9	170	128	118	59	45	54	74	8	132	66	1 1/4
50	97	97	51	9	193	128	135	68	45	54	74	8	151	76	1 1/2
63	124	116	65	9	244	152	176	88	45	66	87	8	188	94	2



**SYGEF Standard silicone free  
3-Way ball valve type 543  
Horizontal/L-port  
With fusion sockets metric (US version)**

**Model:**

- Material: PVDF / silicone free cleaned
- For easy installation and removal (valve end and union nut are compatible with type 546)
- Ball seals PTFE
- Pneumatic or electric actuator available separately
- Angle of operation 360° without turn limiter
- Turn limiter 90° enclosed, in different positions usable as a clip-on ring
- Integrated stainless steel mounting inserts
- Delivery status A-C opened, see flow scheme

d (mm)	DN (mm)	PN (bar)	kv-value ( $\Delta p=1$ bar) (L/min)	FPM Code	Weight (kg)
16	10	10	50	<b>175 543 411</b>	0.312
20	15	10	75	<b>175 543 412</b>	0.320
25	20	10	150	<b>175 543 413</b>	0.461
32	25	10	280	<b>175 543 414</b>	0.704
40	32	10	480	<b>175 543 415</b>	1.199
50	40	10	620	<b>175 543 416</b>	1.778
63	50	10	1230	<b>175 543 417</b>	3.462

d (mm)	D (mm)	H (mm)	H1 (mm)	H2 (mm)	L (mm)	L1 (mm)	L2 (mm)	L3 (mm)	L4 (mm)	L5 (mm)	L6 (mm)	M (mm)	z (mm)	z1 (mm)	closest inch (inch)
16	50	57	28	8	110	77	72	36	25	32	45	6	82	41	$\frac{3}{8}$
20	50	57	28	8	112	77	72	36	25	32	45	6	82	41	$\frac{1}{2}$
25	58	67	32	8	129	97	85	43	25	39	58	6	97	49	$\frac{3}{4}$
32	68	73	36	8	146	97	98	49	25	39	58	6	110	55	1
40	84	90	45	9	170	128	118	59	45	54	74	8	132	66	$1 \frac{1}{4}$
50	97	97	51	9	193	128	135	68	45	54	74	8	151	76	$1 \frac{1}{2}$
63	124	116	65	9	244	152	176	88	45	66	87	8	188	94	2

## Cone check valves silicone free

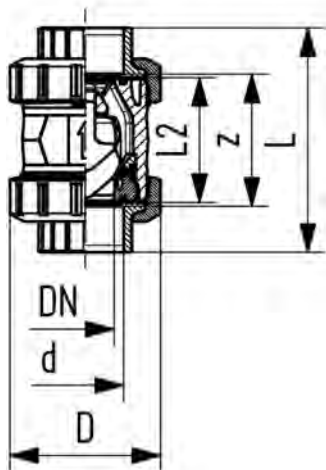


### SYGEF Standard silicone free Check valve type 562 With fusion sockets metric

#### Model:

- Material: PVDF / silicone free cleaned
- For horizontal or vertical installation
- Sealing at a minimum water column of 1 m
- Spring loaded, spring made of stainless steel (1.4310)
- Spring available in other materials, see spare parts
- Designed for easy installation and removal
- Vibration free even at high flow velocity
- Flow-optimized return cone, double guided
- Compact installation length, same as ball valve type 546
- Z-length, end connectors and union nuts **not** compatible with type 360

Warning: please make sure the diameter is not reduced through welding beads (Danger of turbulences)



d (mm)	DN (mm)	PN (bar)	kv-value ( $\Delta p=1$ bar) (l/min)	FPM Code	Weight (kg)	D (mm)	L (mm)	L2 (mm)	z (mm)	closest inch (inch)
16	10	16	190	<b>175 562 211</b>	0.160	50	93	56	67	$\frac{3}{8}$
20	15	16	180	<b>175 562 212</b>	0.160	50	95	56	66	$\frac{1}{2}$
25	20	16	380	<b>175 562 213</b>	0.340	58	109	65	77	$\frac{3}{4}$
32	25	16	460	<b>175 562 214</b>	0.360	68	119	71	83	1
40	32	16	850	<b>175 562 215</b>	0.670	84	135	85	99	1 $\frac{1}{4}$
50	40	16	1080	<b>175 562 216</b>	0.990	97	147	89	105	1 $\frac{1}{2}$
63	50	16	1670	<b>175 562 217</b>	1.770	124	168	101	117	2
75	65	16	2950	<b>175 562 218</b>	3.630	166	235	136	167	2 $\frac{1}{2}$
90	80	16	3600	<b>175 562 219</b>	5.800	200	255	141	180	3
110	100	16	4150	<b>175 562 220</b>	9.450	238	305	164	215	4

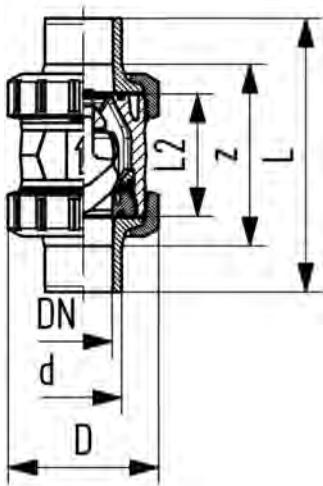


**SYGEF Standard silicone free  
Check valve type 562  
With socket fusion spigots metric**

**Model:**

- Material: PVDF / silicone free cleaned
- For horizontal or vertical installation
- Sealing at a minimum water column of 1 m
- Spring loaded, spring made of stainless steel (1.4310)
- Spring available in other materials, see spare parts
- Designed for easy installation and removal
- Vibration free even at high flow velocity
- Flow-optimized return cone, double guided
- Compact installation length, same as ball valve type 546
- Z-length, end connectors and union nuts **not** compatible with type 360

Warning: please make sure the diameter is not reduced through welding beads (Danger of turbulences)



d (mm)	DN (mm)	PN (bar)	kv-value ( $\Delta p=1$ bar) (l/min)	FPM Code	Weight (kg)	D (mm)	L (mm)	L2 (mm)	closest inch (inch)
20	15	16	180	<b>175 562 232</b>	0.170	50	120	56	½
25	20	16	380	<b>175 562 233</b>	0.370	58	139	65	¾
32	25	16	460	<b>175 562 234</b>	0.400	68	150	71	1
40	32	16	850	<b>175 562 235</b>	0.670	84	170	85	1 ¼
50	40	16	1080	<b>175 562 236</b>	1.030	97	190	89	1 ½
63	50	16	1670	<b>175 562 237</b>	1.830	124	220	101	2

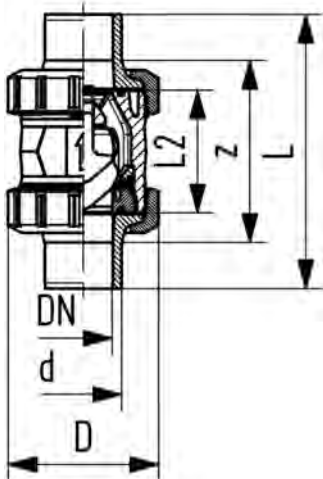


**SYGEF Standard silicone free  
Check valve type 562  
With fusion spigots IR-Plus metric**

**Model:**

- Material: PVDF / silicone free cleaned
- For horizontal or vertical installation
- Sealing at a minimum water column of 1 m
- Spring loaded, spring made of stainless steel (1.4310)
- Spring available in other materials, see spare parts
- Designed for easy installation and removal
- Vibration free even at high flow velocity
- Flow-optimized return cone, double guided
- Compact installation length, same as ball valve type 546
- Z-length, end connectors and union nuts **not** compatible with type 360

Warning: please make sure the diameter is not reduced through welding beads (Danger of turbulences)



d (mm)	DN (mm)	PN (bar)	kv-value ( $\Delta p=1$ bar) (l/min)	FPM Code	Weight (kg)	D (mm)	L (mm)	L2 (mm)	e (mm)	closest inch (inch)
20	15	16	180	<b>175 562 272</b>	0.160	50	130	56	1.9	¾
25	20	16	380	<b>175 562 273</b>	0.350	58	143	65	1.9	¾
32	25	16	460	<b>175 562 274</b>	0.380	68	150	71	2.4	1
40	32	16	850	<b>175 562 275</b>	0.660	84	171	85	2.4	1 ¼
50	40	16	1080	<b>175 562 276</b>	1.000	97	191	89	3.0	1 ½
63	50	16	1670	<b>175 562 277</b>	1.790	124	220	101	3.0	2
75	65	16	2950	<b>175 562 278</b>	3.680	166	290	136	3.6	2 ½
90	80	16	3600	<b>175 562 279</b>	5.760	200	310	141	4.3	3
110	100	16	4150	<b>175 562 280</b>	9.270	238	350	164	5.3	4

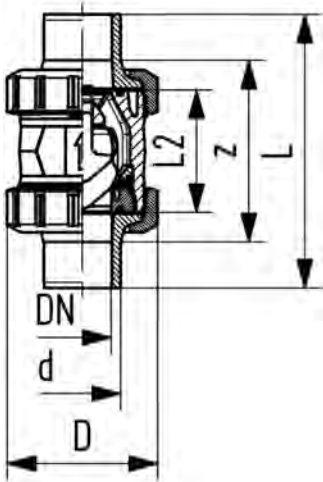


**SYGEF Standard silicone free  
Check valve type 561  
With butt fusion spigots IR-Plus metric**

**Model:**

- Material: PVDF / silicone free cleaned
- Sealing at a minimum water column of 2 m
- Designed for easy installation and removal
- Vibration free even at high flow velocity
- Flow-optimized return cone, double guided
- For vertical installation
- Compact installation length, same as ball valve type 546
- Z-length, end connectors and union nuts **not** compatible with type 360

Warning: please make sure the diameter is not reduced through welding beads (Danger of turbulences)



d (mm)	DN (mm)	PN (bar)	kv-value ( $\Delta p=1$ bar) (l/min)	FPM Code	Weight (kg)	D (mm)	L (mm)	L2 (mm)	e (mm)	closest inch (inch)
20	15	16	180	<b>175 561 272</b>	0.160	50	130	56	1.9	½
25	20	16	380	<b>175 561 273</b>	0.350	58	143	65	1.9	¾
32	25	16	460	<b>175 561 274</b>	0.367	68	150	71	2.4	1
40	32	16	850	<b>175 561 275</b>	0.660	84	171	85	2.4	1 ¼
50	40	16	1080	<b>175 561 276</b>	1.000	97	191	89	3.0	1 ½
63	50	16	1670	<b>175 561 277</b>	1.790	124	220	101	3.0	2
75	65	16	2950	<b>175 561 278</b>	3.680	166	290	136	3.6	2 ½
90	80	16	3600	<b>175 561 279</b>	5.760	200	310	141	4.3	3
110	100	16	4150	<b>175 561 280</b>	9.270	238	350	164	5.3	4

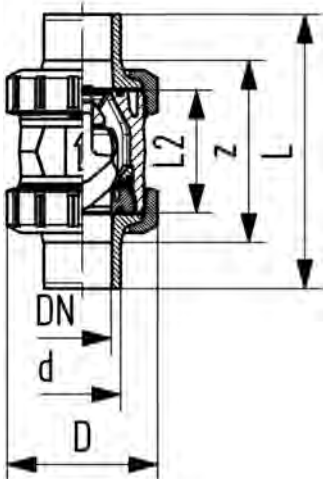


**SYGEF Standard silicone free  
Check valve type 561  
With socket fusion spigots metric**

**Model:**

- Material: PVDF / silicone free cleaned
- Sealing at a minimum water column of 2 m
- Designed for easy installation and removal
- Vibration free even at high flow velocity
- Flow-optimized return cone, double guided
- For vertical installation
- Compact installation length, same as ball valve type 546
- Z-length, end connectors and union nuts **not** compatible with type 360

Warning: please make sure the diameter is not reduced through welding beads (Danger of turbulences)



d (mm)	DN (mm)	PN (bar)	kv-value ( $\Delta p=1$ bar) (l/min)	FPM Code	Weight (kg)	D (mm)	L (mm)	L2 (mm)	closest inch (inch)
20	15	16	180	<b>175 561 232</b>	0.170	50	120	56	½
25	20	16	380	<b>175 561 233</b>	0.370	58	139	65	¾
32	25	16	460	<b>175 561 234</b>	0.400	68	150	71	1
40	32	16	850	<b>175 561 235</b>	0.670	84	170	85	1 ¼
50	40	16	1080	<b>175 561 236</b>	1.030	97	190	89	1 ½
63	50	16	1670	<b>175 561 237</b>	1.830	124	220	101	2



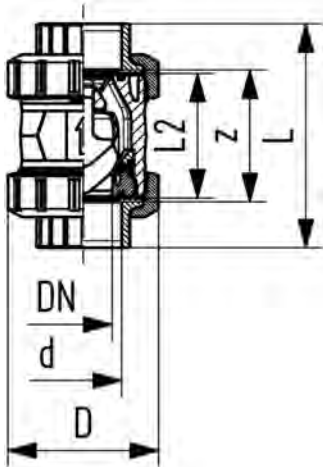


**SYGEF Standard silicone free  
Check valve type 561  
With fusion sockets metric**

**Model:**

- Material: PVDF / silicone free cleaned
- Sealing at a minimum water column of 2 m
- Designed for easy installation and removal
- Vibration free even at high flow velocity
- Flow-optimized return cone, double guided
- For vertical installation
- Compact installation length, same as ball valve type 546
- Z-length, end connectors and union nuts **not** compatible with type 360

Warning: please make sure the diameter is not reduced through welding beads (Danger of turbulences)



d (mm)	DN (mm)	PN (bar)	kv-value ( $\Delta p=1$ bar) (l/min)	FPM Code	Weight (kg)	D (mm)	L (mm)	L2 (mm)	z (mm)	closest inch (inch)
16	10	16	190	<b>175 561 211</b>	0.160	50	93	56	67	¾
20	15	16	180	<b>175 561 212</b>	0.160	50	95	56	66	½
25	20	16	380	<b>175 561 213</b>	0.340	58	109	65	77	¾
32	25	16	460	<b>175 561 214</b>	0.360	68	119	71	83	1
40	32	16	850	<b>175 561 215</b>	0.670	84	135	85	99	1 ¼
50	40	16	1080	<b>175 561 216</b>	0.990	97	147	89	105	1 ½
63	50	16	1670	<b>175 561 217</b>	1.770	124	168	101	117	2
75	65	16	2950	<b>175 561 218</b>	3.630	166	235	136	167	2 ½
90	80	16	3600	<b>175 561 219</b>	5.800	200	255	141	180	3
110	100	16	4150	<b>175 561 220</b>	9.450	238	305	164	215	4

# Automation made easy for you

Accurate measurement  
Precise control  
Reliable actuation



## Automation

# Automation made easy

Our automation loop consists of three elements: measurement, control and actuation. Measurement encompasses a wide range of measurement technologies and parameters. Most of these products are available in plastic and are offered with dedicated fittings, which integrate our sensors perfectly into your piping system. Control comprises various control functionalities (from simple relays to PID controllers) and all major communication technologies. Actuation includes pneumatic, electric and magnetic actuators, which can be seamlessly combined with all kinds of valves and accessories.

## The all-in-one solution for your automation needs

### Easy-to-combine

Flexible combination and upgrade

### Easy-to-install

Seamless integration

### Easy-to-connect

State-of-the-art communication technology

### Easy-to-set-up

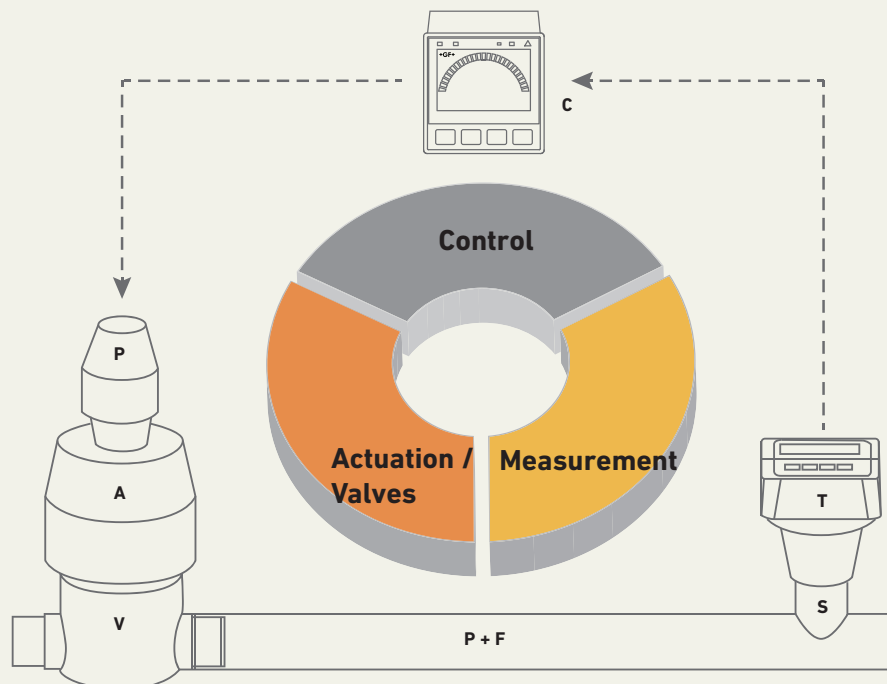
Plug-and-play design

### Easy-to-operate

Intuitive menu structure

### Easy-to-maintain

Wide range of accessories



S: Sensor  
T: Transmitter  
C: Controller

P: Positioner  
A: Actuator

V: Valve  
P+F: Pipe & Fittings

### Measurement

Accurate measurement



### Control

Precise control



### Actuation

Reliable actuation



### Valves

Modular valves





# Measurement

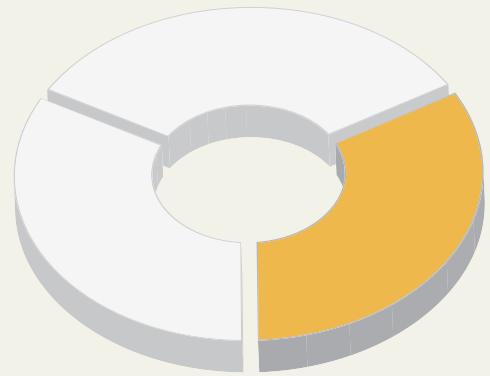
Accurate measurement is the basis for reliable process control



Our measurement offering will cover your needs: flow, pH, conductivity, level, temperature and various water quality parameters. Corresponding to our piping systems, most sensors are available in plastic and are therefore highly resistant to chemicals. Our plug-and-play measurement products are self-explanatory, easy to maintain and are offered with suitable installation fittings.

# Measurement products

An overview of the key products



## Flow Sensors and Instruments



**Rotor-X Paddlewheel Flow Sensor type 515**

- Non-powered
- 0.3 - 6 m/s (1 to 20 ft/s)
- DN15 - DN900 (½ to 36 in.)
- PP 12.5 bar @ 20 °C (180 psi @ 68 °F)
- PVDF 14 bar @ 20 °C (203 psi @ 68 °F)
- 19.7 Hz per m/s nominal (6 Hz per ft/s nominal)



**Rotor-X Paddlewheel Flow Sensor type 2536**

- Powered
- 0.1 - 6 m/s (0.3 to 20 ft/s)
- DN15 - DN900 (½ to 36 in.)
- PP 12.5 bar @ 20 °C (180 psi @ 68 °F)
- PVDF 14 bar @ 20 °C (203 psi @ 68 °F)
- 49 Hz per m/s nominal (15 Hz per ft/s nominal)



**Paddlewheel Flow Sensor type 2537**

- 0.1 - 6 m/s (0.3 to 20 ft/s)
- DN15 - DN200 (½ to 8 in.)
- PP 12.5 bar @ 20 °C (181 psi @ 68 °F)
- PVDF 14 bar @ 20 °C (203 psi @ 68 °F)
- 4-20 mA, digital (S<sup>3</sup>L), flow switch or pulse outputs (based on part number)



**Stainless Steel Paddlewheel Flow Sensor - type 2540**

- 0.1 - 6 m/s (0.3 to 20 ft/s)
- DN40 - DN900 (1½ to 36 in.)
- 316 Stainless Steel
- 17 bar @ 100 °C (250 psi @ 212 °F)
- 49 Hz per m/s nominal (15 Hz per ft/s nominal)
- Open Collector output



**Magmeter (blind or display) type 2551**

- 0.05 - 10 m/s (0.15 to 33 ft/s)
- DN15 - DN900 (½ to 36 in.)
- 10.3 bar @ 25 °C (150 psi @ 77 °F)
- 4-20 mA, or frequency/ digital (S<sup>3</sup>L) outputs
- Optional relay outputs



**Metal Magmeter type 2552**

- 0.05 - 10 m/s (0.15 to 33 ft/s)
- DN50 - DN2550 (2 to 102 in.)
- 316 Stainless Steel & PVDF
- 20.7 bar @ 25 °C (300 psi @ 77 °F)
- 4-20 mA, frequency/ digital (S<sup>3</sup>L)
- Hot-tap using ball or gate valves



**Turbine Flow Sensor type 2100**

- 0.38 to 38 lpm (0.10 to 10 gpm)
- DN15 (½ in.)
- PVDF
- 16 bar @ 20 °C (232 psi @ 68 °F)
- Open Collector output
- Use with End Fitting: 3-2100-31 to 3-2100-38



**Micro-Flow Rotor Sensor type 2000**

- 0.11 - 12.11 lpm (0.03-3.2 gpm)
- ¼ in. NPT or ISO 7/1-R1/4 threads
- Polyphenylene Sulphide and PEEK
- 5.5 bar @ 0 ° to 80 °C (80 psi @ 32 °F to 176 °F)
- Open Collector output
- Standard cable 7.6 m (25 ft)



**Mini-Flow Rotor Sensor type 2507**

- 400 - 12 000 mL/m (0.1 to 3.2 U.S. gpm)
- G ¼ in. ports, ¼ in. NPT pipe adapters
- PVDF
- 5.5 bar @ 24 °C (80 psi @ 75 °F)
- Open Collector output
- Standard cable 7.6 m (25 ft)



**Metalex Paddlewheel Flow Sensor type 525**

- 0.5 - 6 m/s (1.6-20 ft/s)
- DN15 - DN300 (½-12 in.)
- 316 Stainless Steel
- 103 bar (1500 psi @ safety factor 1.5) @ 149 °C (300 °F)
- 39 Hz per m/s nominal (12 Hz per ft/s nominal)

# Easy to install

## Flow sensors and instruments



**SmartPro Transmitter  
type 9900**

- Multi-Parameter input selection
- Large auto-sensing backlit display
- "Dial-type" digital bar graph
- Optional field upgradable relays
- Selectable error mode for current outputs, 3.6 mA or 22 mA
- Optional Relay, Direct Conductivity / Resistivity, 4 to 20 mA Output, and HART modules are available



**Flow Integral Mount  
type 9900**

- Local display for sensor mounted instruments
- Provides 4-20 mA output
- "At a glance" visibility
- "Dial-type" digital bar graph
- NEMA 4X/IP65



**ProPoint Sensor-Powered  
Flow Monitor - type 5090**

- Displays GPM
- No power required
- Single input
- Panel mount
- Analogue dial for indication
- Use with 515 flow sensor



**Battery Powered Flow Totaliser  
type 8150**

- Displays GPS, GPM, GPH, GPD, LPS, LPM, LPH, LPD
- Battery powered
- Single input
- Panel or field mount
- 3 totalisers, auto calibration
- Use with 515 or 525 flow sensors



**Variable Area Flow Meters  
type 335 / 350, SK50-73**

- Taper tubes in PVC transparent, PA, PSU, PVDF
- Union connection with PVC (std)
- DN10-DN65 (3/8" - 3 1/2")
- PN10
- Optional switch feedback
- Special scales on request



**Flow Wet-Tap Valve  
type 3519**

- DN15-DN900 (1/2 to 36 in.)
- PVC
- 7 bar @ 20 °C (100 psi max @ 68 °F)
- Use with Wet-Tap Paddlewheel Flow Sensors Type 515 and 2536



**Portaflow Portable Ultrasonic  
Flowmeter - type 330 / 220**

- 0.1 m/s - 20 m/s
- d13-d2000
- Battery powered, AC 110-240 V
- Output: 0/4 to 20 mA, RS 232, USB, pulse
- Data logger (Type 330)
- Transit time measurement



**Ultraflow wall Mount Ultrasonic  
Flowmeter - type 3000 / 4000**

- 0.1 m/s - 20 m/s
- d13 - d2000
- DC 24 V or AC 86-240 V
- Output 0/4 to 20mA, RS 232, USB, pulse
- Data logger (Type 4000)
- Transit time measurement



**Ultrasonic Flowmeter  
type U1000**

- 0.1 m/s-10 m/s
- d25-d115
- DC 12 - 24 V
- Output: 4-20 mA, pulse or frequency
- Transit time measurement





## pH/ORP sensors and instruments



### SmartPro Transmitter type 9900

- Multi-Parameter input selection
- Large auto-sensing backlit display
- "Dial-type" digital bar graph
- Optional field upgradable relays
- Selectable error mode for current outputs, 3.6 mA or 22 mA
- Optional Relay, Direct Conductivity / Resistivity, HART modules 4 to 20 mA-Output Module are available



### DryLoc pH and ORP Electrodes type 2724-2726

- 0-14 pH,  $\pm 2,000$  mV ORP
- Ryton body, PE junction
- Use fittings for in-line applications or  $\frac{3}{4}$ " NPT or ISO
- Suitable for submersible applications
- DryLoc preamplifier connection with gold plated pins



### Threaded DryLoc pH/ORP Electrode - type 2774-2777

- 0-14 pH,  $\pm 2,000$  mV ORP
- Ryton body, PTFE junction
- Use sensor  $\frac{3}{4}$ " threads for mounting
- DryLoc preamplifier connection with gold plated pins
- Suitable for submersible applications
- For use with 2750/2760 preamplifiers



### pH/ORP Wet-Tap Assembly - type 3719 / 2756, Wet-Tap Electrodes type 2757

- Use a wet-tap style sensor; for 0-14 pH,  $\pm 2,000$  mV ORP
- CPVC, PVC
- 1½ or larger
- 1½ or 2 NPT, ISO 7 / 1-R1.5 or R2
- Electrode removal without process shutdown



### Differential DryLoc pH / ORP Electrodes type 2764-2767

- 0-14 pH,  $\pm 2,000$  mV ORP
- Ryton body, PTFE junction
- Use sensor 1 inch threads for mounting
- DryLoc preamplifier connection with gold plated pins
- For use with 2750 / 2760 preamplifiers



### DryLoc pH/ORP SensorElectronics type 2750

- 0-14 pH,  $\pm 2,000$  mV ORP
- PBT, CPVC (PVC-C)
- DryLoc connection with gold plated pins
- 4-20 mA or digital (S<sup>3</sup>L)
- Use with 8900, 9900 or PLC
- In-line and submersible versions available



### DryLoc pH and ORP Electrodes for Harsh Applications - type 2734-2736

- Enhanced reference and bridge gels to resist chemical poisoning
- Ryton (PPS) body and PTFE junction for broad range of chemical compatibility
- PTFE reference junction resists fouling and chemical attack
- Mounts in Signet standard fittings from DN15 to DN100 ( $\frac{1}{2}$  to 4 in.)

## Conductivity/resistivity sensors and instruments



### Dual-Channel Conductivity Controller - type 8860

- Displays  $\mu\text{S}$ ,  $\text{mS}$ ,  $\text{K}\Omega$ ,  $\text{M}\Omega$ ,  $\text{PPM}$
- AC or DC supply
- Up to 2 sensor inputs
- Up to 2 Open Collector outputs and 4 relay outputs
- Up to 3 active current outputs
- % reject, % recovery, and ratio functions



### SmartPro Transmitter type 9900

- Multi-Parameter input selection
- Large auto-sensing backlit display
- "Dial-type" digital bar graph
- Optional field upgradable relays
- Selectable error mode for current outputs, 3.6 mA or 22 mA
- Optional Relay, Direct Conductivity / Resistivity, 4 to 20 mA Output, and HART modules are available



### Conductivity Integral System with 9900 Transmitter

- Local display for sensor mounted instruments
- Provides 4-20 mA output
- "At a glance" visibility
- "Dial-type" digital bar graph
- NEMA 4X/IP65



### Conductivity Sensor Electronics with PVDF type 2850

- 0.055 - 400 000  $\mu\text{S}$  (0.02 - 200 000 ppm) (18.2  $\text{M}\Omega$  - 1  $\text{K}\Omega$ )
- PBT (integral mount) / PBT/CPVC (universal J-box)
- Integral systems connect to the 2839 series electrodes or 2819 series electrode via 3-286X Universal J-box assembly
- 4 - 20 mA or digital (S<sup>2</sup>L)
- Factory NIST Certified



### Conductivity/Resistivity Electrodes type 2818 - 2823

- 0.055 - 400 000  $\mu\text{S}$  (0.02-200 000 ppm) (18.2  $\text{M}\Omega$  - 1  $\text{K}\Omega$ )
- 316 SS or Titanium (Hastelloy-C also available upon request)
- Reversible threads or sanitary flange connections
- Connect to 2850 sensor electronics



### PVDF Conductivity Electrodes type 2839 - 1V(D) - 2842 - 1V(D)

- 0.055-200 000  $\mu\text{S}$  (0.02-100 000 ppm) (18.2  $\text{M}\Omega$  - 1  $\text{K}\Omega$ )
- 316 SS and PVDF
- Dual threaded NPT or ISO
- Connection to 9900 - 1, 8900 instruments or 2850 sensor electronics
- NIST Certificate

Dual-Channel ProcessPro's -3 are still available

## Temperature sensors and instruments



### SmartPro Transmitter type 9900

- Multi-Parameter input selection
- Large auto-sensing backlit display
- "Dial-type" digital bar graph
- Optional field upgradable relays
- Selectable error mode for current outputs, 3.6 mA or 22 mA
- Optional Relay, Direct Conductivity/ Resistivity and HART modules are available



### Temperature Integral System with 9900 Transmitter

- Local display for sensor mounted instruments
- Provides 4-20 mA output
- "At a glance" visibility
- "Dial-type" digital bar graph
- NEMA 4X/IP65



### Temperature Sensor type 2350

- In-line mounting: 10 °C to 100 °C (14° - 212 °F)
- Submersible mounting: 10 °C to 85 °C (14 °-185 °F)
- PVDF
- 3/4 inch dual threaded for in-line or submersible installation
- 4-20 mA or digital (S<sup>2</sup>L)

# Temperature, pressure and level sensors and instruments



### Pressure Integral System with 9900 Transmitter

- Utilizes the 2450 sensor for pressure or hydrostatic level measurement
- Local display for sensor mounted instruments
- Provides 4-20 mA output
- "At a glance" visibility
- "Dial-type" digital bar graph
- NEMA 4X / IP65



### Pressure Sensor type 2450

- 0-0.7 bar (0-10 psig) - U
- 0-3.4 bar (0-50 psig) - L
- 0-17 bar (0-250 psig) - H
- Vacuum range available
- Wetted material: PVDF, ceramic and FPM
- ½" union, dual threaded
- 4-20 mA or digital (S<sup>2</sup>L)



### Ultrasonic Integral Level Transmitter type 2260

- Non-contact principle
- Narrow 5 and 6° beam
- Range: 4, 6, 15 meters (13, 20, 50 ft)
- 4-20 mA, HART, relay output
- PP and PVDF bodies
- ATEX versions
- Quick-set and advanced menu
- Large multi-parameter display
- Allows for open channel measurement



### Ultrasonic Level Sensor type 2270

- Non-contact principle
- Narrow 5 and 6° beam
- Range: 4, 6, meters (13, 20, ft)
- 4-20 mA, HART
- PP and PVDF bodies
- Easy to use EView programming software
- Allows for open channel measurement



### Point level Switches

- Body materials for water, water based liquids and concentrated chemicals
- Versions for industrial- and municipal water treatment
- Digital transistor- and relay outputs
- ATEX versions
- WHG versions
- Versions without moving parts



### Hydrostatic Level Sensor type 2250

- 0-10 psi = 0-7.03 m = 0-23.06 ft
- 0-50 psi = 0-35.15 m = 0-115.32 ft
- Wetted Material: PVDF, PVC, ceramic and FPM
- Submersible sensor
- 4-20 mA or digital (S<sup>2</sup>L)
- Uses hydrostatic pressure for level and depth control

## Water analysis



### Chlorine Analyzer System type 4630

- Continuous free chlorine measurement without chemical reagents
- Optional pH sensor for increased accuracy
- Pre-wired panel for easy installation
- Built in pressure regulator and variable area flow meter



### Turbidimeter type 4150

- Compliant with U.S. EPA 180.1 or ISO7027
- Two adjustable alarm relays
- Built-in pressure regulator
- Easy access for wiring and maintenance
- Optional auto cleaning for reduced maintenance



### Process Optical Dissolved Oxygen Sensor - type 2610

- Optical DO measurement with no flow requirements
- No membranes or filling solutions
- Flexible communications 4 to 20 mA or Modbus 3-2610-31 (S<sup>2</sup>L), 4 to 20 mA or Modbus 3-2610-41
- Measurement Range: 0-20 mg/L, 0-200% Saturation



### Chlorine Dioxide System type 4632

- Complete turnkey system – no additional parts required to install
- Now available with a flow switch interrupt (Chlorine and Chlorine dioxide)
- Complies with EPA standard 334.0
- Chemical free measuring system – 0-2 ppm
- Optional pH measurement

# Easy to monitor



# Easy to operate

## Accessories



**Switching Power Supplies  
type 7310**

- Universal AC input/Full Range
- Protections: Short circuit/Overload/Over-voltage
- Cooling by free air convection
- Install on DIN rail TS-35/7.5 or 15
- Built in DC OK active signal
- LED indicator for power on



**i-GO Signal Converter  
type 8058**

- Connects third party 4-20 mA signals to the 8900 and 9900
- Available for single or dual 4-20 mA sensor inputs
- Requires special programming for use with the 8350, 8450
- Compatible with 8900, 9900



**8059 External Relay  
Module**

- AC and DC powered versions
- External relays controlled by host instrument
- Digital pass-through (DC versions) to simplify wiring
- Relay can be tested locally, and also via the host instrument
- Only compatible with 8900



**HART –  
USB Modem**

- HART to USB converter
- Portable or DIN rail version
- ATEX



**pH/ORP System Tester  
type 2759**

- Battery powered
- Simulates pH and ORP
- Compatible with 2750 and 2760 preamp
- Connects to any pH/ORP instrument



**Configuration/Diagnostic Tool  
type 0250 USB to Digital (S<sup>3</sup>L)**

- User friendly interface
- Configure all modifiable parameters in the sensor
- Monitor/graph sensor data or log sensor data to a file
- Monitor mV readings in pH/ORP sensors to monitor drift



**Conductivity/Resistivity Tools  
type 2850 - 101 - X**

- Available in 5 different values
- Verifies electronic independent of electrode
- Compatible with all conductivity and resistivity instruments
- Temperature compensated to 25 °C



**PC COMM Configuration Tool  
type 0251**

- User friendly interface
- Configure settings such as instrument type, units and modify labels
- Back up and restore 9900 Transmitter configurations to a computer
- Use a single file to clone multiple 9900 Transmitters



**Buffer Solutions  
type pH/ORP**

- NIST Traceable
- Easily identifiable colour coded buffer solutions
- Liquid or powder versions
- Temperature compensated values
- Kits for easy use



**Formazin Stock Kit for Turbidimeter  
type 4150**

- Turbidity standard for most any value
- Three different graduated pipettes included
- Four glass cuvettes with light shield caps
- Easy to follow instructions



**Calibration Kits for Turbidimeter  
type 4150**

- Stable pre-mixed standards that are certified accurate
- Sealed calibration cuvettes
- Shelf-life 12 months
- Easy to follow instructions
- Kits for easy use



**Wall Mount  
Accessory Kit**

- Compact enclosure that works with 9900 Transmitter and other ¼ DIN size instruments
- Equipped with a ¼ DIN cutout and two ½" holes at the base
- Mounting hardware and liquid tight connectors are included



**4 - 20 mA Sensor GK 15 for VAFM  
type 335/350**

- 12 - 24 V DC
- IP 65
- 4 - 20 mA (3 wire)



**Limit contacts GK 10 / GK11 for type  
335 / 350 and short version**

- Reed contact
- IP65
- 230 V



# Control

Precise control  
throughout your automation loop

Clever design makes life easy. All our measurement parameters can be connected with one and the same transmitter, a true multi-parameter controller. Additional functionalities like batch control or communication technologies can be added anytime because of the modular design. Our control products are simple to operate, have intuitive menu structures and can be upgraded modularly.

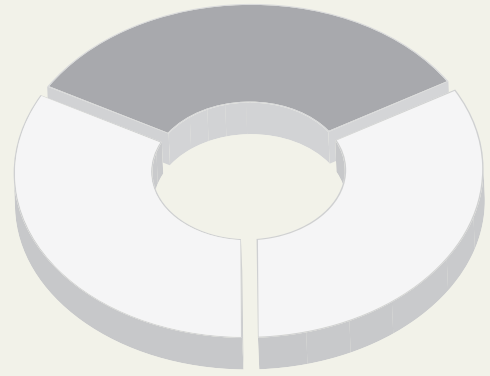




## Control

# Control products

An overview of the key products



## Multi-parameter instruments



**SmartPro Transmitter  
type 9900**

- Multi-Parameter input selection
- Large auto-sensing backlit display
- „Dial-type“ digital bar graph
- Optional field upgradable relays
- Selectable error mode for current outputs, 3.6 mA or 22 mA
- Optional Relay, Direct Conductivity / Resistivity, 4 to 20 mA Output, and HART modules are available



**Multi-Parameter / Multi-Channel  
Controller - type 8900**

- AC or DC power option
- Up to 6 sensor inputs (2 frequency inputs max)
- Up to 4 4-20mA outputs
- Up to 8 relays
- Use with all digital (S<sup>3</sup>L) sensors

## Flow instruments



**SmartPro Batch Controller  
type 9900-1BC**

- „Dial-type“ digital bar graph
- Remote control wiring with start, stop and resume terminals for remote batch control
- 3 programmable relays
- 10 batch memory
- Compatible with flow sensors
- Two-stage control to prevent overflowing
- Simple and advanced programming modes

## Accessories



**i-GO Signal Converter  
type 8058**

- Connects third party 4-20 mA signals to the 8900 and 9900
- Available for single or dual 4-20 mA sensor inputs
- Compatible with 8900, 9900
- Requires programming at the factory with the 8350, 8450

# Actuation

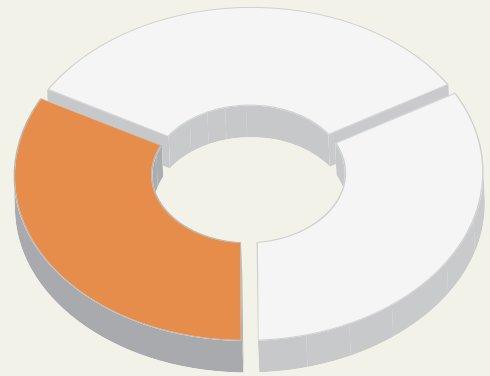
Reliable actuation with  
configuration flexibility

With our modular set-up, valves and actuators can be combined flexibly and additional functionalities, like positioners or monitoring devices, can be added optionally. Naturally, we offer the whole range in all-plastic designs, which are capable of withstanding harsh environments. A wide range of pressure regulating valves and accessories complete our actuation portfolio.

## Actuation

# Actuation products

An overview of the key products



## Actuators electric and pneumatic



### Electric actuators type EA11

- 100-230 V AC, 24 V AC/DC
- 20 Nm peak (F05)
- 150 000 cycles, 40% ED
- Position Feedback optional
- Fail-safe modul optional
- Heating Element optional



### Electric actuators type EA21, EA31, EA42

- 100-230 V AC, 24 V AC/DC
- EA21: 20 Nm peak (F05) 100% ED
- EA31: 120 Nm peak (F07) 50% ED
- EA42: 250 Nm peak (F07) 35% ED
- Accessory like EA11 plus additional
- with monitoring and positioner options



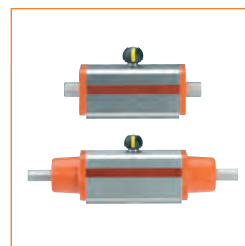
### Electric actuators type EA25, EA45, EA120, EA250

- Replaces type EA21 - 42
- 100-230 V AC, 24 V AC/DC
- Torques from 25 Nm – 250 Nm
- LED enforced position feedback
- Standard: Position Feedback, Heater
- Optional:
  - Fail-safe return unit integrated
  - Positioner
  - Monitoring
  - Profibus



### Pneumatic actuator type PA11 / PA21

- FC, FO, DA
- Rack and pinion principle
- Accessory interface acc. ISO5211
- Visual position indication
- Full plastic solution
- PA11: 10 Nm / PA21: 20 Nm



### Pneumatic actuator type PA30 - PA90

- FC, FO, DA
- Scotch Yoke principle
- Accessory interface acc. ISO5211
- Visual position indication
- Adjustable end stops
- Various coatings on request

## Actuated Butterfly Valves



### Butterfly Valve electric type 145 / 146 / 147\*

- Electric actuated Butterfly Valve
- Actuator type: EA45 / 120 / 250 (24 V, 110-230 V)
- Plastic Butterfly Valve Wafer/ Lugstyle
- Butterfly Valve type 567/578
- PVC-U, PVC-C, ABS, PP-H, PVDF
- 567: DN50 - DN600; 578: DN50 - DN300



### Butterfly Valve electric type 038-E / 039-E

- Electric actuated Butterfly Valve
- Actuator type: EA45 / 120 / 250 (24 V, 110-230 V)
- Metal Butterfly Valve Wafer/ Lugstyle
- Butterfly Valve type 038 / 039
- 038/039: Ductile Iron with Powder/ Epoxy Coating/ Rilsan Coating
- 038: DN50 - DN600, 039: DN50 - DN1200

\* Predecessor type 140 / 143 / 144 with electric actuators type EA31 / 42

# Easy to modify

## Actuated Butterfly Valves



**Butterfly Valve pneumatic  
type 240 / 243 / 244**

- Pneumatic actuated Butterfly Valve
- Actuator Type: PA30-PA90
- Plastic Butterfly Valve Wafer/ Lugstyle
- Butterfly Valve Typ 567/578
- PVC-U, PVC-C, ABS, PP-H, PVDF
- 567: DN50-DN600; 578: DN50-DN300



**Butterfly Valve pneumatic  
type 038-P / 039-P**

- Pneumatic actuated Butterfly Valve
- Actuator Type: PA30-PA70
- Metal Butterfly Valve Wafer/ Lugstyle
- Butterfly Valve Type 038/039
- 038/039: Ductile Iron with Powder/Epoxy Coating/ Rilsan Coating
- 038: DN50-DN600; 039: DN50-DN1200

## Actuated Ball Valves



**Electric Ball Valve  
type 104**

- Electric actuated 2-way Ball Valve
- Actuator Type: EA04 (24V, 85-230V)
- Actuating angle 0-90°
- Ball Valve 546
- PVC-C, PVC-U, PP-H
- DN10 – DN50 3/8 - 2"
- Limited access range
- Low cycle applications



**Electric Ball Valve  
type 107**

- Electric actuated 2-way Ball Valve
- Actuator Type: EA11 (24 V, 110-230 V)
- Actuating angle 90°
- Ball Valve 546
- ABS, PVC-C, PVC-U, PP-H, PVDF
- DN10-DN50



**Electric Ball Valve  
type 179 - 184\***

- Electric actuated 2-way Ball Valve
- Actuator Type: EA25 / 45 / 120 (24 V, 110-230 V)
- Actuating angle 90°
- Ball Valve 546
- ABS, PVC-C, PVC-U, PP-H, PVDF
- EA25 DN10-DN50; EA45 / 120 DN65-DN100



**Electric Ball Valve  
type 167 - 170\*\***

- Electric actuated 3-way Ball Valve
- Actuator Type: EA25 (24 V, 110-230 V)
- Actuating angle 90°; max. 180°
- Ball Valve 543
- ABS, PVC-C, PVC-U, PP, PVDF
- DN10-DN50



**Pneumatic Ball Valve  
type 285 - 288**

- Pneumatic actuated 3-way Ball Valve
- Actuator Type: PA11/PA21
- Actuating angle 90°
- Ball Valve 543
- ABS, PVC-C, PVC-U, PP, PVDF
- DN10-DN50



**Pneumatic Ball Valve  
type 230 - 235**

- Pneumatic actuated 2-way Ball Valve
- Actuator Type: PA11/PA21 (<DN65)
- Actuator Type: PA30-PA90 (>DN50)
- Ball Valve 546
- ABS, PVC-C, PVC-U, PP-H, PVDF
- DN10-DN100

\* Predecessor type 130 - 135 with electric actuators type EA21 / 31

\*\* Predecessor type 185 - 188 with electric actuator type EA21



# Actuation

## Actuated Diaphragm Valves



**Diaphragm Valve**  
type 604 / 605

- PVC-U, PVC-C, PP-H, PVDF
- EPDM, FPM, PTFE / EPDM, PTFE / FPM
- DN15
- PN6
- pneumatic actuated FC, FO, DA



**Diaphragm Valve DIASTAR**  
TenPLUS

- ABS, PVC-U, PVC-C, PP-H, PVDF, PVDF-HP
- EPDM, FPM, PTFE / EPDM, PTFE / FPM
- DN15-DN50
- PN10 (both sides)
- pneumatic actuated FC, FO, DA
- Accessories available



**Diaphragm Valve DIASTAR**  
Six

- ABS, PVC-U, PVC-C, PP-H
- EPDM, FPM
- DN15 - DN50
- PN6
- pneumatic actuated FC



**Diaphragm Valve DIASTAR**  
Sixteen

- PVDF, PVDF-HP
- EPDM, FPM, PTFE / EPDM, PTFE / FPM
- DN15-DN50
- PN16
- pneumatic actuated FC, FO, DA
- Accessories available



**Diaphragm Valve DIASTAR**  
Ten

- ABS, PVC-U, PVC-C, PP-H, PP-N, PVDF, PVDF-HP
- EPDM, FPM, PTFE / EPDM, PTFE / FPM
- DN15 - DN50
- PN10
- pneumatic actuated FC, FO, DA
- Accessories available



**Diaphragm Valve DIASTAR**  
025

- ABS, PVC-U, PVC-C, PP-H, PVDF, PVDF-HP
- EPDM, FPM, PTFE/EPDM, PTFE / FPM
- DN65 - DN150
- up to PN10
- pneumatic actuated FC, FO, DA
- Accessories available

## Actuated process control valves



**Solenoid Valve**  
type 157

- direct acting pivoted armature valve
- 2/2-Ways
- PVC-U
- EPDM, FPM
- 230 V AC, 24 V AC, 24 V DC
- DN4-DN8
- 0-4 bar depending on dimension



**Solenoid Valve**  
type 160 / 161

- direct acting pivoted armature valve
- 2/2- or 3/2-Ways
- PVC-U
- EPDM, FPM
- 230 V AC, 24 V AC, 24 V DC
- DN10-DN20
- 0-3 bar depending on dimension



**Solenoid Valve**  
type 165

- pilot assisted solenoid valve
- 2/2-Ways
- PVC-U, PVDF
- EPDM, FPM
- 230 V AC, 110 V AC, 24 V AC, 24 V DC
- DN15 - DN50
- 0.5 - 6 bar



**Solenoid Valve**  
type 166

- direct acting pivoted armature valve
- 2/2- or 3/2-Ways
- PVC-U, PVDF
- EPDM, FPM
- 230 V AC, 110 V AC, 24 V AC, 24 V DC
- DN3 - DN5
- 0-10 bar depending on dimension

# Easy to regulate

## Pressure regulating valves



**Pressure Reducing Valve  
type 582**

- PVC-U, CPVC, PP-H, PVDF
- Spigot or union connection
- O-ring Material: EPDM, FPM
- DN10–DN50
- 0.5–9 bar or 0.3–3 bar
- Manometer with or without gauge guard optional



**Pressure Retaining Valve  
type 586**

- PVC-U, CPVC, PP-H, PVDF
- Spigot or union connection
- O-ring Material: EPDM, FPM
- DN10–DN50
- 0.5–9 bar or 0.3–3 bar
- Manometer with or without gauge guard optional



**Pressure Retaining Valve  
type V86**

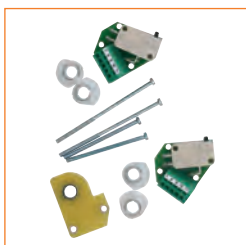
- PVC-U, PP, PVDF
- EPDM, EPDM-PTFE-coated
- V86: DN65–80: 1–6 bar  
DN100: 1–4 bar



**Pressure Reducing Valve  
type V82**

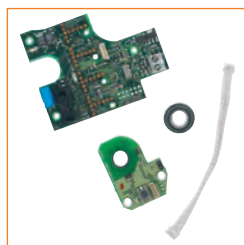
- PVC-U, PP, PVDF
- EPDM, EPDM-PTFE-coated
- V82: DN65–80: 0.5–6 bar  
DN100 0.5–4 bar

## Electric accessories



**Limit switches (position feedback) for  
EA11 - 42**

- Mechanical switches (AgNi or Au)
- NPN/PNP
- Middle position (3way Ball Valve)
- Additional 2 limit switches
- For EA11: AgNi switches only



**Monitoring and Positioner Options for  
EA21 - 42**

- Monitoring board with:
- Cycle counter
  - Cycle Time extension and/ or monitoring
  - Current Monitoring
- Positioner with:
- Input: 0–10V or 4–20mA
  - Feedback: 4–20mA



**Heating element and Fail-safe return  
unit for EA11 - 42**

- Heating element reduces condensation
- Caused by temperature variation
- Fail safe return unit for safe
- Adjustment in case of power failure
- 230 V AC; 24 V AC/DC



**Accessories for type EA25 - 250**

- Fail-safe return unit to be installed in housing
- Positioner
- Monitoring Board
- Profibus





## Pneumatic accessories



**Solenoid pilot valve 3/2-ways type PV94**

- 230 V, 50-60 Hz
- 115 V, 50-60 Hz
- 24 V, 50-60 Hz
- 24 V DC
- G $\frac{1}{8}$ , G $\frac{1}{4}$ , G6mm
- DN1.2



**Solenoid pilot valve 3/2-ways type PV95**

- 230 V, 50-60 Hz
- 115 V, 50-60 Hz
- 24 V, 50-60 Hz
- 24 V DC
- G $\frac{1}{8}$ , G $\frac{1}{4}$ ;
- DN1.5-DN2



**Solenoid Pilot valve type 2000**

- Modular version for 3/2-way and 5/2-way valves
- 24 V DC
- Connection module AS-Interface
- Connection module profibus interface



**Solenoid pilot valve type MNL 532**

- Version for 3/2-way and 5/2-way
- Namur connection
- Material of body: Aluminium
- 24 V AC, 24 V DC, 48 V AC, 110 V AC, 230 V AC



**Electric position feedback type ER 52-1/ER53-1**

- For pneumatic stroke actuators
- For Diastar Ten, TenPLUS, Sixteen, 025
- Mechanical switches (AgNi or Au)
- NPN/PNP, Namur
- With visual position indication



**Electric position feedback limit switch box**

- For pneumatic rotary actuators
- For PA11-90:
- Mechanical switches (AgNi or Au)
- NPN/PNP, Namur
- With visual position indication



**Stroke limiter/ manual override**

- For Diastar all type Ten, TenPLUS, Sixteen, 025



**Digital electro-pneumatic positioner type DSR 500**

- Mounted on pneumatic control valves
- Linear and rotary actuators
- Nominal stroke 3-28 mm
- Self-learning
- Control signal 4-20 mA
- 24 V DC

# Communication Products

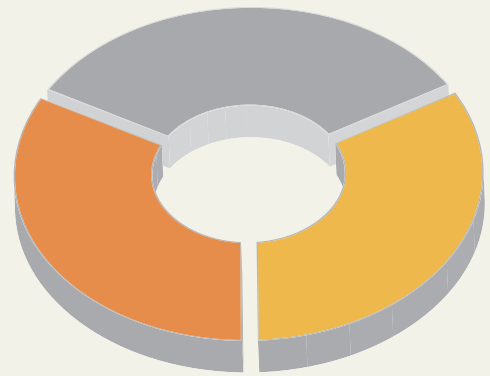
Different communication protocols for different needs



Our automation loop can be managed with various communication technologies and can therefore be seamlessly integrated into existing plant management systems. We offer analogue and digital communication technologies which support on / off or continuous control loops. Benefits are less wiring, faster installations and more efficient diagnostic and parameterization capabilities.

# Communication products

An overview of the key products



## Communication



### Profibus Concentrator type 3-0486

- Connect GF Actuated Valves and Sensors to Profibus automation networks
- Supports six S<sup>3</sup>L sensors or relay modules plus a proportional controlled actuated valve
- Four of the (S<sup>3</sup>L) inputs support flow frequency devices for cost effective flow monitoring
- Two of the (S<sup>3</sup>L) inputs support 4 to 20 mA current loop inputs for connections to third party sensors
  - 4 to 20 mA current loop input and output for connection to GF proportional controlled actuated valves



### Profibus

- Modular version for 3/2-way and 5/2-way valves
- 24 V DC
- Connection module AS-Interface
- Connection module profibus interface



### AS-interface for pneumatic rotary actuators

- Pilot valve 5/2-Ways
- Electric feedback integrated
- Full plastic housing
- Optical status indicator
- AS Interface Version 3.0



### AS-interface for electric actuators

- Integrated control an electric
- Feedback
- For 24 V DC actuators
- For EA11-EA42
- Manual override standard



### AS-interface for manual valves with feedback

- With integrated feedback
- Ideal for Ball Valves
- Ideal for Butterfly Valves
- Ideal for Diaphragm Valves



### AS-interface for pneumatic stroke actuators

- Pilot valve 3/2-Ways
- Compact design
- Full plastic housing
- Optical status indicator
- AS Interface Version 3.0



### AS-interface for sensor with switch output

- With switching output
- For level switch
- For flow switch
- For pressure switch
- For temperature switch




### HART

- HART Protocol superimposes digital signals on top of the 4-20 mA analog signal
- Communication occurs between two HART-enabled devices
- HART protocol operates according to the master-slave method




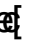
# Valves

The right valve  
for your application

A decorative graphic consisting of a grid of plus signs in various colors (blue, green, yellow, orange, red, purple) that fades out towards the right side of the page.

We offer one of the most comprehensive valve product ranges, which enables you to find the right match for your application. Our valves are available in a wide selection of dimensions, materials, chemical resistances, standards, actuation, operation principles, and pipe connections and are designed for long service life. The combination of the right valve selection and our high product quality leads to a favorable total cost of ownership.

# Product Configurator

Create your own  

## Electric Actuator

- T01 EA 1124V with Cable Plug
- T02 EA 11 100-230V with Cable Plug
- T07 EA 25 24V with Cable Plug
- T08 EA 25 100-230V with Cable Plug
- T09 EA 120 24V with Cable Plug
- T10 EA 120 100-230V with Cable Plug
- T11 EA 250 24V with Cable Plug
- T12 EA 250 100-230V with Cable Plug



## Angle (Open/ Close)

- W45 45°
- W90 90°
- W180 180°

## Middle Position

- W17 No
- W18 Yes

## Colour Assignment Feedback

- W20 Open = rot
- W21 Open = grün

## Position Feedback

- W23 Open/ Close
- W24 Open/ Close/ Middle
- W25 Middle

## Wiring Feedback

- W26 NC
- W28 NO

## Heating Threshold

- W29 5°
- ... [5°steps]
- W37 45°

## Failsafe Return uni

- W39 Integrated (Battery powered)
- W40 External (no Battery - 24V needed)

## Accessory

- W42 Positioner
- W43 Monitoring
- W44 Profibus

## Setting Positioner

- W46 BCD = 0
- ...
- W55 BCD = 9

## Setting Motor Current

- W56 BCD = 0
- ...
- W65 BCD = 9

## Setting Cycle Time

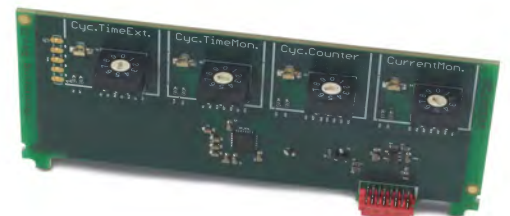
- W66 BCD = 0
- ...
- W75 BCD = 9

## Setting Cycle Time monitoring

- W76 BCD = 0
- ...
- W85 BCD = 9

## Setting Cycle Counter

- W86 BCD = 0
- ...
- W96 BCD = 9



T08 W90 W17 W20 W23 W26 W29 W39 W42 W46 W65 - - - =

# Actuated valves

## Ball valves electric



DN10/15 - 50



DN10/15 - 50

**SYGEF Standard**  
**Ball valve type 107 100-230V**  
**With manual emergency override**  
**With socket fusion spigots metric**

**Model:**

- Material: PVDF
- Built on with electric actuator EA11
- Voltage 100-230 V, 50-60 Hz
- Control range 90°<
- Control time 5 s/90°<
- For easy installation and removal
- Integrated stainless steel mounting inserts

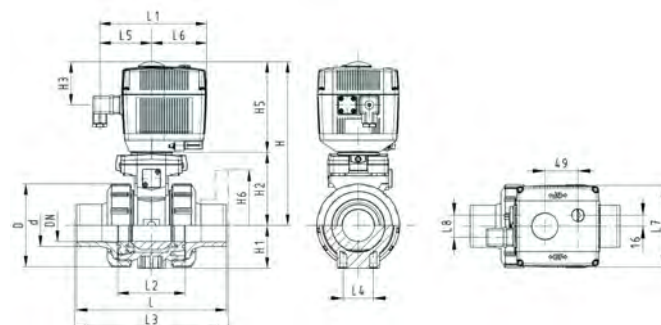
**Option:**

- Individual configuration of the valve (see diagram)

d (mm)	DN (mm)	PN (bar)	kv-value (Δp=1 bar) (l/min)	FPM Code	Weight (kg)
16	10	10	70	<b>199 107 812</b>	2.100
20	15	10	185	<b>199 107 813</b>	2.100
25	20	10	350	<b>199 107 814</b>	2.200
32	25	10	700	<b>199 107 815</b>	2.300
40	32	10	1000	<b>199 107 816</b>	2.600
50	40	10	1600	<b>199 107 817</b>	3.000
63	50	10	3100	<b>199 107 818</b>	3.800

d (mm)	D (mm)	H (mm)	H1 (mm)	H2 (mm)	H3 (mm)	H5 (mm)	L (mm)	L1 (mm)	L2 (mm)	L3 (mm)	L4 (mm)	L5 (mm)	L6 (mm)	L7 (mm)	L8 (mm)
16	50	200	27	64	64	137	114	161	56	0	25	79	83	122	67
20	50	200	27	64	64	137	124	161	56	130	25	79	83	122	67
25	58	209	30	73	64	137	144	161	65	150	25	79	83	122	67
32	68	209	36	73	64	137	154	161	71	160	25	79	83	122	67
40	84	220	44	84	64	137	174	161	85	180	45	79	83	122	67
50	97	220	51	84	64	137	194	161	89	200	45	79	83	122	67
63	124	243	64	106	64	137	224	161	101	230	45	79	83	122	67

d (mm)	closest inch (inch)
16	3/8
20	1/2
25	3/4
32	1
40	1 1/4
50	1 1/2
63	2







DN10/15 - 50



DN10/15 - 50

**SYGEF Standard**  
**Ball valve type 107 100-230V**  
**With manual emergency override**  
**With butt fusion spigots IR-Plus metric**

**Model:**

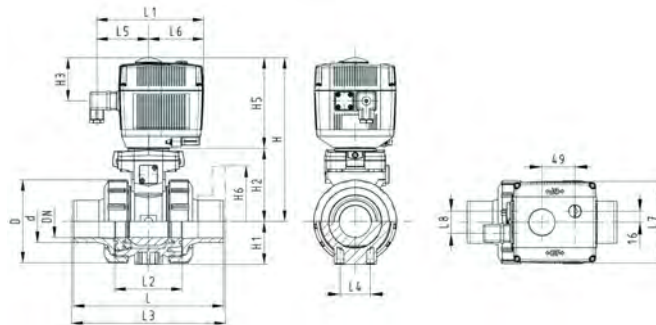
- Material: PVDF
- Built on with electric actuator EA11
- Voltage 100-230 V, 50-60 Hz
- Control range 90°<
- Control time 5 s/90°<
- For easy installation and removal
- Integrated stainless steel mounting inserts

**Option:**

- Individual configuration of the valve (see diagram)

d (mm)	DN (mm)	PN (bar)	kv-value ( $\Delta p=1$ bar) (l/min)	FPM Code	Weight (kg)
20	15	10	185	<b>199 107 423</b>	2.100
25	20	10	350	<b>199 107 424</b>	2.200
32	25	10	700	<b>199 107 425</b>	2.300
40	32	10	1000	<b>199 107 426</b>	2.600
50	40	10	1600	<b>199 107 427</b>	3.000
63	50	10	3100	<b>199 107 428</b>	3.981

d (mm)	D (mm)	H (mm)	H1 (mm)	H2 (mm)	H3 (mm)	H5 (mm)	L (mm)	L1 (mm)	L2 (mm)	L4 (mm)	L5 (mm)	L6 (mm)	L7 (mm)	L8 (mm)	closest inch (inch)
20	50	200	27	64	64	137	130	161	56	25	79	83	122	67	1/2
25	58	209	30	73	64	137	143	161	65	25	79	83	122	67	3/4
32	68	209	36	73	64	137	150	161	71	25	79	83	122	67	1
40	84	220	44	84	64	137	171	161	85	45	79	83	122	67	1 1/4
50	97	220	51	84	64	137	191	161	89	45	79	83	122	67	1 1/2
63	124	243	64	106	64	137	220	161	101	45	79	83	122	67	2





DN10/15 - 50

**SYGEF Standard**  
**Ball valve type 107 24V**  
**With manual emergency override**  
**With fusion sockets metric**

**Model:**

- Material: PVDF
- Built on with electric actuator EA11
- Voltage 24 V AC/DC
- Control range 90°<
- Control time 5 s/90°<
- For easy installation and removal
- Integrated stainless steel mounting inserts

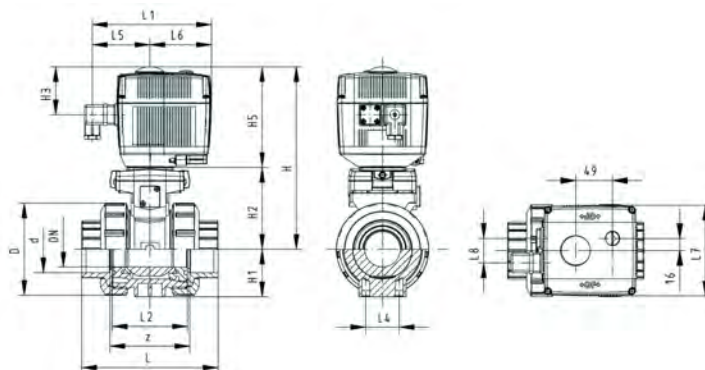
**Option:**

- Individual configuration of the valve (see diagram)

d (mm)	DN (mm)	PN (bar)	kv-value (Δp=1 bar) (l/min)	FPM Code	Weight (kg)
16	10	10	70	<b>199 107 822</b>	2.100
20	15	10	185	<b>199 107 823</b>	2.100
25	20	10	350	<b>199 107 824</b>	2.200
32	25	10	700	<b>199 107 825</b>	2.414
40	32	10	1000	<b>199 107 826</b>	2.600
50	40	10	1600	<b>199 107 827</b>	2.995
63	50	10	3100	<b>199 107 828</b>	3.800

d (mm)	D (mm)	H (mm)	H1 (mm)	H2 (mm)	H3 (mm)	H5 (mm)	L (mm)	L1 (mm)	L2 (mm)	L4 (mm)	L5 (mm)	L6 (mm)	L7 (mm)	L8 (mm)	z (mm)
16	50	200	27	64	64	137	93	161	56	25	79	83	122	67	67
20	50	200	27	64	64	137	95	161	56	25	79	83	122	67	66
25	58	209	30	73	64	137	109	161	65	25	79	83	122	67	77
32	68	209	36	73	64	137	119	161	71	25	79	83	122	67	83
40	84	220	44	84	64	137	135	161	85	45	79	83	122	67	99
50	97	220	51	84	64	137	147	161	89	45	79	83	122	67	105
63	124	243	64	106	64	137	168	161	101	45	79	83	122	67	117

d (mm)	closest inch (inch)
16	¾
20	½
25	¾
32	1
40	1 ¼
50	1 ½
63	2





DN10/15 - 50

**SYGEF Standard**  
**Ball valve type 107 24V**  
**With manual emergency override**  
**With fixed flanges PVDF serrated metric**

**Model:**

- Material: PVDF
- Built on with electric actuator EA11
- Voltage 24 V AC/DC
- Control range 90°<
- Control time 5 s/90°<
- For easy installation and removal
- Integrated stainless steel mounting inserts
- Overall length EN 558
- Connecting dimension: ISO 7005 / EN 1092 / DIN 25 PN10 / BS4504

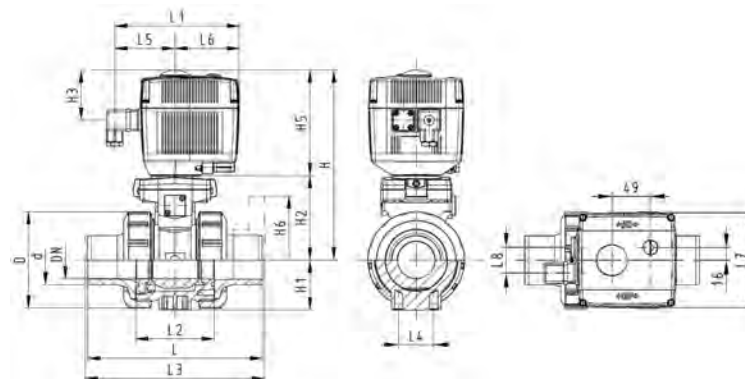
**Option:**

- Individual configuration of the valve (see diagram)

d (mm)	DN (mm)	Size (inch)	PN (bar)	kv-value ( $\Delta p=1$ bar) (l/min)	FPM Code	Weight (kg)
20	15	½	10	185	<b>199 107 853</b>	2.300
25	20	¾	10	350	<b>199 107 854</b>	2.500
32	25	1	10	700	<b>199 107 855</b>	2.700
40	32	1 ¼	10	1000	<b>199 107 856</b>	3.200
50	40	1 ½	10	1600	<b>199 107 857</b>	3.700
63	50	2	10	3100	<b>199 107 858</b>	4.800

d (mm)	D (mm)	H (mm)	H1 (mm)	H2 (mm)	H3 (mm)	H5 (mm)	H6 (mm)	L (mm)	L1 (mm)	L2 (mm)	L3 (mm)	L4 (mm)	L5 (mm)	L6 (mm)	L7 (mm)
20	50	201	27	64	65	138	48	124	160	56	130	25	77	83	122
25	58	210	30	73	65	138	53	144	160	65	150	25	77	83	122
32	68	210	36	73	65	138	58	154	160	71	160	25	77	83	122
40	84	221	44	84	65	138	70	174	160	85	180	45	77	83	122
50	97	221	51	84	65	138	75	194	160	89	200	45	77	83	122
63	124	244	64	106	65	138	83	224	160	101	230	45	77	83	122

d (mm)	L8 (mm)
20	33
25	33
32	33
40	33
50	33
63	33





DN10/15 - 50



DN10/15 - 50

**SYGEF Standard**  
**Ball valve type 107 100-230V**  
**With manual emergency override**  
**With fixed flanges PVDF serrated metric**

**Model:**

- Material: PVDF
- Built on with electric actuator EA11
- Voltage 100-230 V, 50-60 Hz
- Control range 90°<
- Control time 5 s/90°<
- For easy installation and removal
- Integrated stainless steel mounting inserts
- Overall length EN 558
- Connecting dimension: ISO 7005 / EN 1092 / DIN 25 PN10 / BS4504

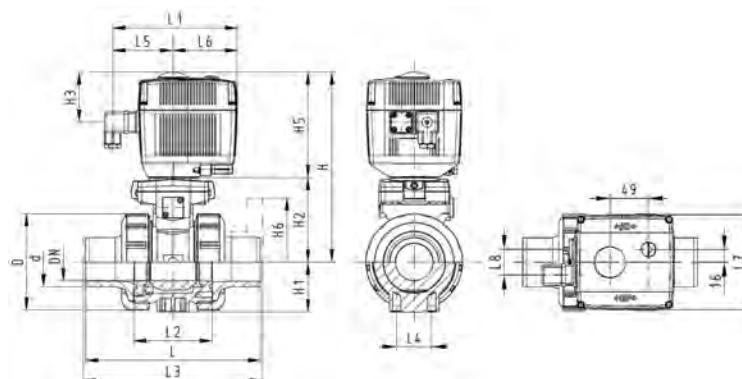
**Option:**

- Individual configuration of the valve (see diagram)

d (mm)	DN (mm)	Size (inch)	PN (bar)	kv-value ( $\Delta p=1$ bar) (L/min)	FPM Code	Weight (kg)
20	15	½	10	185	<b>199 107 843</b>	2.300
25	20	¾	10	350	<b>199 107 844</b>	2.500
32	25	1	10	700	<b>199 107 845</b>	2.700
40	32	1 ¼	10	1000	<b>199 107 846</b>	3.200
50	40	1 ½	10	1600	<b>199 107 847</b>	3.700
63	50	2	10	3100	<b>199 107 848</b>	4.800

d (mm)	D (mm)	H (mm)	H1 (mm)	H2 (mm)	H3 (mm)	H5 (mm)	H6 (mm)	L (mm)	L1 (mm)	L2 (mm)	L3 (mm)	L4 (mm)	L5 (mm)	L6 (mm)	L7 (mm)
20	50	201	27	64	65	138	48	124	160	56	130	25	77	83	122
25	58	210	30	73	65	138	53	144	160	65	150	25	77	83	122
32	68	210	36	73	65	138	58	154	160	71	160	25	77	83	122
40	84	221	44	84	65	138	70	174	160	85	180	45	77	83	122
50	97	221	51	84	65	138	75	194	160	89	200	45	77	83	122
63	124	244	64	106	65	138	83	224	160	101	230	45	77	83	122

d (mm)	L8 (mm)
20	33
25	33
32	33
40	33
50	33
63	33





DN10/15 - 50

**SYGEF Standard**  
**Ball valve type 107 100-230V**  
**With manual emergency override**  
**With fusion sockets metric**

**Model:**

- Material: PVDF
- Built on with electric actuator EA11
- Voltage 100-230 V, 50-60 Hz
- Control range 90°<
- Control time 5 s/90°<
- For easy installation and removal
- Integrated stainless steel mounting inserts

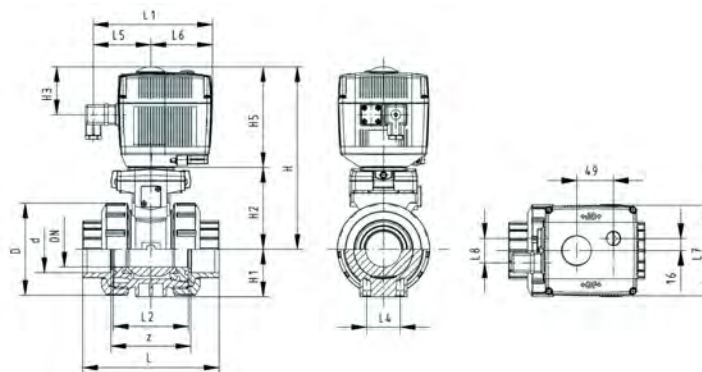
**Option:**

- Individual configuration of the valve (see diagram)

d (mm)	DN (mm)	PN (bar)	kv-value ( $\Delta p=1$ bar) (l/min)	FPM Code	Weight (kg)
16	10	10	70	<b>199 107 802</b>	2.100
20	15	10	185	<b>199 107 803</b>	2.100
25	20	10	350	<b>199 107 804</b>	2.200
32	25	10	700	<b>199 107 805</b>	2.300
40	32	10	1000	<b>199 107 806</b>	2.600
50	40	10	1600	<b>199 107 807</b>	3.000
63	50	10	3100	<b>199 107 808</b>	3.800

d (mm)	D (mm)	H (mm)	H1 (mm)	H2 (mm)	H3 (mm)	H5 (mm)	L (mm)	L1 (mm)	L2 (mm)	L4 (mm)	L5 (mm)	L6 (mm)	L7 (mm)	L8 (mm)	z (mm)
16	50	200	27	64	64	137	93	161	56	25	79	83	122	67	67
20	50	200	27	64	64	137	95	161	56	25	79	83	122	67	66
25	58	209	30	73	64	137	109	161	65	25	79	83	122	67	77
32	68	209	36	73	64	137	119	161	71	25	79	83	122	67	83
40	84	220	44	84	64	137	135	161	85	45	79	83	122	67	99
50	97	220	51	84	64	137	147	161	89	45	79	83	122	67	105
63	124	243	64	106	64	137	168	161	101	45	79	83	122	67	117

d (mm)	closest inch (inch)
16	3/4
20	1/2
25	3/4
32	1
40	1 1/4
50	1 1/2
63	2





**SYGEF Standard**  
**Ball valve type 107 24V**  
**With manual emergency override**  
**With butt fusion spigots IR-Plus metric**

**Model:**

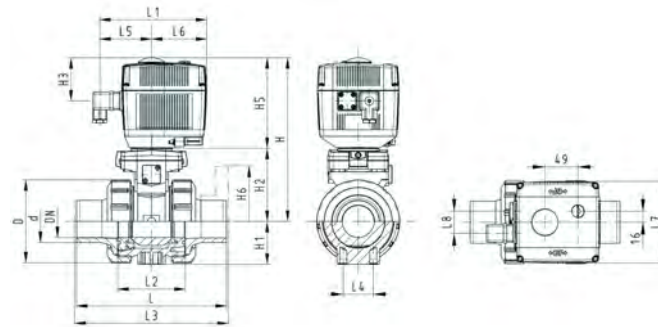
- Material: PVDF
- Built on with electric actuator EA11
- Voltage 24 V AC/DC
- Control range 90°<
- Control time 5 s/90°<
- For easy installation and removal
- Integrated stainless steel mounting inserts

**Option:**

- Individual configuration of the valve (see diagram)

d (mm)	DN (mm)	PN (bar)	kv-value ( $\Delta p=1$ bar) (l/min)	FPM Code	Weight (kg)
20	15	10	185	<b>199 107 433</b>	2.100
25	20	10	350	<b>199 107 434</b>	2.200
32	25	10	700	<b>199 107 435</b>	2.300
40	32	10	1000	<b>199 107 436</b>	2.600
50	40	10	1600	<b>199 107 437</b>	3.000
63	50	10	3100	<b>199 107 438</b>	3.800

d (mm)	D (mm)	H (mm)	H1 (mm)	H2 (mm)	H3 (mm)	H5 (mm)	L (mm)	L1 (mm)	L2 (mm)	L4 (mm)	L5 (mm)	L6 (mm)	L7 (mm)	L8 (mm)	closest inch (inch)
20	50	200	27	64	64	137	130	161	56	25	79	83	122	67	½
25	58	209	30	73	64	137	143	161	65	25	79	83	122	67	¾
32	68	209	36	73	64	137	150	161	71	25	79	83	122	67	1
40	84	220	44	84	64	137	171	161	85	45	79	83	122	67	1 ¼
50	97	220	51	84	64	137	191	161	89	45	79	83	122	67	1 ½
63	124	243	64	106	64	137	220	161	101	45	79	83	122	67	2







**SYGEF Standard**  
**Ball valve type 107 24V**  
**With manual emergency override**  
**With socket fusion spigots metric**

**Model:**

- Material: PVDF
- Built on with electric actuator EA11
- Voltage 24 V AC/DC
- Control range 90°<
- Control time 5 s/90°<
- For easy installation and removal
- Integrated stainless steel mounting inserts

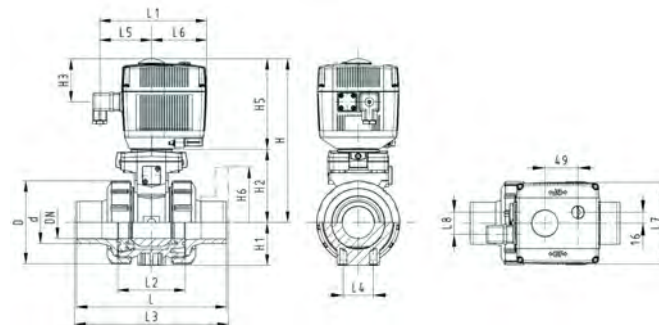
**Option:**

- Individual configuration of the valve (see diagram)

d (mm)	DN (mm)	PN (bar)	kv-value (Δp=1 bar) (l/min)	FPM Code	Weight (kg)
16	10	10	70	<b>199 107 832</b>	2.100
20	15	10	185	<b>199 107 833</b>	2.100
25	20	10	350	<b>199 107 834</b>	2.200
32	25	10	700	<b>199 107 835</b>	2.300
40	32	10	1000	<b>199 107 836</b>	2.600
50	40	10	1600	<b>199 107 837</b>	3.000
63	50	10	3100	<b>199 107 838</b>	3.800

d (mm)	D (mm)	H (mm)	H1 (mm)	H2 (mm)	H3 (mm)	H5 (mm)	L (mm)	L1 (mm)	L2 (mm)	L3 (mm)	L4 (mm)	L5 (mm)	L6 (mm)	L7 (mm)	L8 (mm)
16	50	200	27	64	64	137	114	161	56	0	25	79	83	122	67
20	50	200	27	64	64	137	124	161	56	130	25	79	83	122	67
25	58	209	30	73	64	137	144	161	65	150	25	79	83	122	67
32	68	209	36	73	64	137	154	161	71	160	25	79	83	122	67
40	84	220	44	84	64	137	174	161	85	180	45	79	83	122	67
50	97	220	51	84	64	137	194	161	89	200	45	79	83	122	67
63	124	243	64	106	64	137	224	161	101	230	45	79	83	122	67

d (mm)	closest inch (inch)
16	¾
20	½
25	¾
32	1
40	1 ¼
50	1 ½
63	2





**SYGEF Standard**  
**Ball valve type 181 100-230V**  
**With manual emergency override**  
**With fusion sockets metric**

**Model:**

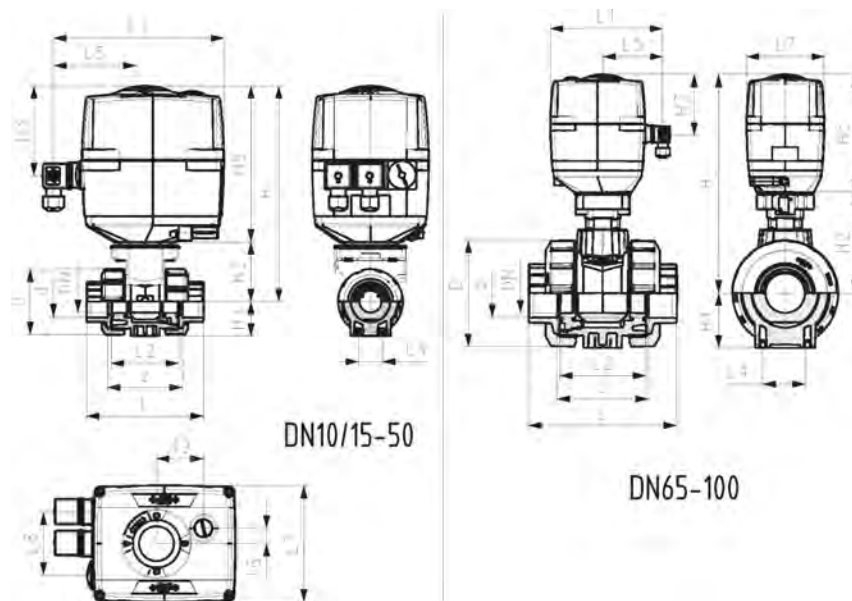
- Material: PVDF
- Voltage 100-230 V, 50-60 Hz
- Factory set control range 90°<
- Heating element, position feedback (Open/Close/ Middle)
- Integrated stainless steel mounting inserts

**Option:**

- Other valve and actuator configurations available
- Optional accessories: Fail-safe return unit, Monitoring board, Position controller, Profibus DP board

d (mm)	DN (mm)	PN (bar)	kv-value ( $\Delta p=1$ bar) (l/min)	EA	FPM Code	Weight (kg)
16	10	10	70	EA25	<b>199 181 012</b>	2.100
20	15	10	185	EA25	<b>199 181 013</b>	2.100
25	20	10	350	EA25	<b>199 181 014</b>	2.200
32	25	10	700	EA25	<b>199 181 015</b>	2.300
40	32	10	1000	EA25	<b>199 181 016</b>	2.600
50	40	10	1600	EA25	<b>199 181 017</b>	3.000
63	50	10	3100	EA25	<b>199 181 018</b>	3.800
75	65	10	5000	EA45	<b>199 181 019</b>	8.800
90	80	10	7000	EA120	<b>199 181 020</b>	11.900
110	100	10	11000	EA120	<b>199 181 021</b>	17.500

d (mm)	D (mm)	H (mm)	H1 (mm)	H2 (mm)	H3 (mm)	H5 (mm)	L (mm)	L1 (mm)	L2 (mm)	L4 (mm)	L5 (mm)	L7 (mm)	z (mm)
16	50	231	27	64	94	167	93	180	56	25	97	122	67
20	50	231	27	64	94	167	95	180	56	25	97	122	66
25	58	240	30	73	94	167	109	180	65	25	97	122	77
32	68	240	36	73	94	167	119	180	71	25	97	122	83
40	84	251	44	84	94	167	135	180	85	45	97	122	99
50	97	251	51	84	94	167	147	180	89	45	97	122	105
63	124	273	64	106	94	167	168	180	101	45	97	122	117
75	166	346	85	156	94	190	233	180	136	70	98	122	167
90	200	358	105	168	94	190	254	180	141	70	98	122	180
110	238	365	123	175	94	190	301	180	164	120	98	122	215





**SYGEF Standard**  
**Ball valve type 181 100-230V**  
**With manual emergency override**  
**With butt fusion spigots IR-Plus metric**

**Model:**

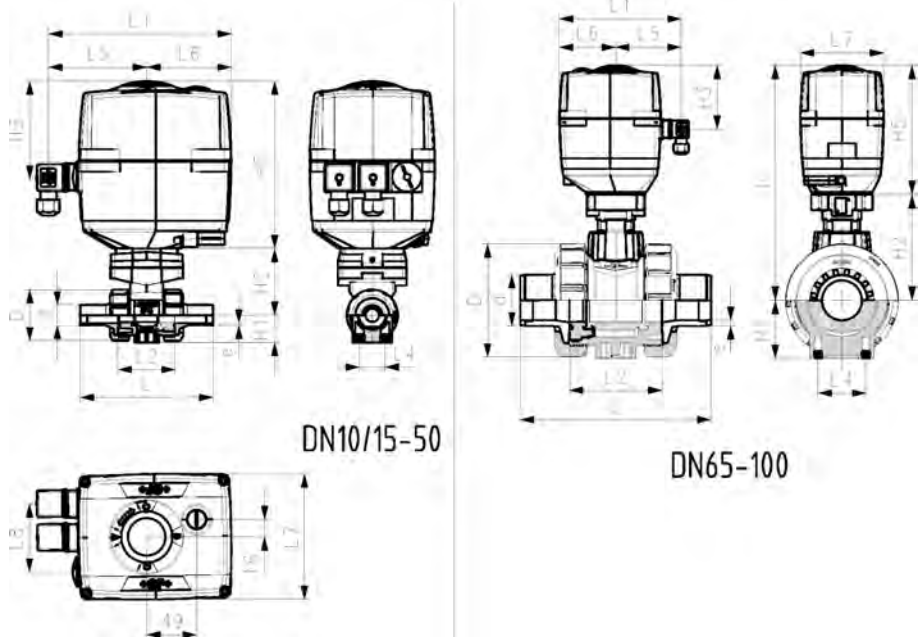
- Material: PVDF
- Voltage 100-230 V, 50-60 Hz
- Factory set control range 90°<
- Heating element, position feedback (Open/Close/ Middle)
- Integrated stainless steel mounting inserts

**Option:**

- Other valve and actuator configurations available
- Optional accessories: Fail-safe return unit, Monitoring board, Position controller, Profibus DP board

d (mm)	DN (mm)	PN (bar)	kv-value ( $\Delta p=1$ bar) (l/min)	EA	FPM Code	Weight (kg)
20	15	10	185	EA25	<b>199 181 113</b>	2.100
25	20	10	350	EA25	<b>199 181 114</b>	2.200
32	25	10	700	EA25	<b>199 181 115</b>	2.300
40	32	10	1000	EA25	<b>199 181 116</b>	2.600
50	40	10	1600	EA25	<b>199 181 117</b>	3.000
53	50	10	3100	EA25	<b>199 181 118</b>	3.800
63	50	10	5000	EA25	<b>199 181 119</b>	9.100
90	80	10	7000	EA120	<b>199 181 120</b>	12.200
110	100	10	11000	EA120	<b>199 181 121</b>	17.500

d (mm)	D (mm)	H (mm)	H1 (mm)	H2 (mm)	H3 (mm)	H5 (mm)	L (mm)	L1 (mm)	L2 (mm)	L4 (mm)	L5 (mm)	L7 (mm)	e (mm)
20	50	231	27	64	94	167	130	180	56	25	97	122	1.9
25	58	240	30	73	94	167	143	180	65	25	97	122	1.9
32	68	240	36	73	94	167	150	180	71	25	97	122	2.4
40	84	251	44	84	94	167	171	180	85	45	97	122	2.4
50	97	251	51	84	94	167	191	180	89	45	97	122	3.0
53	124	273	64	106	94	167	220	108	101	45	97	122	3.0
63	166	346	85	156	94	190	266	180	136	70	98	122	3.6
90	200	358	105	168	94	190	264	180	141	70	98	122	4.3
110	238	365	123	175	94	190	301	180	164	70	98	122	5.3



# Ball valves pneumatic



DN10/15 - 50

**SYGEF Standard**  
**Ball valve type 232**  
**Function FC (Fail safe to close)**  
**With manual override**  
**With fusion Sockets metric**

**Model:**

- Material: PVDF
- Built on with pneumatic actuator PA11 (DN10/15-25), PA21 (DN32-50)
- Control time 90°< 1-2s
- For easy installation and removal
- Integrated stainless steel mounting inserts

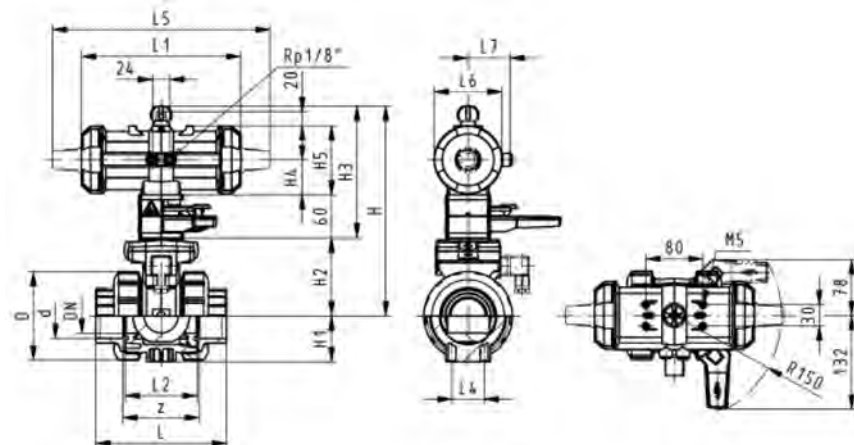
**Option:**

- Individual configuration of the valve (see diagram)

d	DN	PN	kv-value	FPM	Weight
(mm)	(mm)	(bar)	( $\Delta p=1$ bar)	Code	(kg)
			(l/min)		
16	10	10	70	<b>199 232 012</b>	1.500
20	15	10	185	<b>199 232 013</b>	1.500
25	20	10	350	<b>199 232 014</b>	1.600
32	25	10	700	<b>199 232 015</b>	1.700
40	32	10	1000	<b>199 232 016</b>	2.800
50	40	10	1600	<b>199 232 017</b>	3.100
63	50	10	3100	<b>199 232 018</b>	4.000

d	D	H	H1	H2	H3	H4	H5	L	L1	L2	L4	L5	L6	L7	z
(mm)	(mm)	(mm)	(mm)	(mm)	(mm)	(mm)	(mm)	(mm)	(mm)	(mm)	(mm)	(mm)	(mm)	(mm)	(mm)
16	50	230	27	62	168	40	77	93	194	56	25	261	76	48	67
20	50	230	27	62	168	40	77	95	194	56	25	261	76	48	66
25	58	239	30	71	168	40	77	109	194	65	25	261	76	48	77
32	68	239	36	71	168	40	77	119	194	71	25	261	76	48	83
40	84	271	44	84	187	51	99	135	224	85	45	305	95	59	99
50	97	271	51	84	187	51	99	147	224	89	45	305	95	59	105
63	124	293	64	106	187	51	99	168	224	101	45	305	95	59	117

d	closest
(mm)	inch
(inch)	
16	3/8
20	1/2
25	3/4
32	1
40	1 1/4
50	1 1/2
63	2





DN10/15 - 50

**SYGEF Standard**  
**Ball valve type 232**  
**Function FC (Fail safe to close)**  
**With manual override**  
**With threaded sockets NPT**

**Model:**

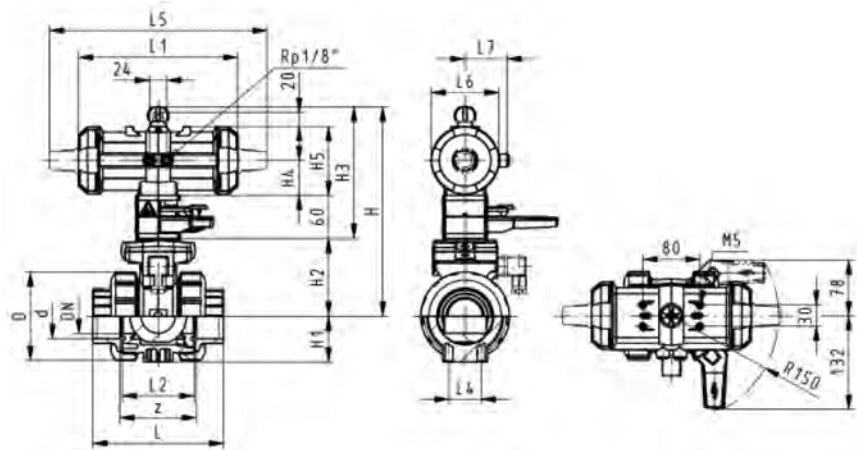
- Material: PVDF
- Built on with pneumatic actuator PA11 (DN10/15-25), PA21 (DN32-50)
- Control time 90°(<) 1-2s
- For easy installation and removal
- Integrated stainless steel mounting inserts

**Option:**

- Individual configuration of the valve (see diagram)

Size (inch)	DN (mm)	PN (bar)	kv-value ( $\Delta p=1$ bar) (L/min)	FPM Code	Weight (kg)
3/8	10	10	70	199 232 512	1.500
1/2	15	10	185	199 232 513	2.275
3/4	20	10	350	199 232 514	1.600
1	25	10	700	199 232 515	1.700
1 1/4	32	10	1000	199 232 516	2.800
1 1/2	40	10	1600	199 232 517	3.100
2	50	10	3100	199 232 518	4.935

Size (inch)	D (mm)	H (mm)	H1 (mm)	H2 (mm)	H3 (mm)	H4 (mm)	H5 (mm)	L (mm)	L1 (mm)	L2 (mm)	L4 (mm)	L5 (mm)	L6 (mm)	L7 (mm)	z (mm)
3/8	50	159	27	62	168	40	77	96	194	56	25	261	76	48	69
1/2	50	159	27	62	168	40	77	99	194	56	25	261	76	48	64
3/4	58	168	30	71	168	40	77	111	194	65	25	261	76	48	76
1	68	168	36	71	168	40	77	127	194	71	25	261	76	48	83
1 1/4	84	202	44	84	187	51	99	146	224	85	45	305	95	59	101
1 1/2	97	202	51	84	187	51	99	157	224	89	45	305	95	59	111
2	124	225	64	106	187	51	99	183	224	101	45	305	95	59	135





DN10/15 - 50

**SYGEF Standard**  
**Ball valve type 232**  
**Function FO (Fail safe to open)**  
**With manual override**  
**With threaded sockets NPT**

**Model:**

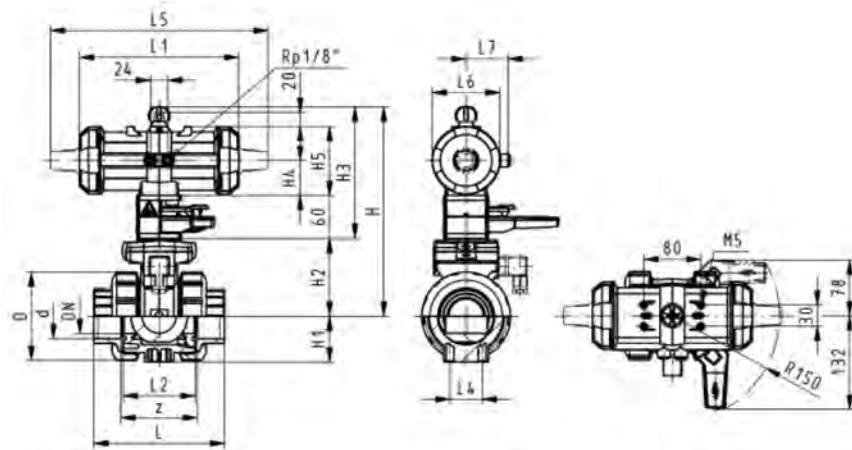
- Material: PVDF
- Built on with pneumatic actuator PA11 (DN10/15-25), PA21 (DN32-50)
- Control time 90° < 1-2s
- For easy installation and removal
- Integrated stainless steel mounting inserts

**Option:**

- Individual configuration of the valve (see diagram)

Size (inch)	DN (mm)	PN (bar)	kv-value ( $\Delta p=1$ bar) (L/min)	FPM Code	Weight (kg)
3/8	10	10	70	199 232 532	1.500
1/2	15	10	185	199 232 533	1.500
3/4	20	10	350	199 232 534	1.600
1	25	10	700	199 232 535	1.700
1 1/4	32	10	1000	199 232 536	2.800
1 1/2	40	10	1600	199 232 537	3.100
2	50	10	3100	199 232 538	4.000

Size (inch)	D (mm)	H (mm)	H1 (mm)	H2 (mm)	H3 (mm)	H4 (mm)	H5 (mm)	L (mm)	L1 (mm)	L2 (mm)	L4 (mm)	L5 (mm)	L6 (mm)	L7 (mm)	z (mm)
3/8	50	159	27	62	168	40	77	96	194	56	25	261	76	48	69
1/2	50	159	27	62	168	40	77	99	194	56	25	261	76	48	64
3/4	58	168	30	71	168	40	77	111	194	65	25	261	76	48	76
1	68	168	36	71	168	40	77	127	194	71	25	261	76	48	83
1 1/4	84	202	44	84	187	51	99	146	224	85	45	305	95	59	101
1 1/2	97	202	51	84	187	51	99	157	224	89	45	305	95	59	111
2	124	225	64	106	187	51	99	183	224	101	45	305	95	59	135







DN10/15 - 50

**SYGEF Standard**  
**Ball valve type 232**  
**Function DA (Double acting)**  
**With manual override**  
**With threaded sockets NPT**

**Model:**

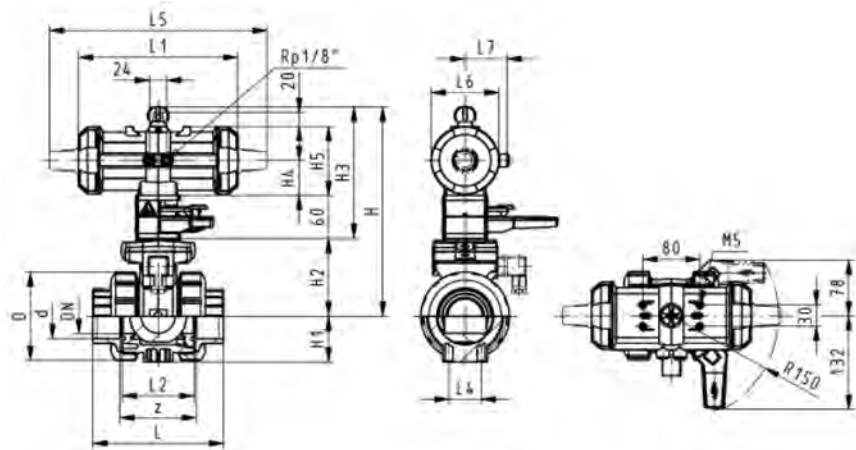
- Material: PVDF
- Built on with pneumatic actuator PA11 (DN10/15-25), PA21 (DN32-50)
- Control time 90°(<) 1-2s
- For easy installation and removal
- Integrated stainless steel mounting inserts

**Option:**

- Individual configuration of the valve (see diagram)

Size (inch)	DN (mm)	PN (bar)	kv-value ( $\Delta p=1$ bar) (L/min)	FPM Code	Weight (kg)
3/8	10	10	70	<b>199 232 552</b>	1.500
1/2	15	10	185	<b>199 232 553</b>	1.500
3/4	20	10	350	<b>199 232 554</b>	1.600
1	25	10	700	<b>199 232 555</b>	1.700
1 1/4	32	10	1000	<b>199 232 556</b>	2.800
1 1/2	40	10	1600	<b>199 232 557</b>	3.100
2	50	10	3100	<b>199 232 558</b>	4.000

Size (inch)	D (mm)	H (mm)	H1 (mm)	H2 (mm)	H3 (mm)	H4 (mm)	H5 (mm)	L (mm)	L1 (mm)	L2 (mm)	L4 (mm)	L5 (mm)	L6 (mm)	L7 (mm)	z (mm)
3/8	50	230	27	62	168	40	77	96	194	56	25	261	76	48	69
1/2	50	230	27	62	168	40	77	99	194	56	25	261	76	48	64
3/4	58	239	30	71	168	40	77	111	194	65	25	261	76	48	76
1	68	239	36	71	168	40	77	127	194	71	25	261	76	48	83
1 1/4	84	271	44	84	187	51	99	146	224	85	45	305	95	59	101
1 1/2	97	271	51	84	187	51	99	157	224	89	45	305	95	59	111
2	124	293	64	106	187	51	99	183	224	101	45	305	95	59	135





DN10/15 - 50

**SYGEF Standard**  
**Ball valve type 232**  
**Function FC (Fail safe to close)**  
**Without manual override**  
**With threaded sockets NPT**

**Model:**

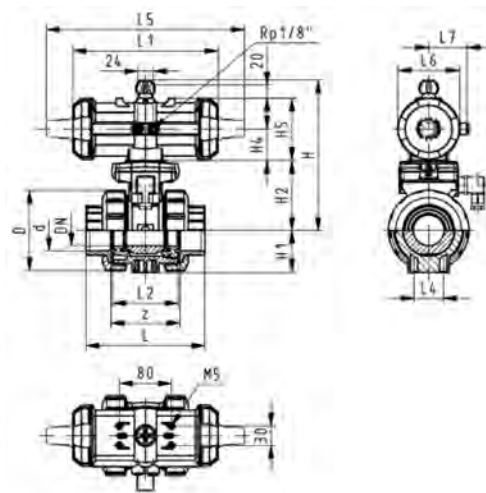
- Material: PVDF
- Built on with pneumatic actuator PA11 (DN10/15-25), PA21 (DN32-50)
- Control time 90° < 1-2s
- For easy installation and removal
- Integrated stainless steel mounting inserts

**Option:**

- Individual configuration of the valve (see diagram)

Size (inch)	DN (mm)	PN (bar)	kv-value ( $\Delta p=1$ bar) (L/min)	FPM Code	Weight (kg)
3/8	10	10	70	199 232 572	1.200
1/2	15	10	185	199 232 573	1.975
3/4	20	10	350	199 232 574	1.300
1	25	10	700	199 232 575	2.245
1 1/4	32	10	1000	199 232 576	2.500
1 1/2	40	10	1600	199 232 577	2.800
2	50	10	3100	199 232 578	3.700

Size (inch)	D (mm)	H (mm)	H1 (mm)	H2 (mm)	H4 (mm)	H5 (mm)	L (mm)	L1 (mm)	L2 (mm)	L4 (mm)	L5 (mm)	L6 (mm)	L7 (mm)	z (mm)
3/8	50	159	27	62	40	77	96	194	56	25	261	76	48	69
1/2	50	159	27	62	40	77	99	194	56	25	261	76	48	64
3/4	58	168	30	71	40	77	111	194	65	25	261	76	48	76
1	68	168	36	71	40	77	127	194	71	25	261	76	48	83
1 1/4	84	202	44	84	51	99	146	224	85	45	305	95	59	101
1 1/2	97	202	51	84	51	99	157	224	89	45	305	95	59	111
2	124	225	64	106	51	99	183	224	101	45	305	95	59	135





DN10/15 - 50

**SYGEF Standard**  
**Ball valve type 232**  
**Function FO (Fail safe to open)**  
**Without manual override**  
**With threaded sockets NPT**

**Model:**

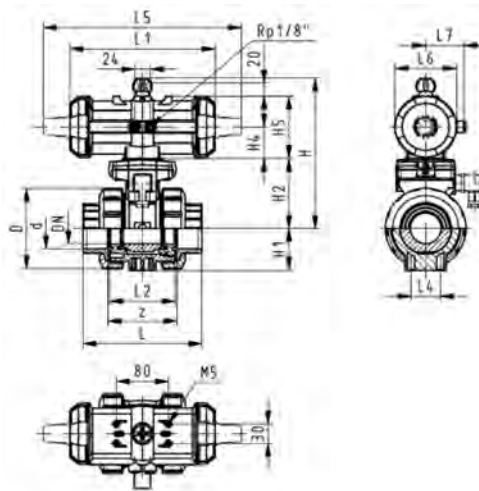
- Material: PVDF
- Built on with pneumatic actuator PA11 (DN10/15-25), PA21 (DN32-50)
- Control time 90° < 1-2s
- For easy installation and removal
- Integrated stainless steel mounting inserts

**Option:**

- Individual configuration of the valve (see diagram)

Size (inch)	DN (mm)	PN (bar)	kv-value ( $\Delta p=1$ bar) (L/min)	FPM Code	Weight (kg)
3/8	10	10	70	199 232 592	1.200
1/2	15	10	185	199 232 593	1.200
3/4	20	10	350	199 232 594	1.300
1	25	10	700	199 232 595	1.400
1 1/4	32	10	1000	199 232 596	2.500
1 1/2	40	10	1600	199 232 597	2.800
2	50	10	3100	199 232 598	3.700

Size (inch)	D (mm)	H (mm)	H1 (mm)	H2 (mm)	H4 (mm)	H5 (mm)	L (mm)	L1 (mm)	L2 (mm)	L4 (mm)	L5 (mm)	L6 (mm)	L7 (mm)	z (mm)
3/8	50	159	27	62	40	77	96	194	56	25	261	76	48	69
1/2	50	159	27	62	40	77	99	194	56	25	261	76	48	64
3/4	58	168	30	71	40	77	111	194	65	25	261	76	48	76
1	68	168	36	71	40	77	127	194	71	25	261	76	48	83
1 1/4	84	202	44	84	51	99	146	224	85	45	305	95	59	101
1 1/2	97	202	51	84	51	99	157	224	89	45	305	95	59	111
2	124	225	64	106	51	99	183	224	101	45	305	95	59	135





DN10/15 - 50

**SYGEF Standard**  
**Ball valve type 232**  
**Function DA (Double acting)**  
**Without manual override**  
**With threaded sockets NPT**

**Model:**

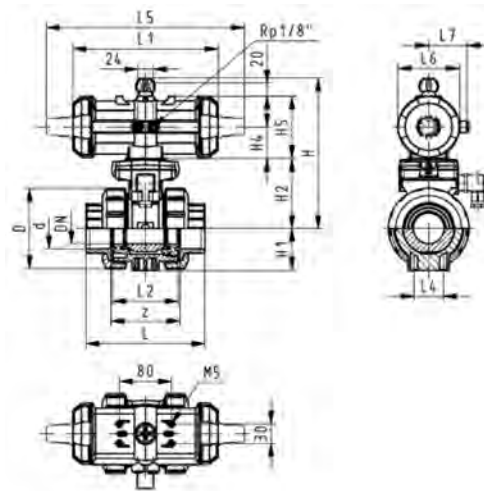
- Material: PVDF
- Built on with pneumatic actuator PA11 (DN10/15-25), PA21 (DN32-50)
- Control time 90° < 1-2s
- For easy installation and removal
- Integrated stainless steel mounting inserts

**Option:**

- Individual configuration of the valve (see diagram)

Size (inch)	DN (mm)	PN (bar)	kv-value ( $\Delta p=1$ bar) (L/min)	FPM Code	Weight (kg)
3/8	10	10	70	199 232 612	1.500
1/2	15	10	185	199 232 613	1.500
3/4	20	10	350	199 232 614	1.600
1	25	10	700	199 232 615	1.700
1 1/4	32	10	1000	199 232 616	2.800
1 1/2	40	10	1600	199 232 617	3.100
2	50	10	3100	199 232 618	4.000

Size (inch)	D (mm)	H (mm)	H1 (mm)	H2 (mm)	H4 (mm)	H5 (mm)	L (mm)	L1 (mm)	L2 (mm)	L4 (mm)	L5 (mm)	L6 (mm)	L7 (mm)	z (mm)
3/8	50	159	27	62	40	77	96	194	56	25	261	76	48	69
1/2	50	159	27	62	40	77	99	194	56	25	261	76	48	64
3/4	58	168	30	71	40	77	111	194	65	25	261	76	48	76
1	68	168	36	71	40	77	127	194	71	25	261	76	48	83
1 1/4	84	202	44	84	51	99	146	224	85	45	305	95	59	101
1 1/2	97	202	51	84	51	99	157	224	89	45	305	95	59	111
2	124	225	64	106	51	99	183	224	101	45	305	95	59	135





DN10/15 - 50

**SYGEF Standard**  
**Ball valve type 232**  
**Function DA (Double acting)**  
**Without manual override**  
**With fixed flanges PVDF serrated metric**

**Model:**

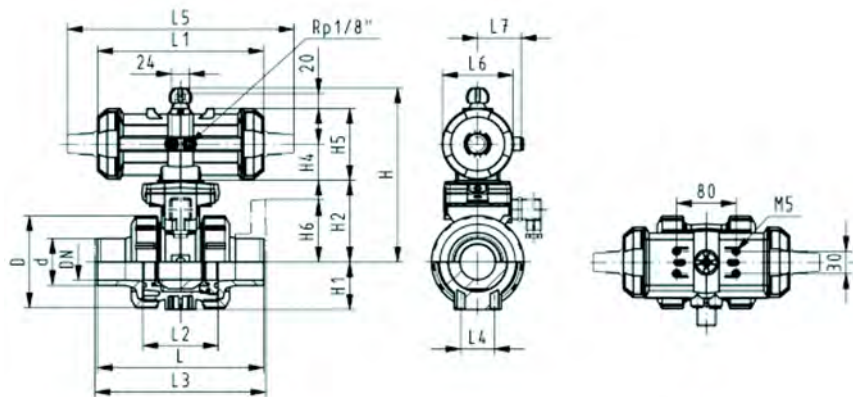
- Material: PVDF
- Built on with pneumatic actuator PA11 (DN10/15-25), PA21 (DN32-50)
- Control time 90°<) 1-2s
- For easy installation and removal
- Integrated stainless steel mounting inserts
- Overall length EN 558
- Connecting dimension: ISO 7005 / EN 1092 / DIN 25 PN10 / BS4504

**Option:**

- Individual configuration of the valve (see diagram)

d (mm)	DN (mm)	Size (inch)	PN (bar)	kv-value ( $\Delta p=1$ bar) (l/min)	FPM Code	Weight (kg)
20	15	½	10	185	<b>199 232 103</b>	1.400
25	20	¾	10	350	<b>199 232 104</b>	1.600
32	25	1	10	700	<b>199 232 105</b>	1.800
40	32	1 ¼	10	1000	<b>199 232 106</b>	3.100
50	40	1 ½	10	1600	<b>199 232 107</b>	3.600
63	50	2	10	3100	<b>199 232 108</b>	4.700

d (mm)	D (mm)	H (mm)	H1 (mm)	H2 (mm)	H4 (mm)	H5 (mm)	H6 (mm)	L (mm)	L1 (mm)	L2 (mm)	L3 (mm)	L4 (mm)	L5 (mm)	L6 (mm)	L7 (mm)
20	50	159	27	62	40	77	48	124	194	56	130	25	261	76	48
25	58	168	30	71	40	77	53	144	194	65	150	25	261	76	48
32	68	168	36	71	40	77	58	154	194	71	160	25	261	76	48
40	84	202	44	84	51	99	70	174	224	85	180	45	305	95	59
50	97	202	51	84	51	99	75	194	224	89	200	45	305	95	59
63	124	225	64	106	51	99	83	224	224	101	230	45	305	95	59





**SYGEF Standard**  
**Ball valve type 232**  
**Function DA (Double acting)**  
**Without manual override**  
**With backing flanges PP-st metric**

**Model:**

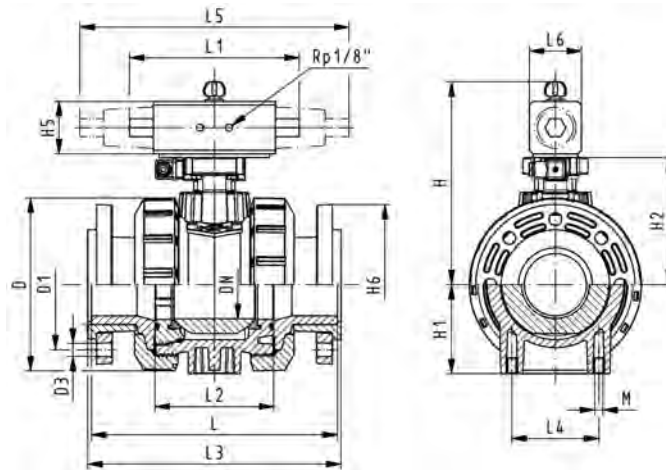
- Material: PVDF
- Control time 90°<) 1-2s
- Assignment of actuators: PA11 (DN10/15-25), PA21 (DN32-50), PA35 (DN65), PA40 (DN80), PA45 (DN100)
- For easy installation and removal
- Integrated stainless steel mounting inserts
- Overall length according to EN 558
- Connecting dimension: ISO 7005, EN 1092, BS 4504, DIN 2501

**Option:**

- Individual configuration of the valve (see diagram)

d (mm)	DN (mm)	Size (inch)	PN (bar)	kv-value ( $\Delta p=1$ bar) (L/min)	FPM Code	Weight (kg)
75	65	2 ½	10	5000	<b>199 232 949</b>	13.400
90	80	3	10	7000	<b>199 232 950</b>	18.200
110	100	4	10	11000	<b>199 232 951</b>	26.000

d (mm)	D (mm)	H (mm)	H1 (mm)	H2 (mm)	H5 (mm)	H6 (mm)	L (mm)	L1 (mm)	L2 (mm)	L3 (mm)	L4 (mm)	L6 (mm)
75	166	257	85	156	66	93	280	144	136	290	70	60
90	200	274	105	168	70	100	296	152	141	310	70	65
110	238	273	123	175	78	110	336	169	164	350	120	72







**SYGEF Standard**  
**Ball valve type 232**  
**Function DA (Double acting)**  
**Without manual override**  
**With backing flanges PP-st Inch ANSI**

**Model:**

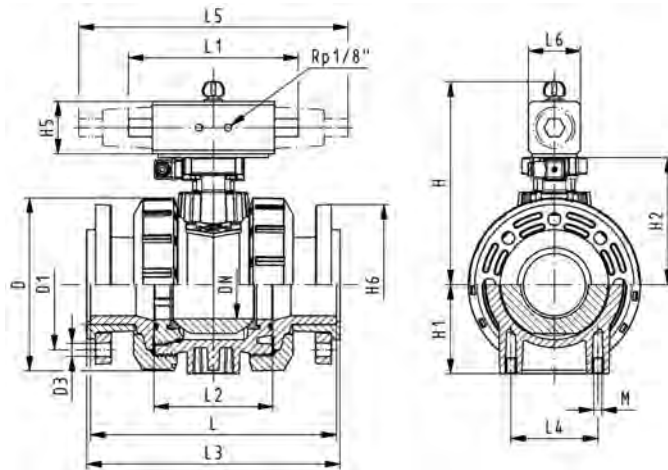
- Material: PVDF
- Control time 90° < 1-2s
- Assignment of actuators: PA11 (DN10/15-25), PA21 (DN32-50), PA35 (DN65), PA40 (DN80), PA45 (DN100)
- For easy installation and removal
- Integrated stainless steel mounting inserts
- Overall length according to EN 558
- Connecting dimension ANSI/ASME B 16.5 / ASTM D 4024

**Option:**

- Individual configuration of the valve (see diagram)

d	Size	DN	PN	kv-value	FPM	Weight
(mm)	(inch)	(mm)	(bar)	( $\Delta p=1$ bar)	Code	(kg)
				(L/min)		
75	2 ½	65	10	5000	<b>199 232 979</b>	13.400
90	3	80	10	7000	<b>199 232 980</b>	18.200
110	4	100	10	11000	<b>199 232 981</b>	26.000

d	D	H	H1	H2	H5	H6	L	L1	L2	L3	L4	L6
(mm)	(mm)	(mm)	(mm)	(mm)	(mm)	(mm)	(mm)	(mm)	(mm)	(mm)	(mm)	(mm)
75	166	257	85	156	66	93	280	144	136	290	70	60
90	200	274	105	168	70	100	296	152	141	310	70	65
110	238	273	123	175	78	115	336	169	164	350	120	72





DN10/15 - 50



**SYGEF Standard**  
**Ball valve type 232**  
**Function DA (Double acting)**  
**Without manual override**  
**With butt fusion spigots IR-Plus metric**

**Model:**

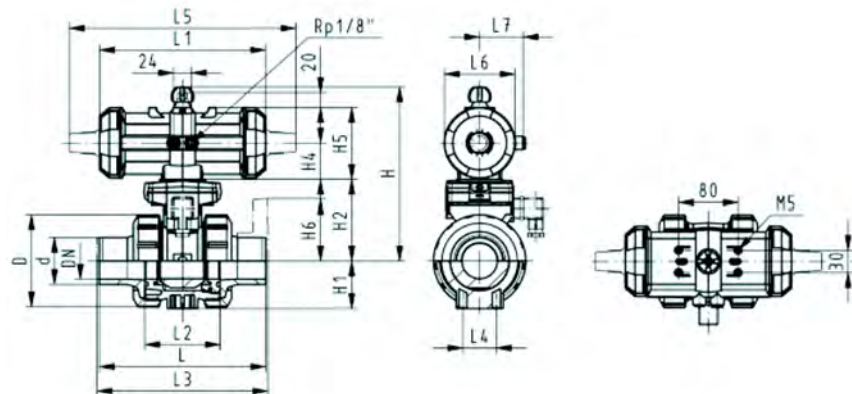
- Material: PVDF
- Control time 90°<) 1-2s
- Assignment of actuators: PA11 (DN10/15-25), PA21 (DN32-50), PA35 (DN65), PA40 (DN80), PA45 (DN100)
- For easy installation and removal
- Integrated stainless steel mounting inserts

**Option:**

- Individual configuration of the valve (see diagram)

d (mm)	DN (mm)	PN (bar)	kv-value ( $\Delta p=1$ bar) (l/min)	FPM Code	Weight (kg)
20	15	10	185	<b>199 232 913</b>	1.200
25	20	10	350	<b>199 232 914</b>	1.300
32	25	10	700	<b>199 232 915</b>	1.400
40	32	10	1000	<b>199 232 916</b>	2.500
50	40	10	1600	<b>199 232 917</b>	2.800
63	50	10	3100	<b>199 232 918</b>	3.700
75	65	10	5000	<b>199 232 919</b>	8.300
90	80	10	7000	<b>199 232 920</b>	11.900
110	100	10	11000	<b>199 232 921</b>	17.300

d (mm)	D (mm)	H (mm)	H1 (mm)	H2 (mm)	H4 (mm)	H5 (mm)	L (mm)	L1 (mm)	L2 (mm)	L4 (mm)	L5 (mm)	L6 (mm)	L7 (mm)	e (mm)
20	50	159	27	62	40	77	130	194	56	25	261	76	48	2
25	58	168	30	71	40	77	130	194	65	25	261	76	48	2
32	68	168	36	71	40	77	130	194	71	25	261	76	48	2
40	84	202	44	84	51	99	130	224	85	45	305	95	59	2
50	97	202	51	84	51	99	130	224	89	45	305	95	59	3
63	124	225	64	106	51	99	130	224	101	45	305	95	59	3
75	166	257	85	156		66	266	144	136	70		60		4
90	200	274	105	168		70	264	152	141	70		65		4
110	238	273	123	175		78	301	169	164	120		72		5





DN10/15 - 50

**SYGEF Standard**  
**Ball valve type 232**  
**Function DA (Double acting)**  
**Without manual override**  
**With socket fusion spigots metric**

**Model:**

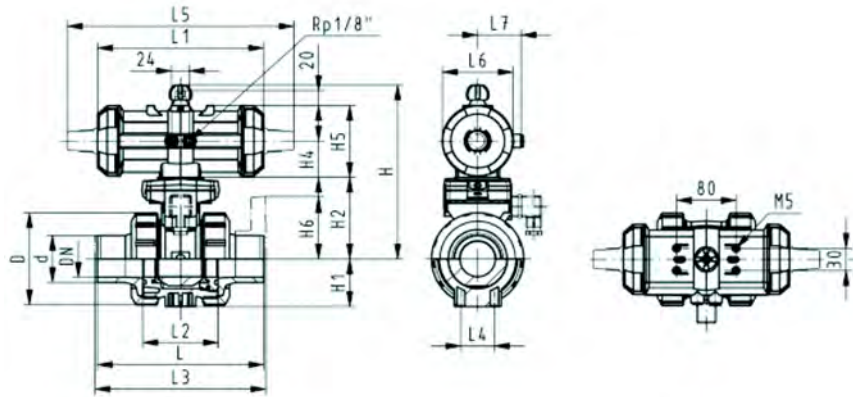
- Material: PVDF
- Built on with pneumatic actuator PA11 (DN10/15-25), PA21 (DN32-50)
- Control time 90°(<) 1-2s
- For easy installation and removal
- Integrated stainless steel mounting inserts

**Option:**

- Individual configuration of the valve (see diagram)

d (mm)	DN (mm)	PN (bar)	kv-value ( $\Delta p=1$ bar) (L/min)	FPM Code	Weight (kg)
16	10	10	70	<b>199 232 232</b>	1.200
20	15	10	185	<b>199 232 233</b>	1.200
25	20	10	350	<b>199 232 234</b>	1.300
32	25	10	700	<b>199 232 235</b>	1.400
40	32	10	1000	<b>199 232 236</b>	2.500
50	40	10	1600	<b>199 232 237</b>	2.800
63	50	10	3100	<b>199 232 238</b>	3.700

d (mm)	D (mm)	H (mm)	H1 (mm)	H2 (mm)	H4 (mm)	H5 (mm)	L (mm)	L1 (mm)	L2 (mm)	L3 (mm)	L4 (mm)	L5 (mm)	L6 (mm)	L7 (mm)	closest inch (inch)
16	50	159	27	62	40	77	114	194	56	130	25	261	76	48	$\frac{3}{8}$
20	50	159	27	62	40	77	124	194	56	130	25	261	76	48	$\frac{1}{2}$
25	58	168	30	71	40	77	144	194	65	150	25	261	76	48	$\frac{3}{4}$
32	68	168	36	71	40	77	154	194	71	160	25	261	76	48	1
40	84	202	44	84	51	99	174	224	85	180	45	305	95	59	1 $\frac{1}{4}$
50	97	202	51	84	51	99	194	224	89	200	45	305	95	59	1 $\frac{1}{2}$
63	124	225	64	106	51	99	224	224	101	230	45	305	95	59	2





DN10/15 - 50

**SYGEF Standard**  
**Ball valve type 232**  
**Function DA (Double acting)**  
**Without manual override**  
**With fusion sockets metric**

**Model:**

- Material: PVDF
- Control time 90°<) 1-2s
- Assignment of actuators: PA11 (DN10/15-25), PA21 (DN32-50), PA35 (DN65), PA40 (DN80), PA45 (DN100)
- For easy installation and removal
- Integrated stainless steel mounting inserts

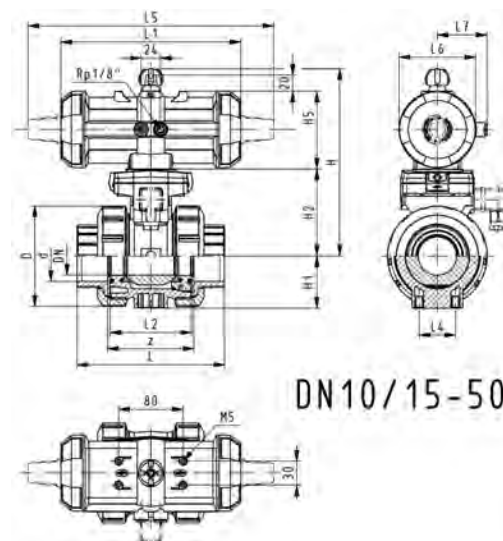
**Option:**

- Individual configuration of the valve (see diagram)

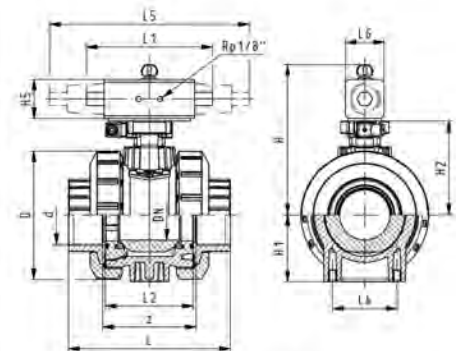


d (mm)	DN (mm)	PN (bar)	kv-value ( $\Delta p=1$ bar) (l/min)	FPM Code	Weight (kg)
16	10	10	70	199 232 212	1.200
20	15	10	185	199 232 213	1.200
25	20	10	350	199 232 214	1.300
32	25	10	700	199 232 215	1.096
40	32	10	1000	199 232 216	1.845
50	40	10	1600	199 232 217	2.800
63	50	10	3100	199 232 218	3.700
75	65	10	5000	199 232 219	8.000
90	80	10	7000	199 232 220	11.600
110	100	10	11000	199 232 221	17.100

d (mm)	D (mm)	H (mm)	H1 (mm)	H2 (mm)	H4 (mm)	H5 (mm)	L (mm)	L1 (mm)	L2 (mm)	L4 (mm)	L5 (mm)	L6 (mm)	L7 (mm)	z (mm)
16	50	159	27	62	40	77	93	194	56	25	261	76	48	67
20	50	159	27	62	40	77	95	194	56	25	261	76	48	66
25	58	168	30	71	40	77	109	194	65	25	261	76	48	77
32	68	168	36	71	40	77	119	194	71	25	261	76	48	83
40	84	202	44	84	51	99	135	224	85	45	305	95	59	99
50	97	202	51	84	51	99	147	224	89	45	305	95	59	105
63	124	225	64	106	51	99	168	224	101	45	305	95	59	117
75	166	257	85	156		66	233	144	136	70		60		167
90	200	274	105	168		70	254	152	141	70		65		180
110	238	273	123	175		78	301	169	164	120		72		215



DN10/15-50



DN65-100



DN10/15 - 50

**SYGEF Standard**  
**Ball valve type 232**  
**Function FO (Fail safe to open)**  
**Without manual override**  
**With fixed flanges PVDF serrated metric**

**Model:**

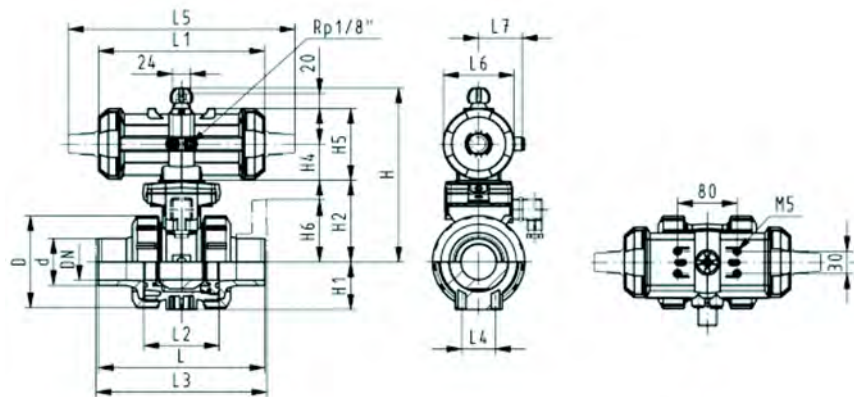
- Material: PVDF
- Built on with pneumatic actuator PA11 (DN10/15-25), PA21 (DN32-50)
- Control time 90°<) 1-2s
- For easy installation and removal
- Integrated stainless steel mounting inserts
- Overall length EN 558
- Connecting dimension: ISO 7005 / EN 1092 / DIN 25 PN10 / BS4504

**Option:**

- Individual configuration of the valve (see diagram)

d (mm)	DN (mm)	Size (inch)	PN (bar)	kv-value ( $\Delta p=1$ bar) (l/min)	FPM Code	Weight (kg)
20	15	½	10	185	<b>199 232 083</b>	1.400
25	20	¾	10	350	<b>199 232 084</b>	1.600
32	25	1	10	700	<b>199 232 085</b>	1.800
40	32	1 ¼	10	1000	<b>199 232 086</b>	3.100
50	40	1 ½	10	1600	<b>199 232 087</b>	3.600
63	50	2	10	3100	<b>199 232 088</b>	4.697

D (mm)	H (mm)	H1 (mm)	H2 (mm)	H4 (mm)	H5 (mm)	H6 (mm)	L (mm)	L1 (mm)	L2 (mm)	L3 (mm)	L4 (mm)	L5 (mm)	L6 (mm)	L7 (mm)
50	159	27	62	40	77	48	124	194	56	130	25	261	76	48
58	168	30	71	40	77	53	144	194	65	150	25	261	76	48
68	168	36	71	40	77	58	154	194	71	160	25	261	76	48
84	202	44	84	51	99	70	174	224	85	180	45	305	95	59
97	202	51	84	51	99	75	194	224	89	200	45	305	95	59
124	225	64	106	51	99	83	224	224	101	230	45	305	95	59





**SYGEF Standard**  
**Ball valve type 232**  
**Function FO (Fail safe to open)**  
**Without manual override**  
**With backing flanges PP-st Inch ANSI**

**Model:**

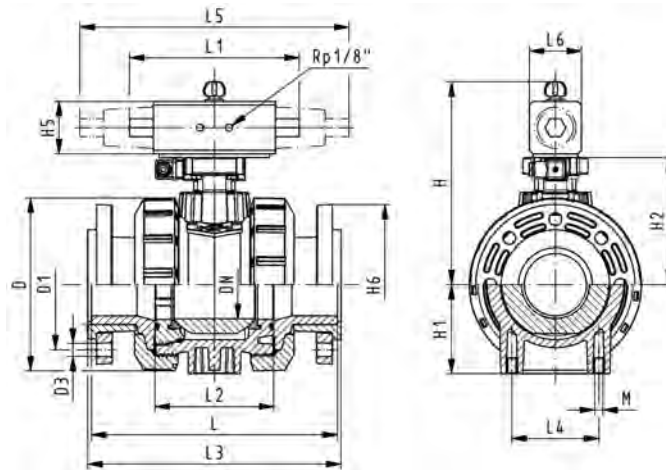
- Material: PVDF
- Control time 90°<) 1-2s
- Assignment of actuators: PA11 (DN10/15-25), PA21 (DN32-50), PA30 (DN65), PA40 (DN80), PA40 (DN100)
- For easy installation and removal
- Integrated stainless steel mounting inserts
- Overall length according to EN 558
- Connecting dimension ANSI/ASME B 16.5 / ASTM D 4024

**Option:**

- Individual configuration of the valve (see diagram)

d (mm)	Size (inch)	DN (mm)	PN (bar)	kv-value ( $\Delta p=1$ bar) (L/min)	FPM Code	Weight (kg)
75	2 1/2	65	10	5000	<b>199 232 969</b>	14.500
90	3	80	10	7000	<b>199 232 970</b>	18.900
110	4	100	10	11000	<b>199 232 971</b>	27.700

d (mm)	D (mm)	H (mm)	H1 (mm)	H2 (mm)	H5 (mm)	H6 (mm)	L (mm)	L2 (mm)	L3 (mm)	L4 (mm)	L5 (mm)	L6 (mm)
75	166	262	85	156	70	93	280	136	290	70	276	65
90	200	281	105	168	78	100	296	141	310	70	341	72
110	238	292	123	175	86	115	336	164	350	120	369	80







**SYGEF Standard**  
**Ball valve type 232**  
**Function FO (Fail safe to open)**  
**Without manual override**  
**With backing flanges PP-st metric**

**Model:**

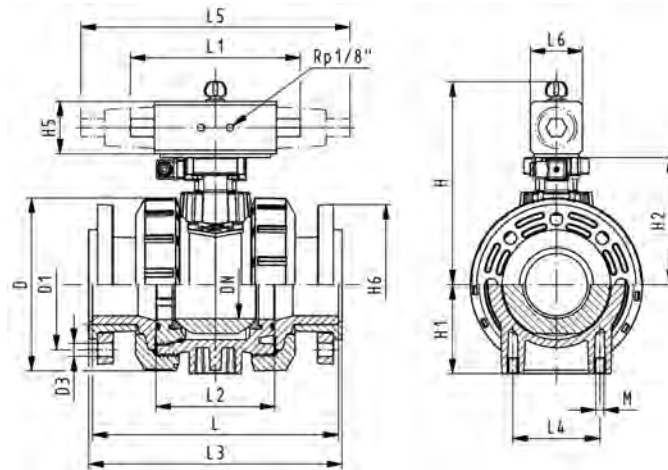
- Material: PVDF
- Control time 90°<) 1-2s
- Assignment of actuators: PA11 (DN10/15-25), PA21 (DN32-50), PA30 (DN65), PA40 (DN80), PA40 (DN100)
- For easy installation and removal
- Integrated stainless steel mounting inserts
- Overall length according to EN 558
- Connecting dimension: ISO 7005, EN 1092, BS 4504, DIN 2501

**Option:**

- Individual configuration of the valve (see diagram)

d	Size	DN	PN	kv-value	FPM	Weight
(mm)	(inch)	(mm)	(bar)	( $\Delta p=1$ bar)	Code	(kg)
				(L/min)		
75	2 ½	65	10	5000	<b>199 232 939</b>	14.500
90	3	80	10	7000	<b>199 232 940</b>	18.900
110	4	100	10	11000	<b>199 232 941</b>	27.700

d	D	H	H1	H2	H5	H6	L	L2	L3	L4	L5	L6
(mm)	(mm)	(mm)	(mm)	(mm)	(mm)	(mm)	(mm)	(mm)	(mm)	(mm)	(mm)	(mm)
75	166	262	85	156	70	93	280	136	290	70	276	65
90	200	281	105	168	78	100	296	141	310	70	341	72
110	238	292	123	175	86	110	336	164	350	120	369	80





DN10/15 - 50



**SYGEF Standard**  
**Ball valve type 232**  
**Function FO (Fail safe to open)**  
**Without manual override**  
**With butt fusion spigots IR-Plus metric**

**Model:**

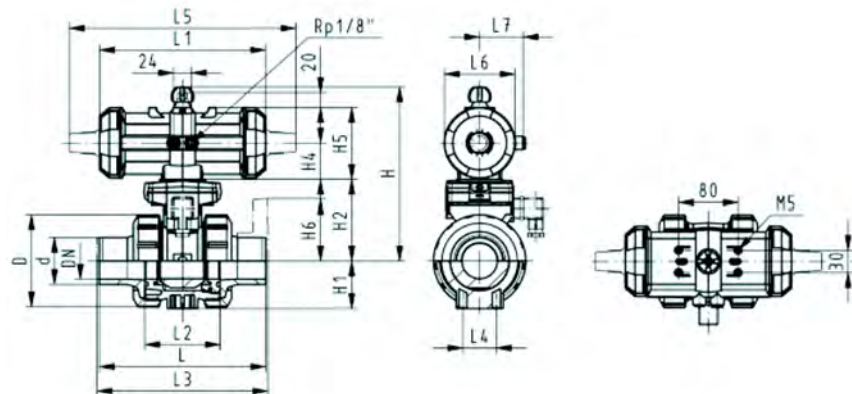
- Material: PVDF
- Control time 90°<) 1-2s
- Assignment of actuators: PA11 (DN10/15-25), PA21 (DN32-50), PA30 (DN65), PA40 (DN80), PA40 (DN100)
- For easy installation and removal
- Integrated stainless steel mounting inserts

**Option:**

- Individual configuration of the valve (see diagram)

d (mm)	DN (mm)	PN (bar)	kv-value ( $\Delta p=1$ bar) (l/min)	FPM Code	Weight (kg)
20	15	10	185	<b>199 232 873</b>	1.200
25	20	10	350	<b>199 232 874</b>	1.198
32	25	10	700	<b>199 232 875</b>	1.335
40	32	10	1000	<b>199 232 876</b>	2.351
50	40	10	1600	<b>199 232 877</b>	2.800
63	50	10	3100	<b>199 232 878</b>	3.568
75	65	10	5000	<b>199 232 879</b>	9.500
90	80	10	7000	<b>199 232 880</b>	12.600
110	100	10	11000	<b>199 232 881</b>	19.100

d (mm)	D (mm)	H (mm)	H1 (mm)	H2 (mm)	H4 (mm)	H5 (mm)	L (mm)	L1 (mm)	L2 (mm)	L4 (mm)	L5 (mm)	L6 (mm)	L7 (mm)	e (mm)
20	50	159	27	62	40	77	130	194	56	25	261	76	48	2
25	58	168	30	71	40	77	130	194	65	25	261	76	48	2
32	68	168	36	71	40	77	130	194	71	25	261	76	48	2
40	84	202	44	84	51	99	130	224	85	45	305	95	59	2
50	97	202	51	84	51	99	130	224	89	45	305	95	59	3
63	124	225	64	106	51	99	130	224	101	45	305	95	59	3
75	166	262	85	156		70	266	218	136	70	276	65		4
90	200	281	105	168		70	264	259	141	70	341	72		4
110	238	292	123	175		70	301	287	164	120	369	80		5





DN10/15 - 50

**SYGEF Standard**  
**Ball valve type 232**  
**Function FO (Fail safe to open)**  
**Without manual override**  
**With socket fusion spigots metric**

**Model:**

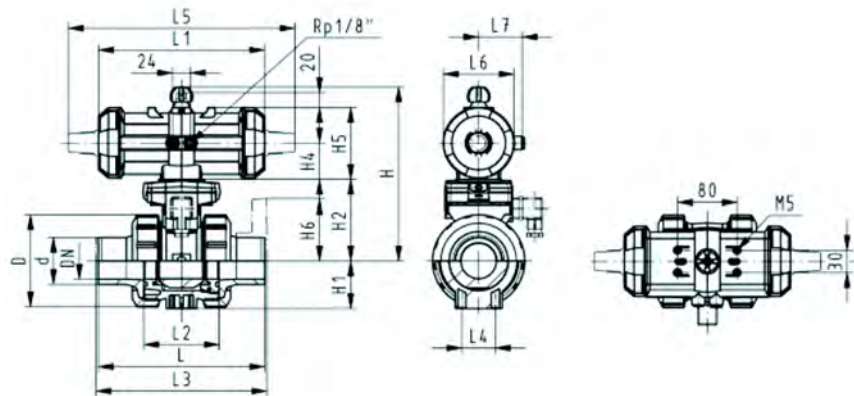
- Material: PVDF
- Built on with pneumatic actuator PA11 (DN10/15-25), PA21 (DN32-50)
- Control time 90°(<) 1-2s
- For easy installation and removal
- Integrated stainless steel mounting inserts

**Option:**

- Individual configuration of the valve (see diagram)

d (mm)	DN (mm)	PN (bar)	kv-value ( $\Delta p=1$ bar) (L/min)	FPM Code	Weight (kg)
16	10	10	70	<b>199 232 192</b>	1.200
20	15	10	185	<b>199 232 193</b>	1.200
25	20	10	350	<b>199 232 194</b>	1.300
32	25	10	700	<b>199 232 195</b>	1.400
40	32	10	1000	<b>199 232 196</b>	2.500
50	40	10	1600	<b>199 232 197</b>	2.800
63	50	10	3100	<b>199 232 198</b>	3.603

d (mm)	D (mm)	H (mm)	H1 (mm)	H2 (mm)	H4 (mm)	H5 (mm)	L (mm)	L1 (mm)	L2 (mm)	L3 (mm)	L4 (mm)	L5 (mm)	L6 (mm)	L7 (mm)	closest inch (inch)
16	50	159	27	62	40	77	114	194	56	130	25	261	76	48	3/8
20	50	159	27	62	40	77	124	194	56	130	25	261	76	48	1/2
25	58	168	30	71	40	77	144	194	65	150	25	261	76	48	3/4
32	68	168	36	71	40	77	154	194	71	160	25	261	76	48	1
40	84	202	44	84	51	99	174	224	85	180	45	305	95	59	1 1/4
50	97	202	51	84	51	99	194	224	89	200	45	305	95	59	1 1/2
63	124	225	64	106	51	99	224	224	101	230	45	305	95	59	2





DN10/15 - 50



**SYGEF Standard**  
**Ball valve type 232**  
**Function FO (Fail safe to open)**  
**Without manual override**  
**With fusion sockets metric**

**Model:**

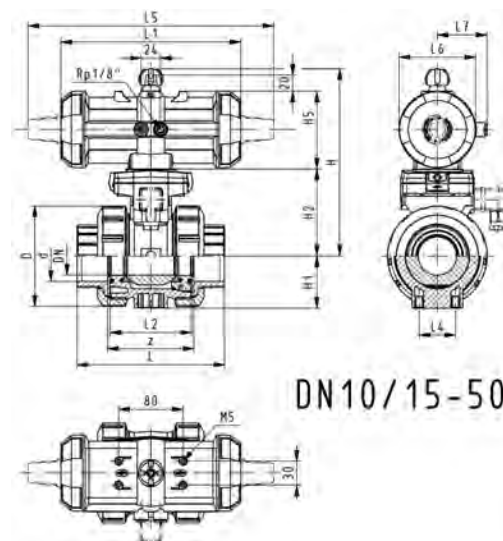
- Material: PVDF
- Control time 90°<) 1-2s
- Assignment of actuators: PA11 (DN10/15-25), PA21 (DN32-50), PA30 (DN65), PA40 (DN80), PA40 (DN100)
- For easy installation and removal
- Integrated stainless steel mounting inserts

**Option:**

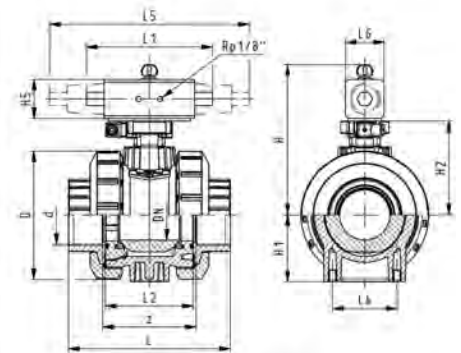
- Individual configuration of the valve (see diagram)

d (mm)	DN (mm)	PN (bar)	kv-value ( $\Delta p=1$ bar) (l/min)	FPM Code	Weight (kg)
16	10	10	70	<b>199 232 172</b>	1.200
20	15	10	185	<b>199 232 173</b>	1.200
25	20	10	350	<b>199 232 174</b>	1.300
32	25	10	700	<b>199 232 175</b>	1.400
40	32	10	1000	<b>199 232 176</b>	2.500
50	40	10	1600	<b>199 232 177</b>	2.800
63	50	10	3100	<b>199 232 178</b>	3.700
75	65	10	5000	<b>199 232 179</b>	9.200
90	80	10	7000	<b>199 232 180</b>	12.300
110	100	10	11000	<b>199 232 181</b>	18.900

d (mm)	D (mm)	H (mm)	H1 (mm)	H2 (mm)	H4 (mm)	H5 (mm)	L (mm)	L1 (mm)	L2 (mm)	L4 (mm)	L5 (mm)	L6 (mm)	L7 (mm)	z (mm)
16	50	159	27	62	40	77	93	194	56	25	261	76	48	67
20	50	159	27	62	40	77	95	194	56	25	261	76	48	66
25	58	168	30	71	40	77	109	194	65	25	261	76	48	77
32	68	168	36	71	40	77	119	194	71	25	261	76	48	83
40	84	202	44	84	51	99	135	224	85	45	305	95	59	99
50	97	202	51	84	51	99	147	224	89	45	305	95	59	105
63	124	225	64	106	51	99	168	224	101	45	305	95	59	117
75	166	262	85	156		70	233		136	70	276	65		167
90	200	281	105	168		78	254		141	70	341	72		180
110	238	292	123	175		86	301		164	120	369	80		215



DN10/15-50



DN65-100



DN10/15 - 50

**SYGEF Standard**  
**Ball valve type 232**  
**Function FC (Fail safe to close)**  
**Without manual override**  
**With fixed flanges PVDF serrated metric**

**Model:**

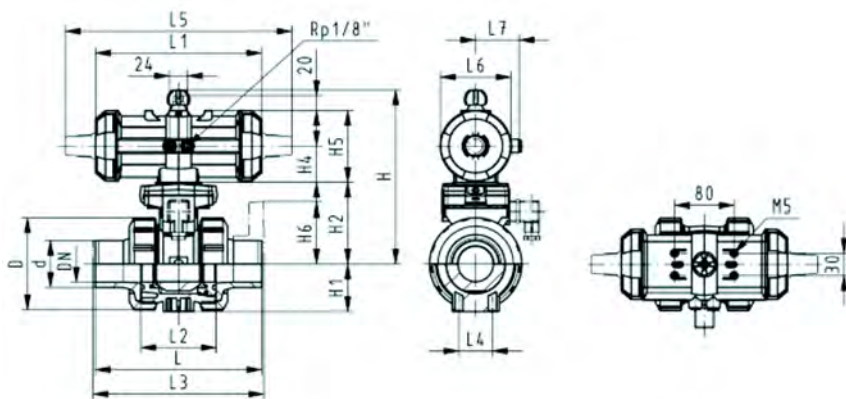
- Material: PVDF
- Built on with pneumatic actuator PA11 (DN10/15-25), PA21 (DN32-50)
- Control time 90°<) 1-2s
- For easy installation and removal
- Integrated stainless steel mounting inserts
- Overall length EN 558
- Connecting dimension: ISO 7005 / EN 1092 / DIN 25 PN10 / BS4504

**Option:**

- Individual configuration of the valve (see diagram)

d (mm)	DN (mm)	Size (inch)	PN (bar)	kv-value ( $\Delta p=1$ bar) (l/min)	FPM Code	Weight (kg)
20	15	½	10	185	<b>199 232 063</b>	1.326
25	20	¾	10	350	<b>199 232 064</b>	1.600
32	25	1	10	700	<b>199 232 065</b>	1.804
40	32	1 ¼	10	1000	<b>199 232 066</b>	3.100
50	40	1 ½	10	1600	<b>199 232 067</b>	3.600
63	50	2	10	3100	<b>199 232 068</b>	4.700

d (mm)	D (mm)	H (mm)	H1 (mm)	H2 (mm)	H4 (mm)	H5 (mm)	H6 (mm)	L (mm)	L1 (mm)	L2 (mm)	L3 (mm)	L4 (mm)	L5 (mm)	L6 (mm)	L7 (mm)
20	50	159	27	62	40	77	48	124	194	56	130	25	261	76	48
25	58	168	30	71	40	77	53	144	194	65	150	25	261	76	48
32	68	168	36	71	40	77	58	154	194	71	160	25	261	76	48
40	84	202	44	84	51	99	70	174	224	85	180	45	305	95	59
50	97	202	51	84	51	99	75	194	224	89	200	45	305	95	59
63	124	225	64	106	51	99	83	224	224	101	230	45	305	95	59





**SYGEF Standard**  
**Ball valve type 232**  
**Function FC (Fail safe to close)**  
**Without manual override**  
**With backing flanges PP-st ASTM**

**Model:**

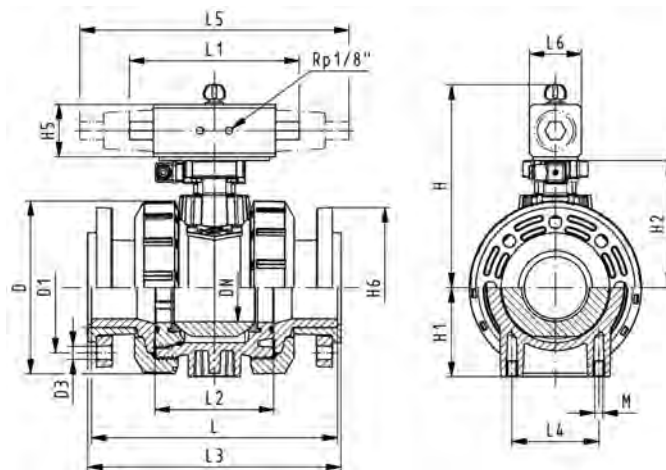
- Material: PVDF
- Control time 90°<) 1-2s
- Assignment of actuators: PA11 (DN10/15-25), PA21 (DN32-50), PA30 (DN65), PA40 (DN80), PA40 (DN100)
- For easy installation and removal
- Integrated stainless steel mounting inserts
- Overall length according to EN 558
- Connecting dimension ANSI/ASME B 16.5 / ASTM D 4024

**Option:**

- Individual configuration of the valve (see diagram)

d (mm)	Size (inch)	DN (mm)	PN (bar)	kv-value ( $\Delta p=1$ bar) (L/min)	FPM Code	Weight (kg)
75	2 1/2	65	10	5000	<b>199 232 959</b>	14.500
90	3	80	10	7000	<b>199 232 960</b>	18.900
110	4	100	10	11000	<b>199 232 961</b>	27.700

d (mm)	D (mm)	H (mm)	H1 (mm)	H2 (mm)	H5 (mm)	H6 (mm)	L (mm)	L2 (mm)	L3 (mm)	L4 (mm)	L5 (mm)	L6 (mm)
75	166	262	85	156	70	93	280	136	290	70	276	65
90	200	281	105	168	78	100	296	141	310	70	341	72
110	238	292	123	175	86	115	336	164	350	120	369	80







**SYGEF Standard**  
**Ball valve type 232**  
**Function FC (Fail safe to close)**  
**Without manual override**  
**With backing flanges PP-st metric**

**Model:**

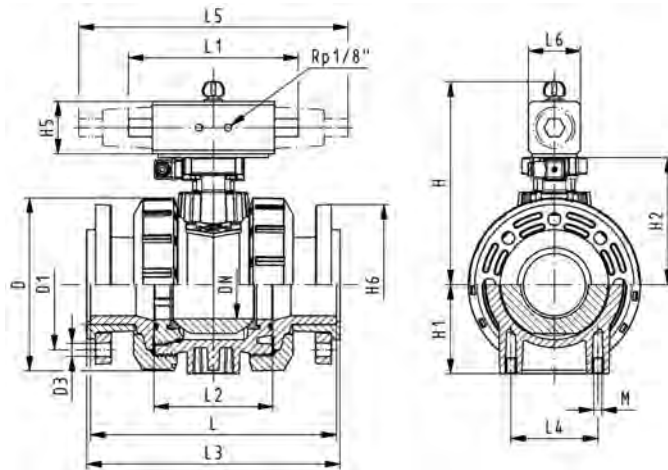
- Material: PVDF
- Control time 90°<) 1-2s
- Assignment of actuators: PA11 (DN10/15-25), PA21 (DN32-50), PA30 (DN65), PA40 (DN80), PA40 (DN100)
- For easy installation and removal
- Integrated stainless steel mounting inserts
- Overall length according to EN 558
- Connecting dimension: ISO 7005, EN 1092, BS 4504, DIN 2501

**Option:**

- Individual configuration of the valve (see diagram)

d (mm)	DN (mm)	Size (inch)	PN (bar)	kv-value ( $\Delta p=1$ bar) (L/min)	FPM Code	Weight (kg)
75	65	2 ½	10	5000	<b>199 232 929</b>	14.500
90	80	3	10	7000	<b>199 232 930</b>	18.900
110	100	4	10	11000	<b>199 232 931</b>	27.700

d (mm)	D (mm)	H (mm)	H1 (mm)	H2 (mm)	H5 (mm)	H6 (mm)	L (mm)	L2 (mm)	L3 (mm)	L4 (mm)	L5 (mm)	L6 (mm)
75	166	262	85	156	70	93	280	136	290	70	276	65
90	200	281	105	168	78	100	296	141	310	70	341	72
110	238	292	123	175	86	110	340	164	350	120	369	80





DN10/15 - 50

**SYGEF Standard**  
**Ball valve type 232**  
**Function FC (Fail safe to close)**  
**Without manual override**  
**With socket fusion spigots metric**

**Model:**

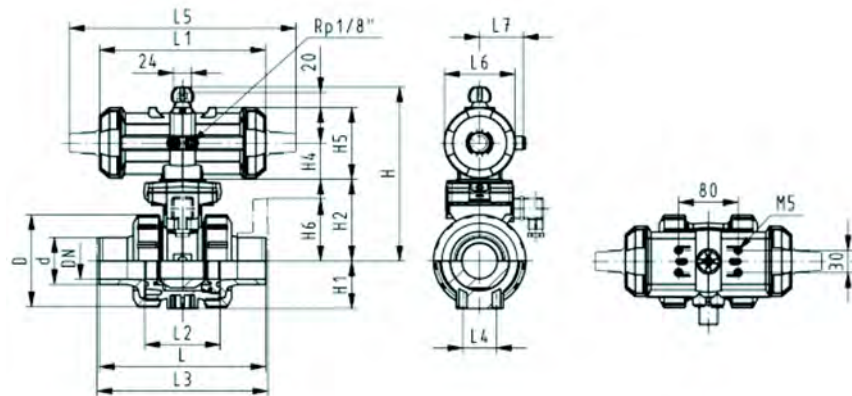
- Material: PVDF
- Built on with pneumatic actuator PA11 (DN10/15-25), PA21 (DN32-50)
- Control time 90° < 1-2s
- For easy installation and removal
- Integrated stainless steel mounting inserts

**Option:**

- Individual configuration of the valve (see diagram)

d (mm)	DN (mm)	PN (bar)	kv-value ( $\Delta p=1$ bar) (L/min)	FPM Code	Weight (kg)
16	10	10	70	199 232 152	1.200
20	15	10	185	199 232 153	1.084
25	20	10	350	199 232 154	1.300
32	25	10	700	199 232 155	1.343
40	32	10	1000	199 232 156	2.500
50	40	10	1600	199 232 157	2.800
63	50	10	3100	199 232 158	3.700

d (mm)	D (mm)	H (mm)	H1 (mm)	H2 (mm)	H4 (mm)	H5 (mm)	L (mm)	L1 (mm)	L2 (mm)	L3 (mm)	L4 (mm)	L5 (mm)	L6 (mm)	L7 (mm)	closest inch (inch)
16	50	159	27	62	40	77	114	194	56	130	25	261	76	48	3/8
20	50	159	27	62	40	77	124	194	56	130	25	261	76	48	1/2
25	58	168	30	71	40	77	144	194	65	150	25	261	76	48	3/4
32	68	168	36	71	40	77	154	194	71	160	25	261	76	48	1
40	84	202	44	84	51	99	174	224	85	180	45	305	95	59	1 1/4
50	97	202	51	84	51	99	194	224	89	200	45	305	95	59	1 1/2
63	124	225	64	106	51	99	224	224	101	230	45	305	95	59	2





DN10/15 - 50



**SYGEF Standard**  
**Ball valve type 232**  
**Function FC (Fail safe to close)**  
**Without manual override**  
**With butt fusion spigots IR-Plus metric**

**Model:**

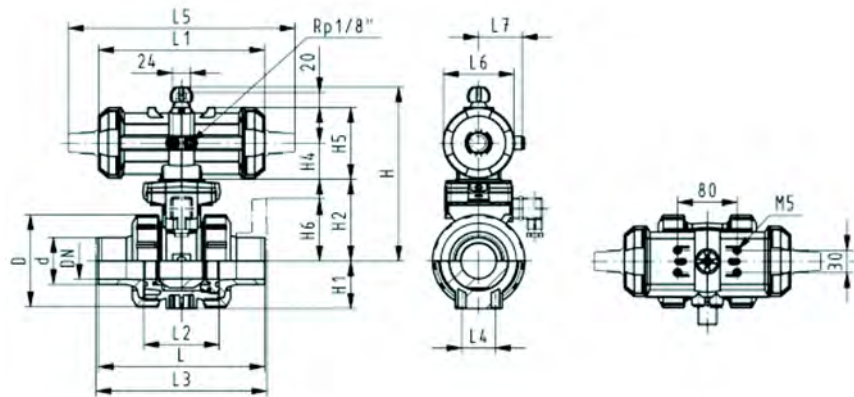
- Material: PVDF
- Control time 90°<) 1-2s
- Assignment of actuators: PA11 (DN10/15-25), PA21 (DN32-50), PA30 (DN65), PA40 (DN80), PA40 (DN100)
- For easy installation and removal
- Integrated stainless steel mounting inserts

**Option:**

- Individual configuration of the valve (see diagram)

d (mm)	DN (mm)	PN (bar)	kv-value ( $\Delta p=1$ bar) (l/min)	FPM Code	Weight (kg)
20	15	10	185	<b>199 232 833</b>	1.083
25	20	10	350	<b>199 232 834</b>	1.191
32	25	10	700	<b>199 232 835</b>	1.330
40	32	10	1000	<b>199 232 836</b>	2.350
50	40	10	1600	<b>199 232 837</b>	2.639
63	50	10	3100	<b>199 232 838</b>	4.219
75	65	10	5000	<b>199 232 839</b>	9.500
90	80	10	7000	<b>199 232 840</b>	12.600
110	100	10	11000	<b>199 232 841</b>	19.100

D (mm)	H (mm)	H1 (mm)	H2 (mm)	H4 (mm)	H5 (mm)	L (mm)	L1 (mm)	L2 (mm)	L4 (mm)	L5 (mm)	L6 (mm)	L7 (mm)	e (mm)
50	159	27	62	40	77	130	194	56	25	261	76	48	2
58	168	30	71	40	77	130	194	65	25	261	76	48	2
68	168	36	71	40	77	130	194	71	25	261	76	48	2
84	202	44	84	51	99	130	224	85	45	305	95	59	2
97	202	51	84	51	99	130	224	89	45	305	95	59	3
124	225	64	106	51	99	130	224	101	45	305	95	59	3
166	262	85	156		70	266	270	136	70	276	65		4
200	281	105	168		78	264	270	141	70	341	72		4
238	292	123	175		86	301	320	164	120	369	80		5





DN10/15 - 50



**SYGEF Standard**  
**Ball valve type 232**  
**Function FC (Fail safe to close)**  
**Without manual override**  
**With fusion sockets metric**

**Model:**

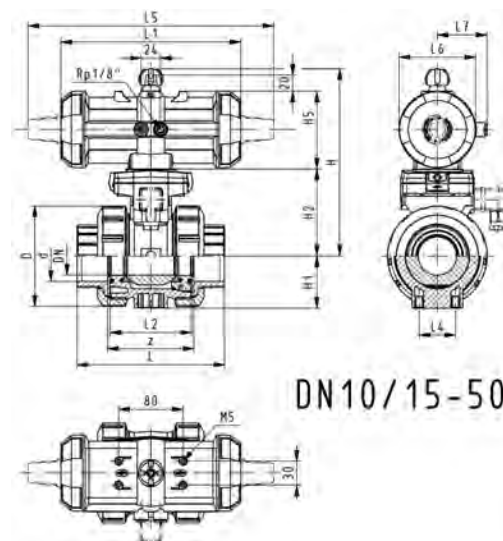
- Material: PVDF
- Control time 90°<) 1-2s
- Assignment of actuators: PA11 (DN10/15-25), PA21 (DN32-50), PA30 (DN65), PA40 (DN80), PA40 (DN100)
- For easy installation and removal
- Integrated stainless steel mounting inserts

**Option:**

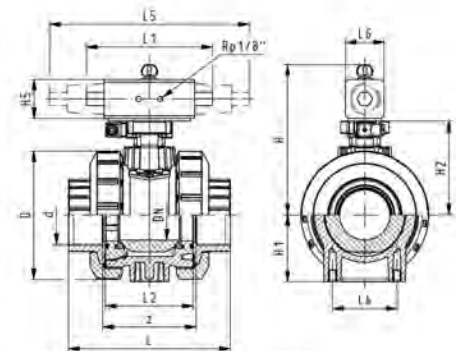
- Individual configuration of the valve (see diagram)

d (mm)	DN (mm)	PN (bar)	kv-value ( $\Delta p=1$ bar) (l/min)	FPM Code	Weight (kg)
16	10	10	70	<b>199 232 132</b>	1.200
20	15	10	185	<b>199 232 133</b>	1.079
25	20	10	350	<b>199 232 134</b>	1.300
32	25	10	700	<b>199 232 135</b>	1.322
40	32	10	1000	<b>199 232 136</b>	2.500
50	40	10	1600	<b>199 232 137</b>	3.216
63	50	10	3100	<b>199 232 138</b>	3.473
75	65	10	5000	<b>199 232 139</b>	9.200
90	80	10	7000	<b>199 232 140</b>	12.300
110	100	10	11000	<b>199 232 141</b>	18.900

d (mm)	D (mm)	H (mm)	H1 (mm)	H2 (mm)	H4 (mm)	H5 (mm)	L (mm)	L1 (mm)	L2 (mm)	L4 (mm)	L5 (mm)	L6 (mm)	L7 (mm)	z (mm)
16	50	159	27	62	40	77	93	194	56	25	261	76	48	67
20	50	159	27	62	40	77	95	194	56	25	261	76	48	66
25	58	168	30	71	40	77	109	194	65	25	261	76	48	77
32	68	168	36	71	40	77	119	194	71	25	261	76	48	83
40	84	202	44	84	51	99	135	224	85	45	305	95	59	99
50	97	202	51	84	51	99	147	224	89	45	305	95	59	105
63	124	225	64	106	51	99	168	224	101	45	305	95	59	117
75	166	262	85	156		70	233		136	70	276	65		167
90	200	281	105	168		78	254		141	70	341	72		180
110	238	292	123	175		86	301		164	120	369	80		215



DN10/15-50



DN65-100



DN10/15 - 50

**SYGEF Standard**  
**Ball valve type 232**  
**Function DA (Double acting)**  
**With manual override**  
**With fixed flanges PVDF serrated metric**

**Model:**

- Material: PVDF
- Built on with pneumatic actuator PA11 (DN10/15-25), PA21 (DN32-50)
- Control time 90°(<) 1-2s
- For easy installation and removal
- Integrated stainless steel mounting inserts
- Overall length EN 558
- Connecting dimension: ISO 7005 / EN 1092 / DIN 25 PN10 / BS4504

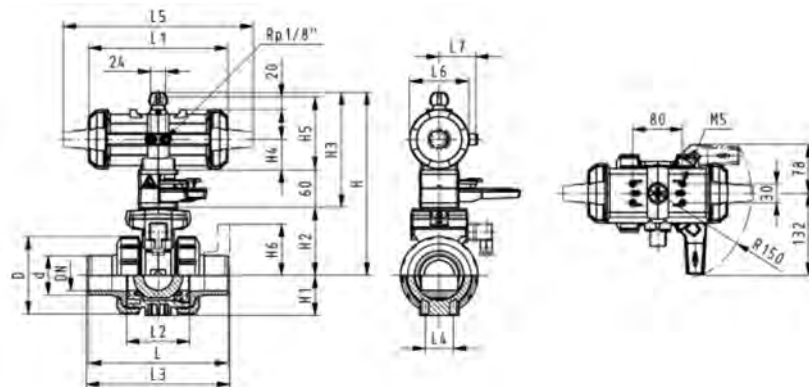
**Option:**

- Individual configuration of the valve (see diagram)

d (mm)	DN (mm)	Size (inch)	PN (bar)	kv-value ( $\Delta p=1$ bar) (l/min)	FPM Code	Weight (kg)
20	15	½	10	185	<b>199 232 043</b>	1.700
25	20	¾	10	350	<b>199 232 044</b>	1.900
32	25	1	10	700	<b>199 232 045</b>	2.100
40	32	1 ¼	10	1000	<b>199 232 046</b>	3.400
50	40	1 ½	10	1600	<b>199 232 047</b>	3.900
63	50	2	10	3100	<b>199 232 048</b>	5.000

d (mm)	D (mm)	H (mm)	H1 (mm)	H2 (mm)	H3 (mm)	H4 (mm)	H5 (mm)	H6 (mm)	L (mm)	L1 (mm)	L2 (mm)	L3 (mm)	L4 (mm)	L5 (mm)	L6 (mm)
20	50	230	27	62	168	40	77	48	124	194	56	130	25	261	76
25	58	239	30	71	168	40	77	53	144	194	65	150	25	261	76
32	68	239	36	71	168	40	77	58	154	194	71	160	25	261	76
40	84	271	44	84	187	51	99	70	174	224	85	180	45	305	95
50	97	271	51	84	187	51	99	75	194	224	89	200	45	305	95
63	124	293	64	106	187	51	99	83	224	224	101	230	45	305	95

d (mm)	L7 (mm)
20	48
25	48
32	48
40	59
50	59
63	59





DN10/15 - 50

**SYGEF Standard**  
**Ball valve type 232**  
**Function DA (Double acting)**  
**With manual override**  
**With butt fusion spigots IR-Plus metric**

**Model:**

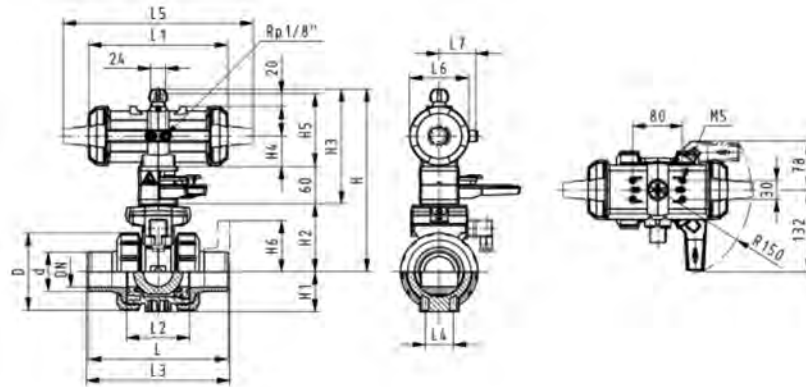
- Material: PVDF
- Built on with pneumatic actuator PA11 (DN10/15-25), PA21 (DN32-50)
- Control time 90° < 1-2s
- For easy installation and removal
- Integrated stainless steel mounting inserts

**Option:**

- Individual configuration of the valve (see diagram)

d (mm)	DN (mm)	PN (bar)	kv-value ( $\Delta p=1$ bar) (L/min)	FPM Code	Weight (kg)
20	15	10	185	199 232 793	1.200
25	20	10	350	199 232 794	1.300
32	25	10	700	199 232 795	1.400
40	32	10	1000	199 232 796	2.500
50	40	10	1600	199 232 797	2.800
63	50	10	3100	199 232 798	3.700

d (mm)	D (mm)	H (mm)	H1 (mm)	H2 (mm)	H3 (mm)	H4 (mm)	H5 (mm)	L (mm)	L1 (mm)	L2 (mm)	L4 (mm)	L5 (mm)	L6 (mm)	L7 (mm)	closest inch (inch)
20	50	230	27	62	168	40	77	130	194	56	25	261	76	48	½
25	58	239	30	71	168	40	77	130	194	65	25	261	76	48	¾
32	68	239	36	71	168	40	77	130	194	71	25	261	76	48	1
40	84	271	44	84	187	51	99	130	224	85	45	305	95	59	1 ¼
50	97	271	51	84	187	51	99	130	224	89	45	305	95	59	1 ½
63	124	293	64	106	187	51	99	130	224	101	45	305	95	59	2







DN10/15 - 50

**SYGEF Standard**  
**Ball valve type 232**  
**Function DA (Double acting)**  
**With manual override**  
**With socket fusion spigots metric**

**Model:**

- Material: PVDF
- Built on with pneumatic actuator PA11 (DN10/15-25), PA21 (DN32-50)
- Control time 90°(<) 1-2s
- For easy installation and removal
- Integrated stainless steel mounting inserts

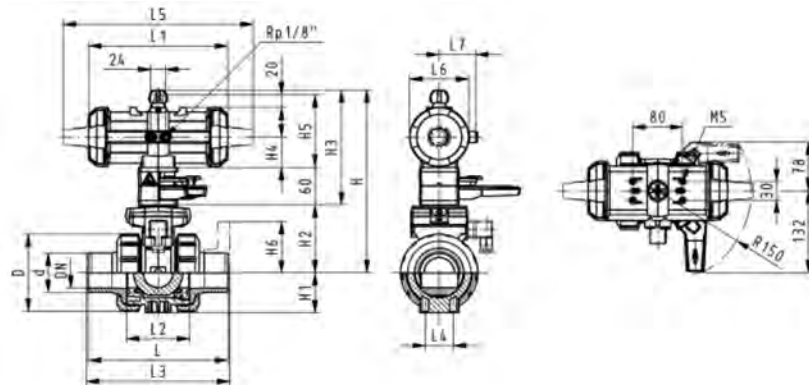
**Option:**

- Individual configuration of the valve (see diagram)

d (mm)	DN (mm)	PN (bar)	kv-value ( $\Delta p=1$ bar) (L/min)	FPM Code	Weight (kg)
16	10	10	70	199 232 112	1.500
20	15	10	185	199 232 113	1.500
25	20	10	350	199 232 114	1.600
32	25	10	700	199 232 115	1.700
40	32	10	1000	199 232 116	2.800
50	40	10	1600	199 232 117	3.100
63	50	10	3100	199 232 118	4.000

d (mm)	D (mm)	H (mm)	H1 (mm)	H2 (mm)	H3 (mm)	H4 (mm)	H5 (mm)	L (mm)	L1 (mm)	L2 (mm)	L3 (mm)	L4 (mm)	L5 (mm)	L6 (mm)	L7 (mm)
16	50	159	27	62	168	40	77	92	194	56	130	25	261	76	48
20	50	159	27	62	168	40	77	95	194	56	130	25	261	76	48
25	58	168	30	71	168	40	77	110	194	65	150	25	261	76	48
32	68	168	36	71	168	40	77	123	194	71	160	25	261	76	48
40	84	202	44	84	187	51	99	146	224	85	180	45	305	95	59
50	97	202	51	84	187	51	99	157	224	89	200	45	305	95	59
63	124	225	64	106	187	51	99	183	224	101	230	45	305	95	59

d (mm)	closest inch (inch)
16	3/8
20	1/2
25	3/4
32	1
40	1 1/4
50	1 1/2
63	2

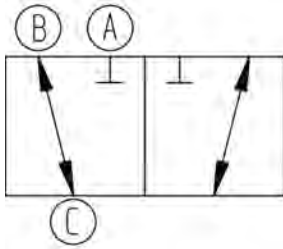
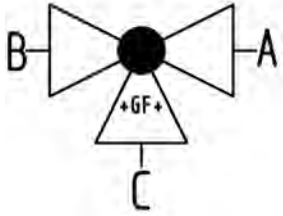




**SYGEF Standard**  
**3-Way ball valve type 287**  
**Horizontal/L-port**  
**Without manual override**  
**With threaded sockets NPT**

**Model:**

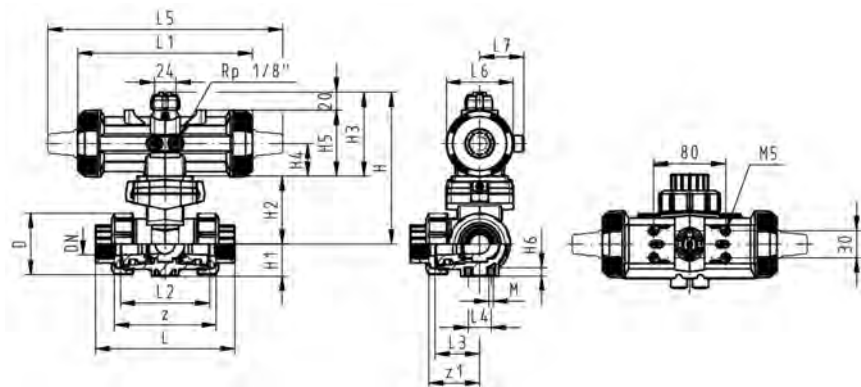
- Material: PVDF
- Built on with pneumatic actuator PA11 (DN10/15-25), PA21 (DN32-50)
- Actuator fails safe to the closed position FC
- Basic position B-C opened, activated position A-C opened, see flow scheme
- Control time 90°<) 1-3 s
- For easy installation and removal
- Integrated stainless steel mounting inserts

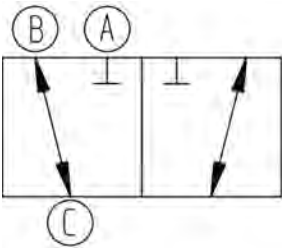
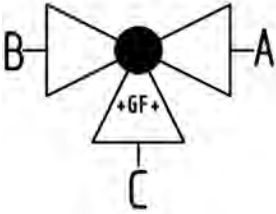


NPT (inch)	DN (mm)	PN (bar)	kv-value ( $\Delta p=1$ bar) (l/min)	FPM Code	Weight (kg)
3/8	10	10	50	<b>199 287 242</b>	1.183
1/2	15	10	75	<b>199 287 243</b>	1.179
3/4	20	10	150	<b>199 287 244</b>	1.349
1	25	10	280	<b>199 287 245</b>	1.593
1 1/4	32	10	480	<b>199 287 246</b>	2.800
1 1/2	40	10	620	<b>199 287 247</b>	3.379
2	50	10	1230	<b>199 287 248</b>	5.109

NPT (inch)	D (mm)	H (mm)	H1 (mm)	H2 (mm)	H3 (mm)	H4 (mm)	H5 (mm)	H6 (mm)	L (mm)	L1 (mm)	L2 (mm)	L3 (mm)	L4 (mm)	L5 (mm)	L6 (mm)
3/8	50	159	28	62	97	40	77	8	112	194	72	36	25	261	76
1/2	50	159	28	62	97	40	77	8	114	194	72	36	25	261	76
3/4	58	168	32	71	97	40	77	8	131	194	85	43	25	261	76
1	68	168	36	71	97	40	77	8	154	194	98	49	25	261	76
1 1/4	84	203	45	84	119	51	99	9	180	224	118	59	45	305	95
1 1/2	97	203	51	84	119	51	99	9	203	224	135	68	45	305	95
2	124	225	65	106	119	51	99	9	258	224	176	88	45	305	95

NPT (inch)	L7 (mm)	M (mm)	z (mm)	z1 (mm)
3/8	48	6	86	43
1/2	48	6	80	40
3/4	48	6	95	48
1	48	6	110	55
1 1/4	59	8	132	66
1 1/2	59	8	157	79
2	59	8	210	105





**SYGEF Standard**  
**3-Way ball valve type 287**  
**Horizontal/L-port**  
**Without manual override**  
**With butt fusion spigots IR-Plus metric**

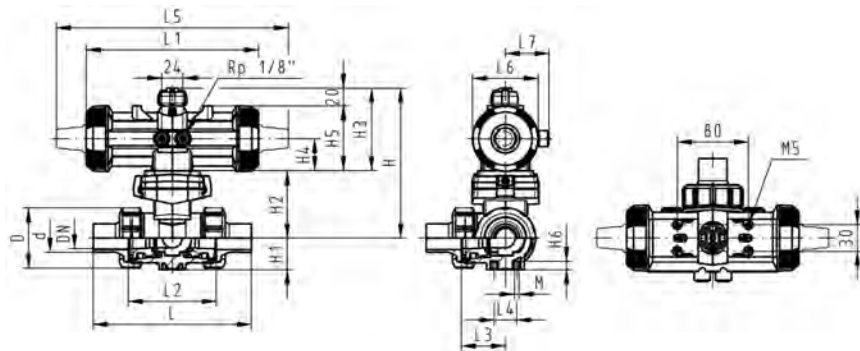
**Model:**

- Material: PVDF
- Built on with pneumatic actuator PA11 (DN10/15-25), PA21 (DN32-50)
- Actuator fails safe to the closed position FC
- Basic position B-C opened, activated position A-C opened, see flow scheme
- Control time 90° < 1-3 s
- For easy installation and removal
- Integrated stainless steel mounting inserts

d (mm)	DN (mm)	PN (bar)	kv-value (Δp=1 bar) (l/min)	FPM Code	Weight (kg)
20	15	10	75	<b>199 287 053</b>	1.666
25	20	10	150	<b>199 287 054</b>	1.369
32	25	10	280	<b>199 287 055</b>	1.623
40	32	10	480	<b>199 287 056</b>	2.710
50	40	10	620	<b>199 287 057</b>	3.294
63	50	10	1230	<b>199 287 058</b>	4.982

d (mm)	D (mm)	H (mm)	H1 (mm)	H2 (mm)	H3 (mm)	H4 (mm)	H5 (mm)	H6 (mm)	L (mm)	L1 (mm)	L2 (mm)	L3 (mm)	L4 (mm)	L5 (mm)	L6 (mm)
20	50	159	28	62	97	40	77	8	146	194	72	36	25	261	76
25	58	168	32	71	97	40	77	8	163	194	85	43	25	261	76
32	68	168	36	71	97	40	77	8	178	194	98	49	25	261	76
40	84	203	45	84	119	51	99	9	204	224	118	59	45	305	95
50	97	203	51	84	119	51	99	9	237	224	135	68	45	305	95
63	124	225	65	106	119	51	99	9	296	224	176	88	45	305	95

d (mm)	L7 (mm)	M (mm)	closest inch (inch)
20	48	6	½
25	48	6	¾
32	48	6	1
40	59	8	1 ¼
50	59	8	1 ½
63	59	8	2

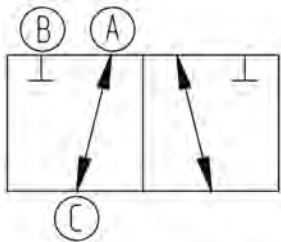
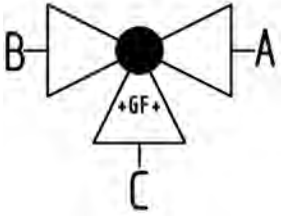




**SYGEF Standard**  
**3-Way ball valve type 287**  
**Horizontal/L-port DA (Double acting)**  
**Without manual override**  
**With threaded sockets NPT**

**Model:**

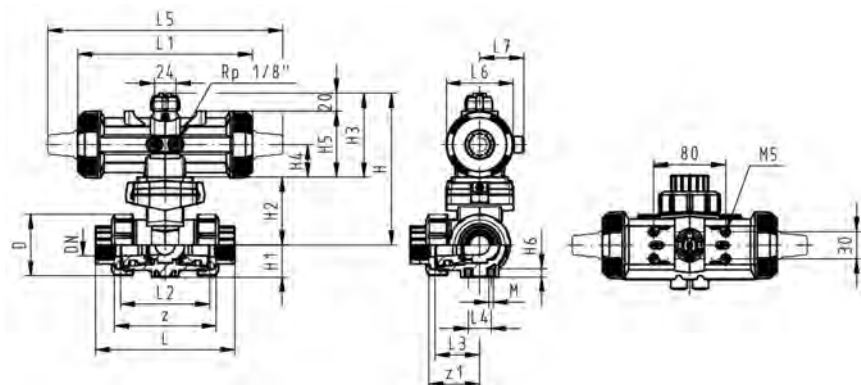
- Material: PVDF
- Built on with pneumatic actuator PA11 (DN10/15-25), PA21 (DN32-50)
- Basic position A-C opened, activated position B-C opened, see flow scheme
- Control time 90°<) 1-3 s
- For easy installation and removal
- Integrated stainless steel mounting inserts

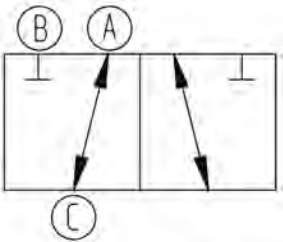
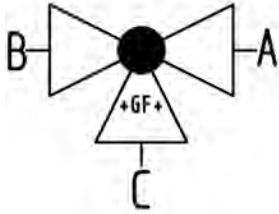


NPT (inch)	DN (mm)	PN (bar)	kv-value ( $\Delta p=1$ bar) (l/min)	FPM Code	Weight (kg)
3/8	10	10	50	<b>199 287 262</b>	0.992
1/2	15	10	75	<b>199 287 263</b>	1.001
3/4	20	10	150	<b>199 287 264</b>	1.159
1	25	10	280	<b>199 287 265</b>	1.403
1 1/4	32	10	480	<b>199 287 266</b>	2.376
1 1/2	40	10	620	<b>199 287 267</b>	2.955
2	50	10	1230	<b>199 287 268</b>	4.685

NPT (inch)	D (mm)	H (mm)	H1 (mm)	H2 (mm)	H3 (mm)	H4 (mm)	H5 (mm)	H6 (mm)	L (mm)	L1 (mm)	L2 (mm)	L3 (mm)	L4 (mm)	L5 (mm)	L6 (mm)
3/8	50	159	28	62	97	40	77	8	112	194	72	36	25	261	76
1/2	50	159	28	62	97	40	77	8	114	194	72	36	25	261	76
3/4	58	168	32	71	97	40	77	8	131	194	85	43	25	261	76
1	68	168	36	71	97	40	77	8	154	194	98	49	25	261	76
1 1/4	84	203	45	84	119	51	99	9	180	224	118	59	45	305	95
1 1/2	97	203	51	84	119	51	99	9	203	224	135	68	45	305	95
2	124	225	65	106	119	51	99	9	258	224	176	88	45	305	95

NPT (inch)	L7 (mm)	M	z (mm)	z1 (mm)
3/8	48	6	86	43
1/2	48	6	80	40
3/4	48	6	95	48
1	48	6	110	55
1 1/4	59	8	132	66
1 1/2	59	8	157	79
2	59	8	210	105





**SYGEF Standard**  
**3-Way ball valve type 287**  
**Horizontal/L-port DA (Double acting)**  
**Without manual override**  
**With butt fusion spigots IR-Plus metric**

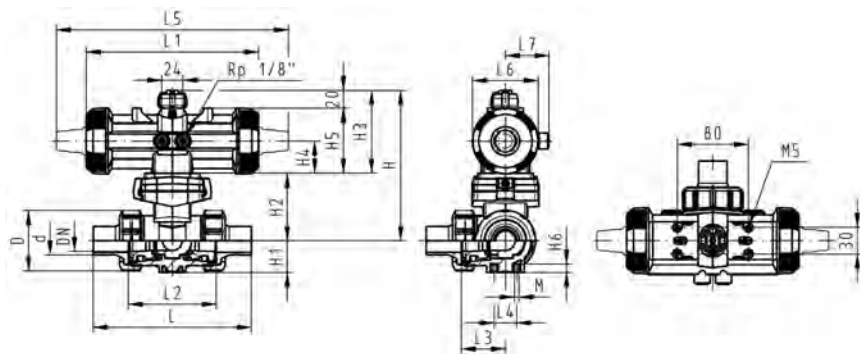
**Model:**

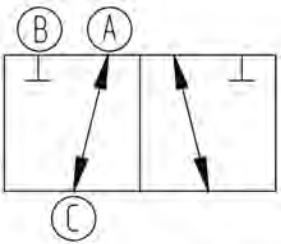
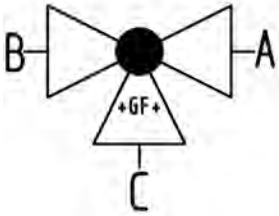
- Material: PVDF
- Built on with pneumatic actuator PA11 (DN10/15-25), PA21 (DN32-50)
- Basic position A-C opened, activated position B-C opened, see flow scheme
- Control time 90° < 1-3 s
- For easy installation and removal
- Integrated stainless steel mounting inserts

d (mm)	DN (mm)	PN (bar)	kv-value ( $\Delta p=1$ bar) (l/min)	FPM Code	Weight (kg)
20	15	10	75	<b>199 287 173</b>	1.012
25	20	10	150	<b>199 287 174</b>	1.179
32	25	10	280	<b>199 287 175</b>	1.433
40	32	10	480	<b>199 287 176</b>	2.403
50	40	10	620	<b>199 287 177</b>	3.036
63	50	10	1230	<b>199 287 178</b>	4.847

d (mm)	D (mm)	H (mm)	H1 (mm)	H2 (mm)	H3 (mm)	H4 (mm)	H5 (mm)	H6 (mm)	L (mm)	L1 (mm)	L2 (mm)	L3 (mm)	L4 (mm)	L5 (mm)	L6 (mm)
20	50	159	28	62	97	40	77	8	146	194	72	36	25	261	76
25	58	168	32	71	97	40	77	8	163	194	85	43	25	261	76
32	68	168	36	71	97	40	77	8	178	194	98	49	25	261	76
40	84	203	45	84	119	51	99	9	204	224	118	59	45	305	95
50	97	203	51	84	119	51	99	9	237	224	135	68	45	305	95
63	124	225	65	106	119	51	99	9	296	224	176	88	45	305	95

d (mm)	L7 (mm)	M	closest inch (inch)
20	48	6	½
25	48	6	¾
32	48	6	1
40	59	8	1 ¼
50	59	8	1 ½
63	59	8	2





**SYGEF Standard**  
**3-Way ball valve type 287**  
**Horizontal/L-port DA (Double acting)**  
**Without manual override**  
**With socket fusion spigots metric**

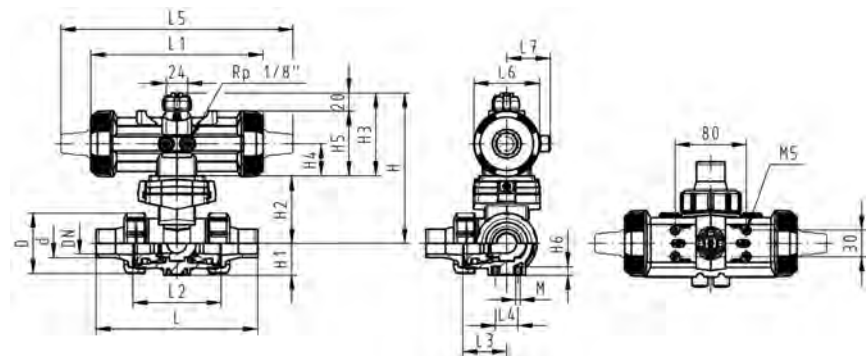
**Model:**

- Material: PVDF
- Built on with pneumatic actuator PA11 (DN10/15-25), PA21 (DN32-50)
- Basic position A-C opened, activated position B-C opened, see flow scheme
- Control time 90°<) 1-3 s
- For easy installation and removal
- Integrated stainless steel mounting inserts

d (mm)	DN (mm)	PN (bar)	kv-value ( $\Delta p=1$ bar) (l/min)	FPM Code	Weight (kg)
16	10	10	50	<b>199 287 132</b>	1.001
20	15	10	75	<b>199 287 133</b>	1.012
25	20	10	150	<b>199 287 134</b>	1.179
32	25	10	280	<b>199 287 135</b>	1.433
40	32	10	480	<b>199 287 136</b>	2.403
50	40	10	620	<b>199 287 137</b>	3.036
63	50	10	1230	<b>199 287 138</b>	4.847

d (mm)	D (mm)	H (mm)	H1 (mm)	H2 (mm)	H3 (mm)	H4 (mm)	H5 (mm)	H6 (mm)	L (mm)	L1 (mm)	L2 (mm)	L3 (mm)	L4 (mm)	L5 (mm)	L6 (mm)
16	50	159	28	62	97	40	77	8	126	194	72	36	25	261	76
20	50	159	28	62	97	40	77	8	136	194	72	36	25	261	76
25	58	168	32	71	97	40	77	8	159	194	85	43	25	261	76
32	68	168	36	71	97	40	77	8	178	194	98	49	25	261	76
40	84	203	45	84	119	51	99	9	204	224	118	59	45	305	95
50	97	203	51	84	119	51	99	9	237	224	135	68	45	305	95
63	124	225	65	106	119	51	99	9	296	224	176	88	45	305	95

d (mm)	L7 (mm)	M (mm)	closest inch (inch)
16	48	6	$\frac{3}{8}$
20	48	6	$\frac{1}{2}$
25	48	6	$\frac{3}{4}$
32	48	6	1
40	59	8	$1\frac{1}{4}$
50	59	8	$1\frac{1}{2}$
63	59	8	2



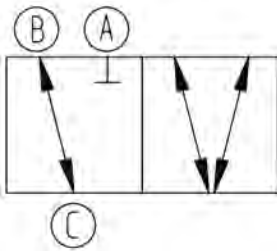
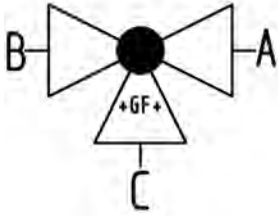




**SYGEF Standard**  
**3-Way ball valve type 287**  
**Horizontal/T-port**  
**Without manual override**  
**With threaded sockets NPT**

**Model:**

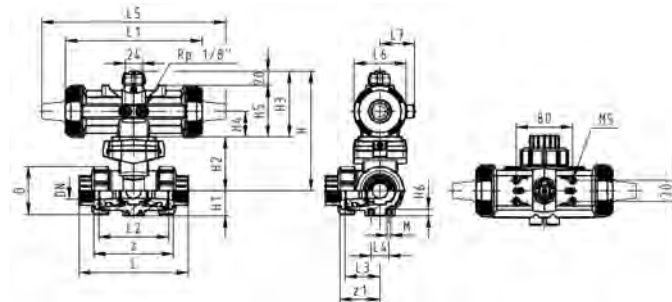
- Material: PVDF
- Built on with pneumatic actuator PA11 (DN10/15-25), PA21 (DN32-50)
- Actuator fails safe to the closed position FC
- Basic position B-C opened, activated position A-B-C opened, see flow scheme
- Control time  $90^\circ < \infty$ ) 1-3 s
- For easy installation and removal
- Integrated stainless steel mounting inserts



NPT (inch)	DN (mm)	PN (bar)	kv-value ( $\Delta p=1$ bar) (L/min)	FPM Code	Weight (kg)
3/8	10	10	140	<b>199 287 252</b>	1.182
1/2	15	10	200	<b>199 287 253</b>	1.189
3/4	20	10	470	<b>199 287 254</b>	1.347
1	25	10	793	<b>199 287 255</b>	1.584
1 1/4	32	10	1290	<b>199 287 256</b>	2.786
1 1/2	40	10	1910	<b>199 287 257</b>	3.352
2	50	10	3100	<b>199 287 258</b>	5.052

NPT (inch)	D (mm)	H (mm)	H1 (mm)	H2 (mm)	H3 (mm)	H4 (mm)	H5 (mm)	H6 (mm)	L (mm)	L1 (mm)	L2 (mm)	L3 (mm)	L4 (mm)	L5 (mm)	L6 (mm)
3/8	50	159	28	62	97	40	77	8	112	194	72	36	25	261	76
1/2	50	159	28	62	97	40	77	8	114	194	72	36	25	261	76
3/4	58	168	32	71	97	40	77	8	131	194	85	43	25	261	76
1	68	168	36	71	97	40	77	8	154	194	98	49	25	261	76
1 1/4	84	203	45	84	119	51	99	9	180	224	118	59	45	305	95
1 1/2	97	203	51	84	119	51	99	9	203	224	135	68	45	305	95
2	124	225	65	106	119	51	99	9	258	224	176	88	45	305	95

NPT (inch)	L7 (mm)	M	z	z1 (mm)
3/8	48	6	86	43
1/2	48	6	80	40
3/4	48	6	95	48
1	48	6	110	55
1 1/4	59	8	132	66
1 1/2	59	8	157	79
2	59	8	210	105

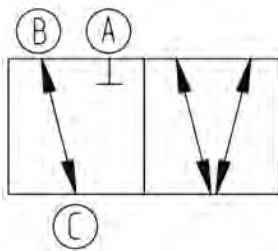
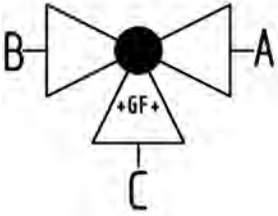




**SYGEF Standard**  
**3-Way ball valve type 287**  
**Horizontal/T-port**  
**Without manual override**  
**With butt fusion spigots IR-Plus metric**

**Model:**

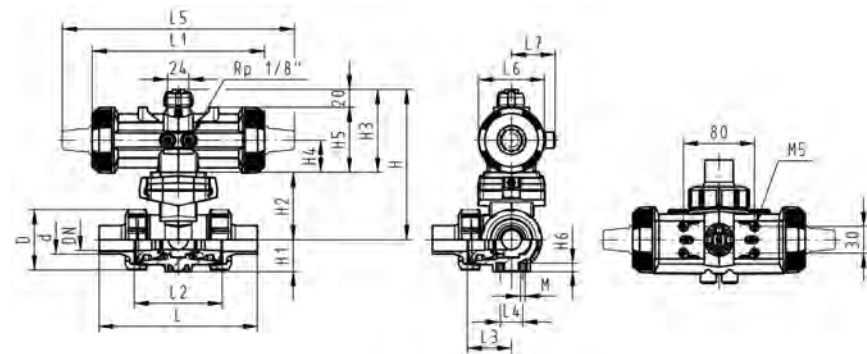
- Material: PVDF
- Built on with pneumatic actuator PA11 (DN10/15-25), PA21 (DN32-50)
- Actuator fails safe to the closed position FC
- Basic position B-C opened, activated position A-B-C opened, see flow scheme
- Control time 90° < 1-3 s
- For easy installation and removal
- Integrated stainless steel mounting inserts

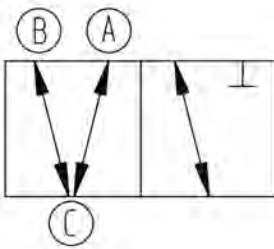
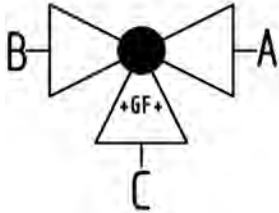


d (mm)	DN (mm)	PN (bar)	kv-value ( $\Delta p=1$ bar) (l/min)	FPM Code	Weight (kg)
20	15	10	200	<b>199 287 073</b>	1.201
25	20	10	470	<b>199 287 074</b>	1.366
32	25	10	793	<b>199 287 075</b>	1.615
40	32	10	1290	<b>199 287 076</b>	2.813
50	40	10	1910	<b>199 287 077</b>	3.433
63	50	10	3100	<b>199 287 078</b>	5.213

d (mm)	D (mm)	H (mm)	H1 (mm)	H2 (mm)	H3 (mm)	H4 (mm)	H5 (mm)	H6 (mm)	L (mm)	L1 (mm)	L2 (mm)	L3 (mm)	L4 (mm)	L5 (mm)	L6 (mm)
20	50	159	28	62	97	40	77	8	146	194	72	36	25	261	76
25	58	168	32	71	97	40	77	8	163	194	85	43	25	261	76
32	68	168	36	71	97	40	77	8	178	194	98	49	25	261	76
40	84	203	45	84	119	51	99	9	204	224	118	59	45	305	95
50	97	203	51	84	119	51	99	9	237	224	135	68	45	305	95
63	124	225	65	106	119	51	99	9	296	224	176	88	45	305	95

d (mm)	L7 (mm)	M (mm)	closest inch (inch)
20	48	6	½
25	48	6	¾
32	48	6	1
40	59	8	1 ¼
50	59	8	1 ½
63	59	8	2





**SYGEF Standard**  
**3-Way ball valve type 287**  
**Horizontal/T-port DA (Double acting)**  
**Without manual override**  
**With threaded sockets NPT**

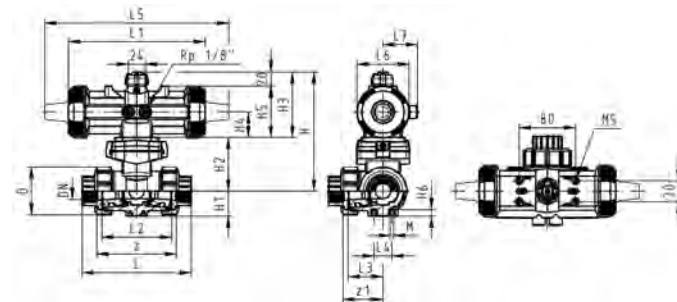
**Model:**

- Material: PVDF
- Built on with pneumatic actuator PA11 (DN10/15-25), PA21 (DN32-50)
- Basic position A-B-C opened, activated position B-C opened, see flow scheme
- Control time 90°<) 1-3 s
- For easy installation and removal
- Integrated stainless steel mounting inserts

NPT (inch)	DN (mm)	PN (bar)	kv-value (Δp=1 bar) (l/min)	FPM Code	Weight (kg)
3/8	10	10	140	<b>199 287 272</b>	0.991
1/2	15	10	200	<b>199 287 273</b>	0.999
3/4	20	10	470	<b>199 287 274</b>	1.157
1	25	10	793	<b>199 287 275</b>	1.394
1 1/4	32	10	1290	<b>199 287 276</b>	2.362
1 1/2	40	10	1910	<b>199 287 277</b>	2.928
2	50	10	3100	<b>199 287 278</b>	4.628

NPT (inch)	D (mm)	H (mm)	H1 (mm)	H2 (mm)	H3 (mm)	H4 (mm)	H5 (mm)	H6 (mm)	L (mm)	L1 (mm)	L2 (mm)	L3 (mm)	L4 (mm)	L5 (mm)	L6 (mm)
3/8	50	159	28	62	97	40	77	8	112	194	72	36	25	261	76
1/2	50	159	28	62	97	40	77	8	114	194	72	36	25	261	76
3/4	58	168	32	71	97	40	77	8	131	194	85	43	25	261	76
1	68	168	36	71	97	40	77	8	154	194	98	49	25	261	76
1 1/4	84	203	45	84	119	51	99	9	180	224	118	59	45	305	95
1 1/2	97	203	51	84	119	51	99	9	203	224	135	68	45	305	95
2	124	225	65	106	119	51	99	9	258	224	176	88	45	305	95

NPT (inch)	L7 (mm)	M	z (mm)	z1 (mm)
3/8	48	6	86	43
1/2	48	6	80	40
3/4	48	6	95	48
1	48	6	110	55
1 1/4	59	8	132	66
1 1/2	59	8	157	79
2	59	8	210	105

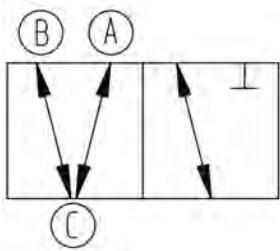
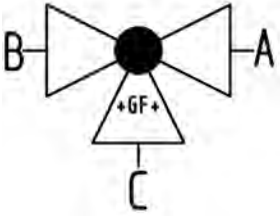




**SYGEF Standard**  
**3-Way ball valve type 287**  
**Horizontal/T-port DA (Double acting)**  
**Without manual override**  
**With butt fusion spigots IR-Plus metric**

**Model:**

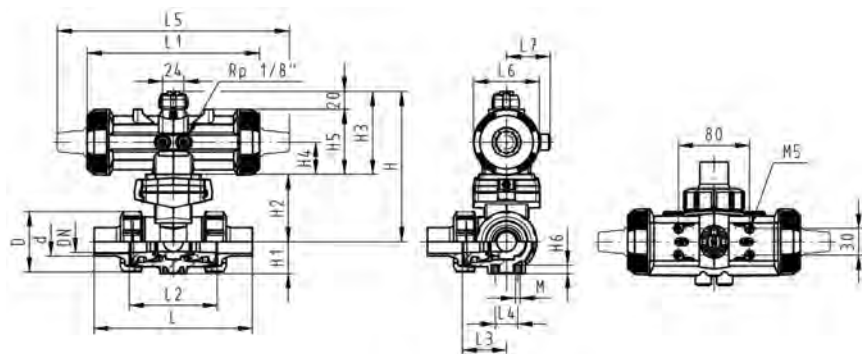
- Material: PVDF
- Built on with pneumatic actuator PA11 (DN10/15-25), PA21 (DN32-50)
- Basic position A-B-C opened, activated position B-C opened, see flow scheme
- Control time 90°<) 1-3 s
- For easy installation and removal
- Integrated stainless steel mounting inserts

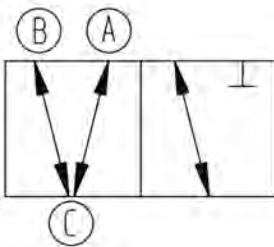
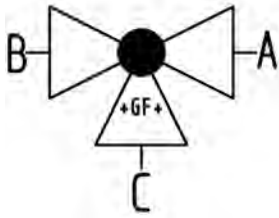


d (mm)	DN (mm)	PN (bar)	kv-value ( $\Delta p=1$ bar) (l/min)	FPM Code	Weight (kg)
20	15	10	140	<b>199 287 193</b>	1.011
25	20	10	200	<b>199 287 194</b>	1.176
32	25	10	470	<b>199 287 195</b>	1.425
40	32	10	793	<b>199 287 196</b>	2.389
50	40	10	1290	<b>199 287 197</b>	3.009
63	50	10	3100	<b>199 287 198</b>	4.789

d (mm)	D (mm)	H (mm)	H1 (mm)	H2 (mm)	H3 (mm)	H4 (mm)	H5 (mm)	H6 (mm)	L (mm)	L1 (mm)	L2 (mm)	L3 (mm)	L4 (mm)	L5 (mm)	L6 (mm)
20	50	159	28	62	97	40	77	8	146	194	72	36	25	261	76
25	58	168	32	71	97	40	77	8	163	194	85	43	25	261	76
32	68	168	36	71	97	40	77	8	178	194	98	49	25	261	76
40	84	203	45	84	119	51	99	9	204	224	118	59	45	305	95
50	97	203	51	84	119	51	99	9	237	224	135	68	45	305	95
63	124	225	65	106	119	51	99	9	296	224	176	88	45	305	95

d (mm)	L7 (mm)	M	closest inch (inch)
20	48	6	1/2
25	48	6	3/4
32	48	6	1
40	59	8	1 1/4
50	59	8	1 1/2
63	59	8	2





**SYGEF Standard**  
**3-Way ball valve type 287**  
**Horizontal/T-port DA (Double acting)**  
**Without manual override**  
**With socket fusion spigots metric**

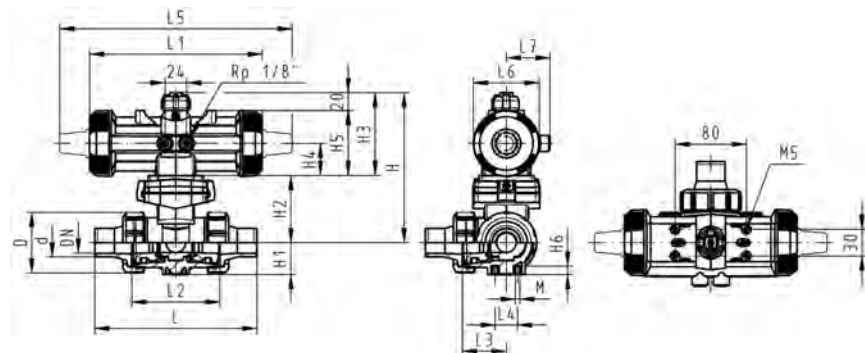
**Model:**

- Material: PVDF
- Built on with pneumatic actuator PA11 (DN10/15-25), PA21 (DN32-50)
- Basic position A-B-C opened, activated position B-C opened, see flow scheme
- Control time 90° < 1-3 s
- For easy installation and removal
- Integrated stainless steel mounting inserts

d (mm)	DN (mm)	PN (bar)	kv-value ( $\Delta p=1$ bar) (l/min)	FPM Code	Weight (kg)
16	10	10	140	<b>199 287 152</b>	0.999
20	15	10	200	<b>199 287 153</b>	1.011
25	20	10	470	<b>199 287 154</b>	1.176
32	25	10	793	<b>199 287 155</b>	1.425
40	32	10	1290	<b>199 287 156</b>	2.389
50	40	10	1910	<b>199 287 157</b>	3.009
63	50	10	3100	<b>199 287 158</b>	4.789

d (mm)	D (mm)	H (mm)	H1 (mm)	H2 (mm)	H3 (mm)	H4 (mm)	H5 (mm)	H6 (mm)	L (mm)	L1 (mm)	L2 (mm)	L3 (mm)	L4 (mm)	L5 (mm)	L6 (mm)
16	50	159	28	62	97	40	77	8	126	194	72	36	25	261	76
20	50	159	28	62	97	40	77	8	136	194	72	36	25	261	76
25	58	168	32	71	97	40	77	8	159	194	85	43	25	261	76
32	68	168	36	71	97	40	77	8	178	194	98	49	25	261	76
40	84	203	45	84	119	51	99	9	204	224	118	59	45	305	95
50	97	203	51	84	119	51	99	9	237	224	135	68	45	305	95
63	124	225	65	106	119	51	99	9	296	224	176	88	45	305	95

d (mm)	L7 (mm)	M (mm)	closest inch (inch)
16	48	6	3/8
20	48	6	1/2
25	48	6	3/4
32	48	6	1
40	59	8	1 1/4
50	59	8	1 1/2
63	59	8	2

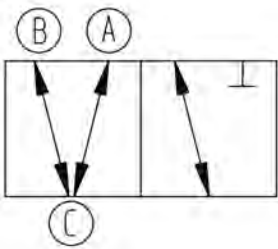
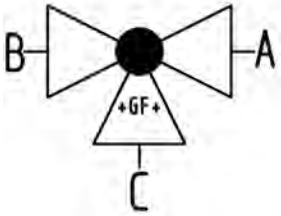




**SYGEF Standard**  
**3-Way ball valve type 287**  
**Horizontal/T-port DA (Double acting)**  
**Without manual override**  
**With fusion sockets metric**

**Model:**

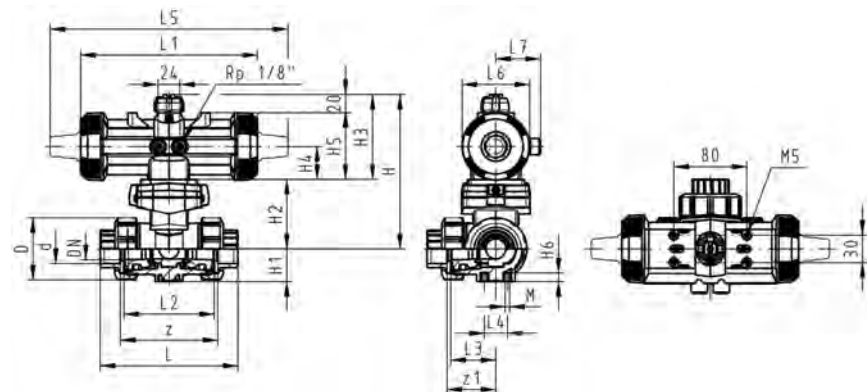
- Material: PVDF
- Built on with pneumatic actuator PA11 (DN10/15-25), PA21 (DN32-50)
- Basic position A-B-C opened, activated position B-C opened, see flow scheme
- Control time 90°<) 1-3 s
- For easy installation and removal
- Integrated stainless steel mounting inserts



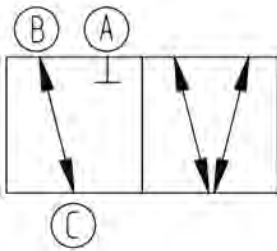
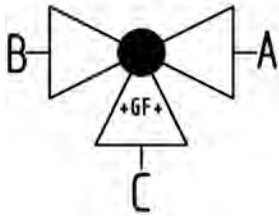
d (mm)	DN (mm)	PN (bar)	kv-value ( $\Delta p=1$ bar) (l/min)	FPM Code	Weight (kg)
16	10	10	140	<b>199 287 232</b>	0.991
20	15	10	200	<b>199 287 233</b>	0.999
25	20	10	470	<b>199 287 234</b>	1.157
32	25	10	793	<b>199 287 235</b>	1.394
40	32	10	1290	<b>199 287 236</b>	2.362
50	40	10	1910	<b>199 287 237</b>	2.928
63	50	10	3100	<b>199 287 238</b>	4.628

d (mm)	D (mm)	H (mm)	H1 (mm)	H2 (mm)	H3 (mm)	H4 (mm)	H5 (mm)	H6 (mm)	L (mm)	L1 (mm)	L2 (mm)	L3 (mm)	L4 (mm)	L5 (mm)	L6 (mm)
16	50	159	28	62	97	40	77	8	110	194	72	36	25	261	76
20	50	159	28	62	97	40	77	8	112	194	72	36	25	261	76
25	58	168	32	71	97	40	77	8	129	194	85	43	25	261	76
32	68	168	36	71	97	40	77	8	146	194	98	49	25	261	76
40	84	203	45	84	119	51	99	9	170	224	118	59	45	305	95
50	97	203	51	84	119	51	99	9	193	224	135	68	45	305	95
63	124	225	65	106	119	51	99	9	244	224	176	88	45	305	95

d (mm)	L7 (mm)	M	z (mm)	z1 (mm)	closest inch (inch)
16	48	6	82	41	3/8
20	48	6	82	41	1/2
25	48	6	97	49	3/4
32	48	6	110	55	1
40	59	8	132	66	1 1/4
50	59	8	151	76	1 1/2
63	59	8	188	94	2







**SYGEF Standard**  
**3-Way ball valve type 287**  
**Horizontal/T-port**  
**Without manual override**  
**With socket fusion spigots metric**

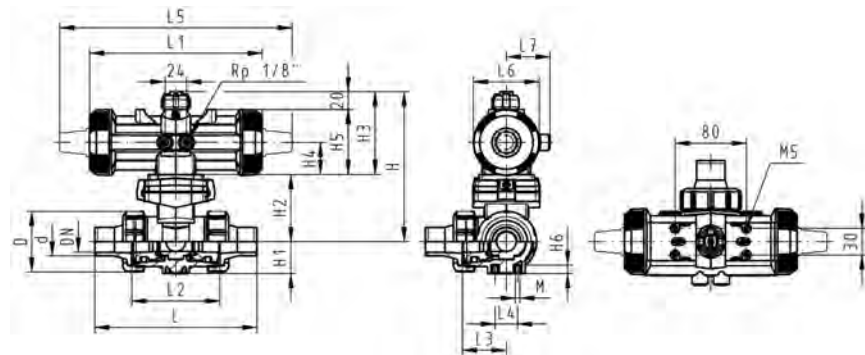
**Model:**

- Material: PVDF
- Built on with pneumatic actuator PA11 (DN10/15-25), PA21 (DN32-50)
- Actuator fails safe to the closed position FC
- Basic position B-C opened, activated position A-B-C opened, see flow scheme
- Control time 90° < 1-3 s
- For easy installation and removal
- Integrated stainless steel mounting inserts

d (mm)	DN (mm)	PN (bar)	kv-value ( $\Delta p=1$ bar) (l/min)	FPM Code	Weight (kg)
16	10	10	140	<b>199 287 032</b>	1.189
20	15	10	200	<b>199 287 033</b>	1.201
25	20	10	470	<b>199 287 034</b>	1.366
32	25	10	793	<b>199 287 035</b>	1.615
40	32	10	1290	<b>199 287 036</b>	2.813
50	40	10	1910	<b>199 287 037</b>	3.433
63	50	10	3100	<b>199 287 038</b>	5.213

d (mm)	D (mm)	H (mm)	H1 (mm)	H2 (mm)	H3 (mm)	H4 (mm)	H5 (mm)	H6 (mm)	L (mm)	L1 (mm)	L2 (mm)	L3 (mm)	L4 (mm)	L5 (mm)	L6 (mm)
16	50	159	28	62	97	40	77	8	126	194	72	36	25	261	76
20	50	159	28	62	97	40	77	8	136	194	72	36	25	261	76
25	58	168	32	71	97	40	77	8	159	194	85	43	25	261	76
32	68	168	36	71	97	40	77	8	178	194	98	49	25	261	76
40	84	203	45	84	119	51	99	9	204	224	118	59	45	305	95
50	97	203	51	84	119	51	99	9	237	224	135	68	45	305	95
63	124	225	65	106	119	51	99	9	296	224	176	88	45	305	95

d (mm)	L7 (mm)	M (mm)	closest inch (inch)
16	48	6	$\frac{3}{8}$
20	48	6	$\frac{1}{2}$
25	48	6	$\frac{3}{4}$
32	48	6	1
40	59	8	$1 \frac{1}{4}$
50	59	8	$1 \frac{1}{2}$
63	59	8	2

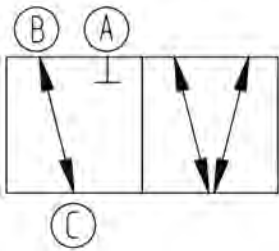
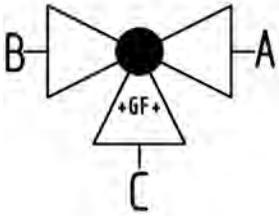




**SYGEF Standard**  
**3-Way ball valve type 287**  
**Horizontal/T-port**  
**Without manual override**  
**With fusion sockets metric**

**Model:**

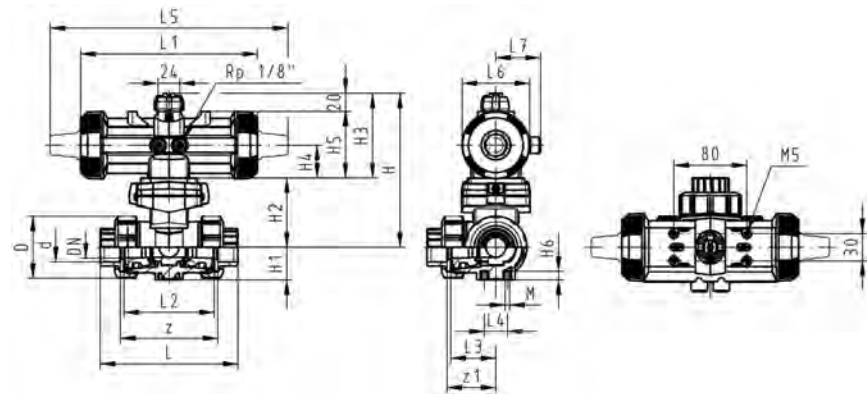
- Material: PVDF
- Built on with pneumatic actuator PA11 (DN10/15-25), PA21 (DN32-50)
- Actuator fails safe to the closed position FC
- Basic position B-C opened, activated position A-B-C opened, see flow scheme
- Control time 90°<) 1-3 s
- For easy installation and removal
- Integrated stainless steel mounting inserts

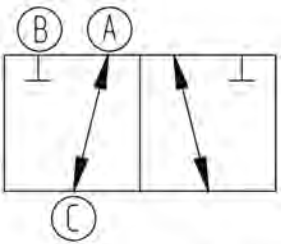
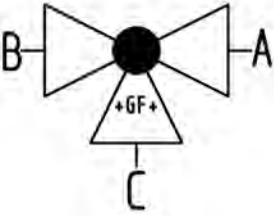


d (mm)	DN (mm)	PN (bar)	kv-value (Δp=1 bar) (l/min)	FPM Code	Weight (kg)
16	10	10	140	<b>199 287 112</b>	1.182
20	15	10	200	<b>199 287 113</b>	1.189
25	20	10	470	<b>199 287 114</b>	1.347
32	25	10	793	<b>199 287 115</b>	1.584
40	32	10	1290	<b>199 287 116</b>	2.786
50	40	10	1910	<b>199 287 117</b>	3.154
63	50	10	3100	<b>199 287 118</b>	5.052

d (mm)	D (mm)	H (mm)	H1 (mm)	H2 (mm)	H3 (mm)	H4 (mm)	H5 (mm)	H6 (mm)	L (mm)	L1 (mm)	L2 (mm)	L3 (mm)	L4 (mm)	L5 (mm)	L6 (mm)
16	50	159	28	62	97	40	77	8	110	194	72	36	25	261	76
20	50	159	28	62	97	40	77	8	112	194	72	36	25	261	76
25	58	168	32	71	97	40	77	8	129	194	85	43	25	261	76
32	68	168	36	71	97	40	77	8	146	194	98	49	25	261	76
40	84	203	45	84	119	51	99	9	170	224	118	59	45	305	95
50	97	203	51	84	119	51	99	9	193	224	135	68	45	305	95
63	124	225	65	106	119	51	99	9	244	224	176	88	45	305	95

d (mm)	L7 (mm)	M	z (mm)	z1 (mm)	closest inch (inch)
16	48	6	82	41	3/8
20	48	6	82	41	1/2
25	48	6	97	49	3/4
32	48	6	110	55	1
40	59	8	132	66	1 1/4
50	59	8	151	76	1 1/2
63	59	8	188	94	2





**SYGEF Standard**  
**3-Way ball valve type 287**  
**Horizontal/L-port DA (Double acting)**  
**Without manual override**  
**With fusion sockets metric**

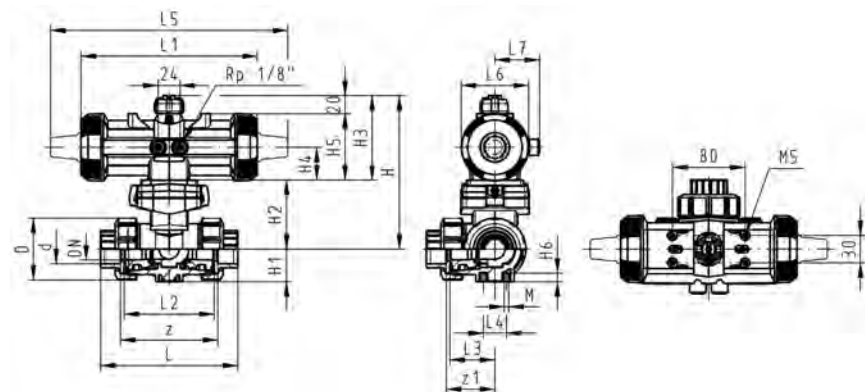
**Model:**

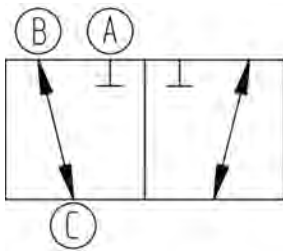
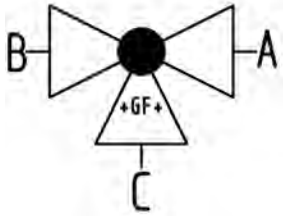
- Material: PVDF
- Built on with pneumatic actuator PA11 (DN10/15-25), PA21 (DN32-50)
- Basic position A-C opened, activated position B-C opened, see flow scheme
- Control time 90°<) 1-3 s
- For easy installation and removal
- Integrated stainless steel mounting inserts

d (mm)	DN (mm)	PN (bar)	kv-value ( $\Delta p=1$ bar) (l/min)	FPM Code	Weight (kg)
16	10	10	50	<b>199 287 212</b>	0.992
20	15	10	75	<b>199 287 213</b>	1.001
25	20	10	150	<b>199 287 214</b>	1.159
32	25	10	280	<b>199 287 215</b>	1.403
40	32	10	480	<b>199 287 216</b>	2.376
50	40	10	620	<b>199 287 217</b>	2.955
63	50	10	1230	<b>199 287 218</b>	4.347

d (mm)	D (mm)	H (mm)	H1 (mm)	H2 (mm)	H3 (mm)	H4 (mm)	H5 (mm)	H6 (mm)	L (mm)	L1 (mm)	L2 (mm)	L3 (mm)	L4 (mm)	L5 (mm)	L6 (mm)
16	50	159	28	62	97	40	77	8	110	194	72	36	25	261	76
20	50	159	28	62	97	40	77	8	112	194	72	36	25	261	76
25	58	168	32	71	97	40	77	8	129	194	85	43	25	261	76
32	68	168	36	71	97	40	77	8	146	194	98	49	25	261	76
40	84	203	45	84	119	51	99	9	170	224	118	59	45	305	95
50	97	203	51	84	119	51	99	9	193	224	135	68	45	305	95
63	124	225	65	106	119	51	99	9	244	224	176	88	45	305	95

d (mm)	L7 (mm)	M	z (mm)	z1 (mm)	closest inch (inch)
16	48	6	82	41	3/8
20	48	6	82	41	1/2
25	48	6	97	49	3/4
32	48	6	110	55	1
40	59	8	132	66	1 1/4
50	59	8	151	76	1 1/2
63	59	8	188	94	2





**SYGEF Standard**  
**3-Way ball valve type 287**  
**Horizontal/L-port**  
**Without manual override**  
**With socket fusion spigots metric**

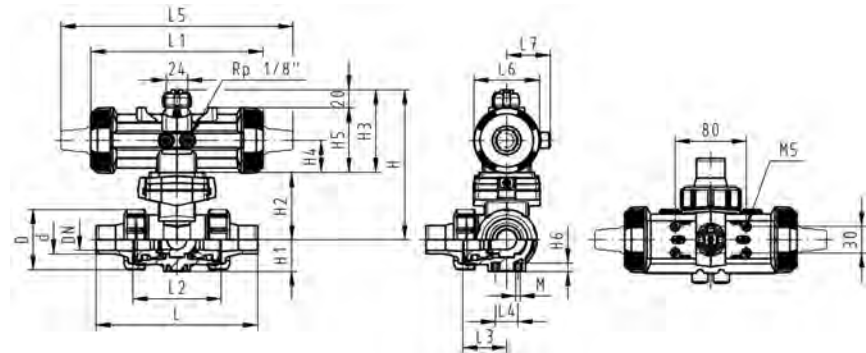
**Model:**

- Material: PVDF
- Built on with pneumatic actuator PA11 (DN10/15-25), PA21 (DN32-50)
- Actuator fails safe to the closed position FC
- Basic position B-C opened, activated position A-C opened, see flow scheme
- Control time 90°<) 1-3 s
- For easy installation and removal
- Integrated stainless steel mounting inserts

d (mm)	DN (mm)	PN (bar)	kv-value ( $\Delta p=1$ bar) (l/min)	FPM Code	Weight (kg)
16	10	10	50	<b>199 287 012</b>	1.191
20	15	10	75	<b>199 287 013</b>	1.202
25	20	10	150	<b>199 287 014</b>	1.369
32	25	10	280	<b>199 287 015</b>	1.623
40	32	10	480	<b>199 287 016</b>	2.827
50	40	10	620	<b>199 287 017</b>	3.460
63	50	10	1230	<b>199 287 018</b>	5.271

d (mm)	D (mm)	H (mm)	H1 (mm)	H2 (mm)	H3 (mm)	H4 (mm)	H5 (mm)	H6 (mm)	L (mm)	L1 (mm)	L2 (mm)	L3 (mm)	L4 (mm)	L5 (mm)	L6 (mm)
16	50	159	28	62	97	40	77	8	126	194	72	36	25	261	76
20	50	159	28	62	97	40	77	8	136	194	72	36	25	261	76
25	58	168	32	71	97	40	77	8	159	194	85	43	25	261	76
32	68	168	36	71	97	40	77	8	178	194	98	49	25	261	76
40	84	203	45	84	119	51	99	9	204	224	118	59	45	305	95
50	97	203	51	84	119	51	99	9	237	224	135	68	45	305	95
63	124	225	65	106	119	51	99	9	296	224	176	88	45	305	95

d (mm)	L7 (mm)	M (mm)	closest inch (inch)
16	48	6	$\frac{3}{8}$
20	48	6	$\frac{1}{2}$
25	48	6	$\frac{3}{4}$
32	48	6	1
40	59	8	1 $\frac{1}{4}$
50	59	8	1 $\frac{1}{2}$
63	59	8	2

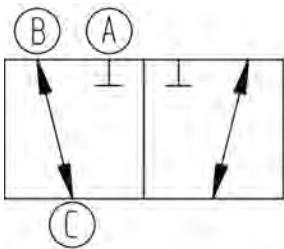
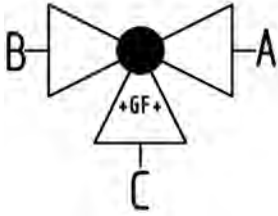




**SYGEF Standard**  
**3-Way ball valve type 287**  
**Horizontal/L-port**  
**Without manual override**  
**With fusion sockets metric**

**Model:**

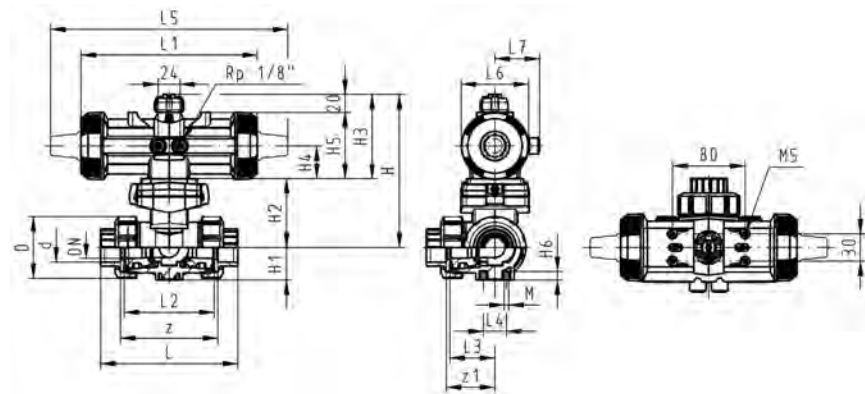
- Material: PVDF
- Built on with pneumatic actuator PA11 (DN10/15-25), PA21 (DN32-50)
- Actuator fails safe to the closed position FC
- Basic position B-C opened, activated position A-C opened, see flow scheme
- Control time 90° < 1-3 s
- For easy installation and removal
- Integrated stainless steel mounting inserts



d (mm)	DN (mm)	PN (bar)	kv-value (Δp=1 bar) (l/min)	FPM Code	Weight (kg)
16	10	10	50	<b>199 287 092</b>	1.183
20	15	10	75	<b>199 287 093</b>	1.191
25	20	10	150	<b>199 287 094</b>	1.349
32	25	10	280	<b>199 287 095</b>	1.593
40	32	10	480	<b>199 287 096</b>	2.800
50	40	10	620	<b>199 287 097</b>	3.379
63	50	10	1230	<b>199 287 098</b>	5.109

d (mm)	D (mm)	H (mm)	H1 (mm)	H2 (mm)	H3 (mm)	H4 (mm)	H5 (mm)	H6 (mm)	L (mm)	L1 (mm)	L2 (mm)	L3 (mm)	L4 (mm)	L5 (mm)	L6 (mm)
16	50	159	28	62	97	40	77	8	110	194	72	36	25	261	76
20	50	159	28	62	97	40	77	8	112	194	72	36	25	261	76
25	58	168	32	71	97	40	77	8	129	194	85	43	25	261	76
32	68	168	36	71	97	40	77	8	146	194	98	49	25	261	76
40	84	203	45	84	119	51	99	9	170	224	118	59	45	305	95
50	97	203	51	84	119	51	99	9	193	224	135	68	45	305	95
63	124	225	65	106	119	51	99	9	244	224	176	88	45	305	95

d (mm)	L7 (mm)	M	z (mm)	z1 (mm)	closest inch (inch)
16	48	6	82	41	3/8
20	48	6	82	41	1/2
25	48	6	97	49	3/4
32	48	6	110	55	1
40	59	8	132	66	1 1/4
50	59	8	151	76	1 1/2
63	59	8	188	94	2





DN10/15 - 50

**SYGEF Standard**  
**Ball valve type 232**  
**Function DA (Double acting)**  
**With manual override**  
**With fusion sockets metric**

**Model:**

- Material: PVDF
- Built on with pneumatic actuator PA11 (DN10/15-25), PA21 (DN32-50)
- Control time 90° < 1-2s
- For easy installation and removal
- Integrated stainless steel mounting inserts

**Option:**

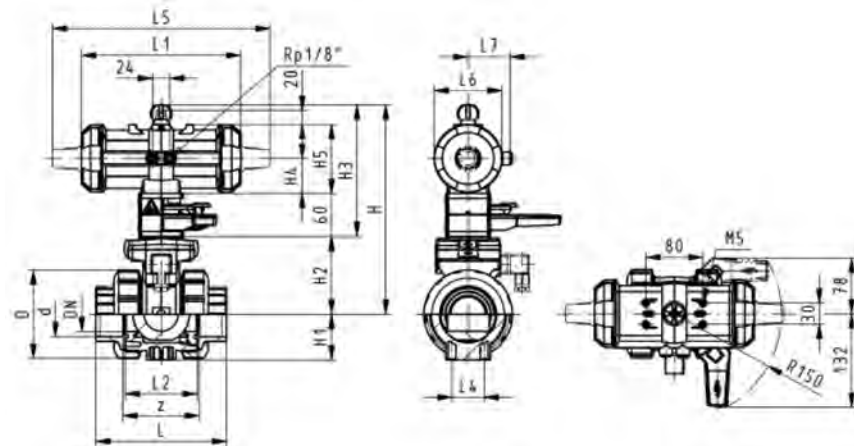
- Individual configuration of the valve (see diagram)

d (mm)	DN (mm)	PN (bar)	kv-value ( $\Delta p=1$ bar) (L/min)	FPM Code	Weight (kg)
16	10	10	70	199 232 092	1.500
20	15	10	185	199 232 093	1.500
25	20	10	350	199 232 094	1.600
32	25	10	700	199 232 095	1.331
40	32	10	1000	199 232 096	2.800
50	40	10	1600	199 232 097	3.100
63	50	10	3100	199 232 098	4.000

d (mm)	D (mm)	H (mm)	H1 (mm)	H2 (mm)	H3 (mm)	H4 (mm)	H5 (mm)	L (mm)	L1 (mm)	L2 (mm)	L4 (mm)	L5 (mm)	L6 (mm)	L7 (mm)	z (mm)
16	50	230	27	62	168	40	77	93	194	56	25	261	76	48	67
20	50	230	27	62	168	40	77	95	194	56	25	261	76	48	66
25	58	239	30	71	168	40	77	109	194	65	25	261	76	48	77
32	68	239	36	71	168	40	77	119	194	71	25	261	76	48	83
40	84	271	44	84	187	51	99	135	224	85	45	305	95	59	99
50	97	271	51	84	187	51	99	147	224	89	45	305	95	59	105
63	124	293	64	106	187	51	99	168	224	101	45	305	95	59	117

**d closest**  
 (mm) **inch**  
 (inch)

16	3/8
20	1/2
25	3/4
32	1
40	1 1/4
50	1 1/2
63	2







DN10/15 - 50

**SYGEF Standard**  
**Ball valve type 232**  
**Function FO (Fail safe to open)**  
**With manual override**  
**With fixed flanges PVDF serrated metric**

**Model:**

- Material: PVDF
- Built on with pneumatic actuator PA11 (DN10/15-25), PA21 (DN32-50)
- Control time 90°(<) 1-2s
- For easy installation and removal
- Integrated stainless steel mounting inserts
- Overall length EN 558
- Connecting dimension: ISO 7005 / EN 1092 / DIN 25 PN10 / BS4504

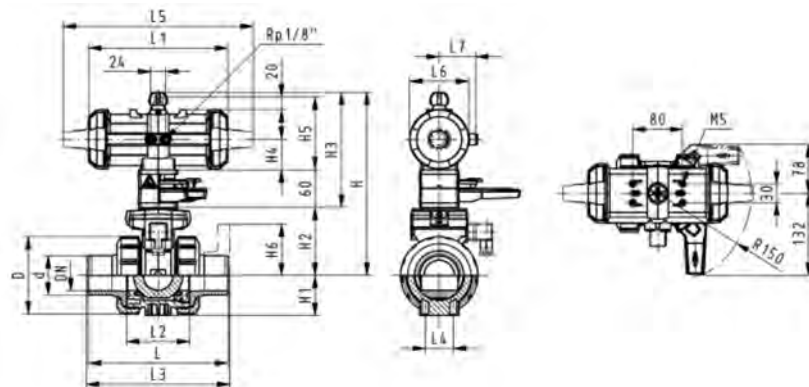
**Option:**

- Individual configuration of the valve (see diagram)

d (mm)	DN (mm)	Size (inch)	PN (bar)	kv-value ( $\Delta p=1$ bar) (l/min)	FPM Code	Weight (kg)
20	15	½	10	185	<b>199 232 023</b>	1.700
25	20	¾	10	350	<b>199 232 024</b>	1.900
32	25	1	10	700	<b>199 232 025</b>	2.100
40	32	1 ¼	10	1000	<b>199 232 026</b>	3.400
50	40	1 ½	10	1600	<b>199 232 027</b>	3.900
63	50	2	10	3100	<b>199 232 028</b>	5.000

d (mm)	D (mm)	H (mm)	H1 (mm)	H2 (mm)	H3 (mm)	H4 (mm)	H5 (mm)	H6 (mm)	L (mm)	L1 (mm)	L2 (mm)	L3 (mm)	L4 (mm)	L5 (mm)	L6 (mm)
20	50	230	27	62	168	40	77	48	124	194	56	130	25	261	76
25	58	239	30	71	168	40	77	53	144	194	65	150	25	261	76
32	68	239	36	71	168	40	77	58	154	194	71	160	25	261	76
40	84	271	44	84	187	51	99	70	174	224	85	180	45	305	95
50	97	271	51	84	187	51	99	75	194	224	89	200	45	305	95
63	124	293	64	106	187	51	99	83	224	224	101	230	45	305	95

d (mm)	L7 (mm)
20	48
25	48
32	48
40	59
50	59
63	59





DN10/15 - 50

**SYGEF Standard**  
**Ball valve type 232**  
**Function FO (Fail safe to open)**  
**With manual override**  
**With butt fusion spigots IR-Plus metric**

**Model:**

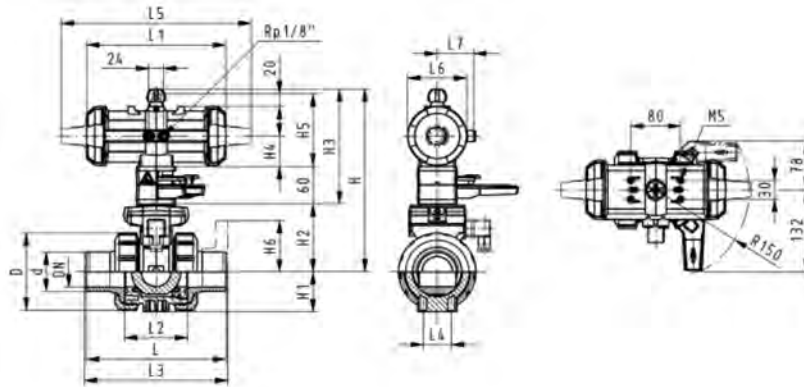
- Material: PVDF
- Built on with pneumatic actuator PA11 (DN10/15-25), PA21 (DN32-50)
- Control time 90° < 1-2s
- For easy installation and removal
- Integrated stainless steel mounting inserts

**Option:**

- Individual configuration of the valve (see diagram)

d (mm)	DN (mm)	PN (bar)	kv-value ( $\Delta p=1$ bar) (L/min)	FPM Code	Weight (kg)
20	15	10	185	199 232 753	1.200
25	20	10	350	199 232 754	1.300
32	25	10	700	199 232 755	1.400
40	32	10	1000	199 232 756	2.500
50	40	10	1600	199 232 757	2.800
63	50	10	3100	199 232 758	3.700

d (mm)	D (mm)	H (mm)	H1 (mm)	H2 (mm)	H3 (mm)	H4 (mm)	H5 (mm)	L (mm)	L1 (mm)	L2 (mm)	L4 (mm)	L5 (mm)	L6 (mm)	L7 (mm)	closest inch (inch)
20	50	159	27	62	168	40	77	130	194	56	25	261	76	48	1/2
25	58	168	30	71	168	40	77	130	194	65	25	261	76	48	3/4
32	68	168	36	71	168	40	77	130	194	71	25	261	76	48	1
40	84	202	44	84	187	51	99	130	224	85	45	305	95	59	1 1/4
50	97	202	51	84	187	51	99	130	224	89	45	305	95	59	1 1/2
63	124	225	64	106	187	51	99	130	224	101	45	305	95	59	2





DN10/15 - 50

**SYGEF Standard**  
**Ball valve type 232**  
**Function FO (Fail safe to open)**  
**With manual override**  
**With socket fusion spigots metric**

**Model:**

- Material: PVDF
- Built on with pneumatic actuator PA11 (DN10/15-25), PA21 (DN32-50)
- Control time 90°(<) 1-2s
- For easy installation and removal
- Integrated stainless steel mounting inserts

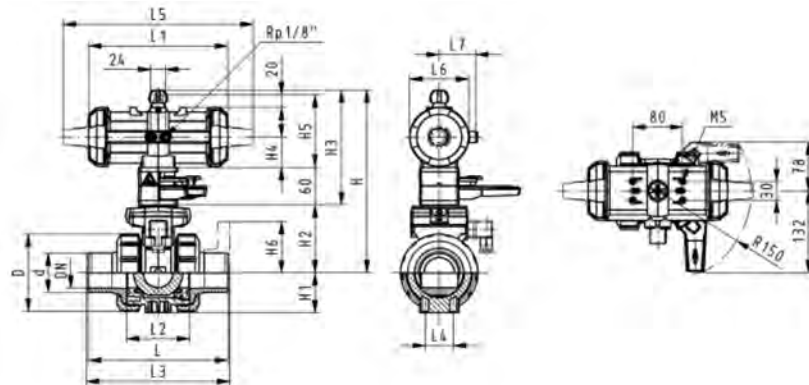
**Option:**

- Individual configuration of the valve (see diagram)

d (mm)	DN (mm)	PN (bar)	kv-value ( $\Delta p=1$ bar) (L/min)	FPM Code	Weight (kg)
16	10	10	70	199 232 072	1.500
20	15	10	185	199 232 073	1.500
25	20	10	350	199 232 074	1.600
32	25	10	700	199 232 075	1.700
40	32	10	1000	199 232 076	2.800
50	40	10	1600	199 232 077	3.100
63	50	10	3100	199 232 078	4.000

d (mm)	D (mm)	H (mm)	H1 (mm)	H2 (mm)	H3 (mm)	H4 (mm)	H5 (mm)	L (mm)	L1 (mm)	L2 (mm)	L3 (mm)	L4 (mm)	L5 (mm)	L6 (mm)	L7 (mm)
16	50	159	27	62	168	40	77	92	194	56	130	25	261	76	48
20	50	159	27	62	168	40	77	95	194	56	130	25	261	76	48
25	58	168	30	71	168	40	77	110	194	65	150	25	261	76	48
32	68	168	36	71	168	40	77	123	194	71	160	25	261	76	48
40	84	202	44	84	187	51	99	146	224	85	180	45	305	95	59
50	97	202	51	84	187	51	99	157	224	89	200	45	305	95	59
63	124	225	64	106	187	51	99	183	224	101	230	45	305	95	59

d (mm)	closest inch (inch)
16	3/8
20	1/2
25	3/4
32	1
40	1 1/4
50	1 1/2
63	2





DN10/15 - 50

**SYGEF Standard**  
**Ball valve type 232**  
**Function FO (Fail safe to open)**  
**With manual override**  
**With fusion sockets metric**

**Model:**

- Material: PVDF
- Built on with pneumatic actuator PA11 (DN10/15-25), PA21 (DN32-50)
- Control time 90° < 1-2s
- For easy installation and removal
- Integrated stainless steel mounting inserts

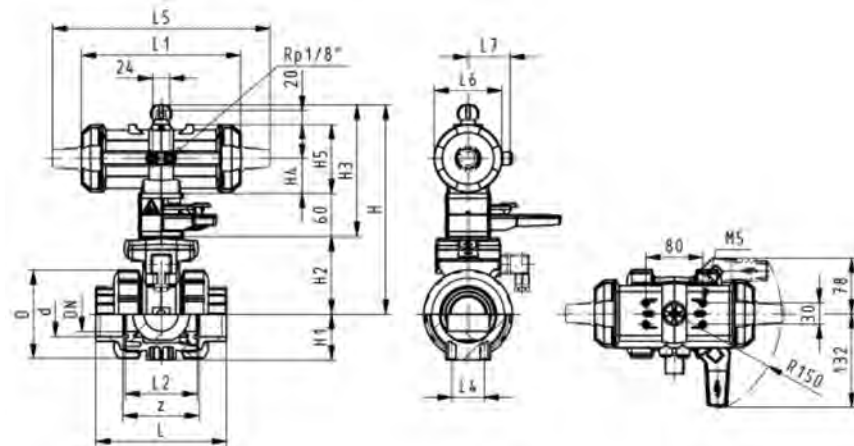
**Option:**

- Individual configuration of the valve (see diagram)

d (mm)	DN (mm)	PN (bar)	kv-value ( $\Delta p=1$ bar) (L/min)	FPM Code	Weight (kg)
16	10	10	70	199 232 052	1.500
20	15	10	185	199 232 053	1.500
25	20	10	350	199 232 054	1.600
32	25	10	700	199 232 055	1.700
40	32	10	1000	199 232 056	2.800
50	40	10	1600	199 232 057	3.100
63	50	10	3100	199 232 058	3.728

d (mm)	D (mm)	H (mm)	H1 (mm)	H2 (mm)	H3 (mm)	H4 (mm)	H5 (mm)	L (mm)	L1 (mm)	L2 (mm)	L4 (mm)	L5 (mm)	L6 (mm)	L7 (mm)	z (mm)
16	50	230	27	62	168	40	77	93	194	56	25	261	76	48	67
20	50	230	27	62	168	40	77	95	194	56	25	261	76	48	66
25	58	239	30	71	168	40	77	109	194	65	25	261	76	48	77
32	68	239	36	71	168	40	77	119	194	71	25	261	76	48	83
40	84	271	44	84	187	51	99	135	224	85	45	305	95	59	99
50	97	271	51	84	187	51	99	147	224	89	45	305	95	59	105
63	124	293	64	106	187	51	99	168	224	101	45	305	95	59	117

d (mm)	closest inch (inch)
16	3/8
20	1/2
25	3/4
32	1
40	1 1/4
50	1 1/2
63	2





DN10/15 - 50

**SYGEF Standard**  
**Ball valve type 232**  
**Function FC (Fail safe to close)**  
**With manual override**  
**With fixed flanges PVDF serrated metric**

**Model:**

- Material: PVDF
- Built on with pneumatic actuator PA11 (DN10/15-25), PA21 (DN32-50)
- Control time 90°(<) 1-2s
- For easy installation and removal
- Integrated stainless steel mounting inserts
- Connecting dimension: ISO 7005 / EN 1092 / DIN 25 PN10 / BS4504

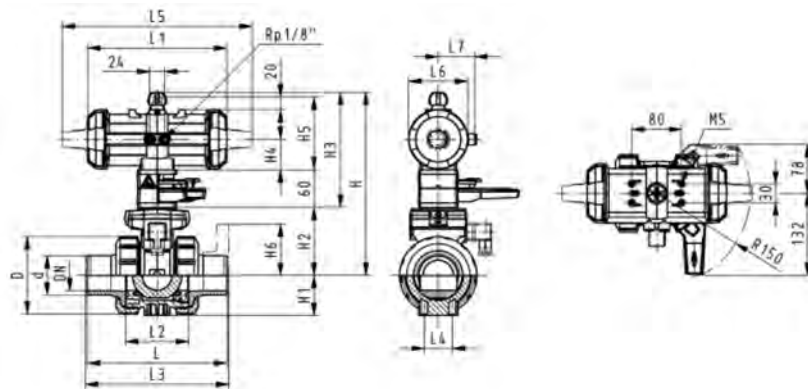
**Option:**

- Individual configuration of the valve (see diagram)

d (mm)	DN (mm)	Size (inch)	PN (bar)	kv-value ( $\Delta p=1$ bar) (l/min)	FPM Code	Weight (kg)
20	15	½	10	185	<b>199 232 003</b>	1.700
25	20	¾	10	350	<b>199 232 004</b>	1.900
32	25	1	10	700	<b>199 232 005</b>	2.100
40	32	1 ¼	10	1000	<b>199 232 006</b>	3.400
50	40	1 ½	10	1600	<b>199 232 007</b>	3.900
63	50	2	10	3100	<b>199 232 008</b>	5.000

d (mm)	D (mm)	H (mm)	H1 (mm)	H2 (mm)	H3 (mm)	H4 (mm)	H5 (mm)	H6 (mm)	L (mm)	L1 (mm)	L2 (mm)	L3 (mm)	L4 (mm)	L5 (mm)	L6 (mm)
20	50	230	27	62	168	40	77	48	124	194	56	130	25	261	76
25	58	239	30	71	168	40	77	53	144	194	65	150	25	261	76
32	68	239	36	71	168	40	77	58	154	194	71	160	25	261	76
40	84	271	44	84	187	51	99	70	174	224	85	180	45	305	95
50	97	271	51	84	187	51	99	75	194	224	89	200	45	305	95
63	124	293	64	106	187	51	99	83	224	224	101	230	45	305	95

d (mm)	L7 (mm)
20	48
25	48
32	48
40	59
50	59
63	59





DN10/15 - 50



DN10/15 - 50

**SYGEF Standard**  
**Ball valve type 232**  
**Function FC (Fail safe to close)**  
**With manual override**  
**With butt fusion spigots IR-Plus metric**

**Model:**

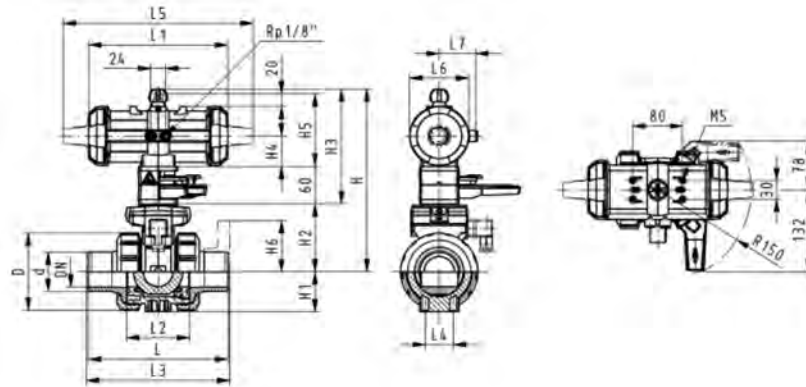
- Material: PVDF
- Built on with pneumatic actuator PA11 (DN10/15-25), PA21 (DN32-50)
- Control time 90° < 1-2s
- For easy installation and removal
- Integrated stainless steel mounting inserts

**Option:**

- Individual configuration of the valve (see diagram)

d (mm)	DN (mm)	PN (bar)	kv-value ( $\Delta p=1$ bar) (L/min)	FPM Code	Weight (kg)
20	15	10	185	199 232 713	1.200
25	20	10	350	199 232 714	1.300
32	25	10	700	199 232 715	1.566
40	32	10	1000	199 232 716	2.602
50	40	10	1600	199 232 717	2.887
63	50	10	3100	199 232 718	4.000

d (mm)	D (mm)	H (mm)	H1 (mm)	H2 (mm)	H3 (mm)	H4 (mm)	H5 (mm)	L (mm)	L1 (mm)	L2 (mm)	L4 (mm)	L5 (mm)	L6 (mm)	L7 (mm)	closest inch (inch)
20	50	230	27	62	168	40	77	130	194	56	25	261	76	48	½
25	58	239	30	71	168	40	77	143	194	65	25	261	76	48	¾
32	68	239	36	71	168	40	77	150	194	71	25	261	76	48	1
40	84	271	44	84	187	51	99	171	224	85	45	305	95	59	1 ¼
50	97	271	51	84	187	51	99	191	224	89	45	305	95	59	1 ½
63	124	293	64	106	187	51	99	220	224	101	45	305	95	59	2







DN10/15 - 50



DN10/15 - 50

**SYGEF Standard**  
**Ball valve type 232**  
**Function FC (Fail safe to close)**  
**With manual override**  
**With socket fusion spigots metric**

**Model:**

- Material: PVDF
- Built on with pneumatic actuator PA11 (DN10/15-25), PA21 (DN32-50)
- Control time 90°(<) 1-2s
- For easy installation and removal
- Integrated stainless steel mounting inserts

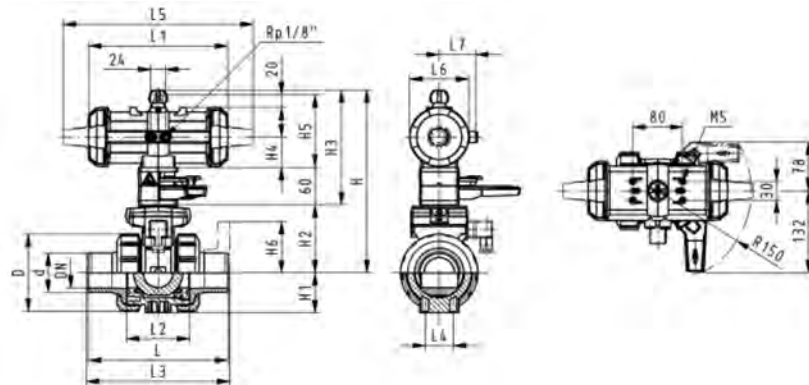
**Option:**

- Individual configuration of the valve (see diagram)

d (mm)	DN (mm)	PN (bar)	kv-value ( $\Delta p=1$ bar) (L/min)	FPM Code	Weight (kg)
16	10	10	70	199 232 032	1.500
20	15	10	185	199 232 033	1.304
25	20	10	350	199 232 034	1.439
32	25	10	700	199 232 035	1.700
40	32	10	1000	199 232 036	3.105
50	40	10	1600	199 232 037	3.100
63	50	10	3100	199 232 038	4.000

d (mm)	D (mm)	H (mm)	H1 (mm)	H2 (mm)	H3 (mm)	H4 (mm)	H5 (mm)	L (mm)	L1 (mm)	L2 (mm)	L3 (mm)	L4 (mm)	L5 (mm)	L6 (mm)	L7 (mm)
16	50	159	27	62	168	40	77	92	194	56	130	25	261	76	48
20	50	159	27	62	168	40	77	95	194	56	130	25	261	76	48
25	58	168	30	71	168	40	77	110	194	65	150	25	261	76	48
32	68	168	36	71	168	40	77	123	194	71	160	25	261	76	48
40	84	202	44	84	187	51	99	146	224	85	180	45	305	95	59
50	97	202	51	84	187	51	99	157	224	89	200	45	305	95	59
63	124	225	64	106	187	51	99	183	224	101	230	45	305	95	59

d (mm)	closest inch (inch)
16	3/8
20	1/2
25	3/4
32	1
40	1 1/4
50	1 1/2
63	2



# Butterfly valves electric



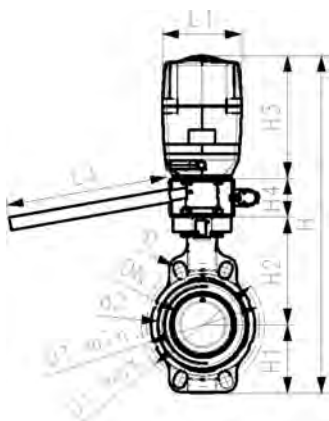
## SYGEF Standard Butterfly valve type 145 100-230V With manual override

### Model:

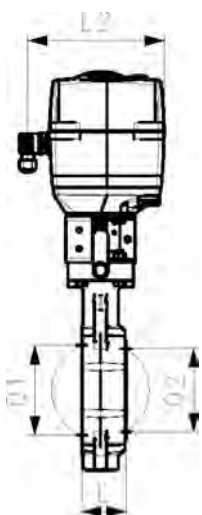
- Material: PVDF
- Voltage 100-230 V, 50-60 Hz
- Factory set control range 90°<
- Heating element, position feedback (Open/Close/ Middle)
- Overall length according to EN 558, ISO 5752 (DN50-200 line 25, DN250-300 line 16)
- Connecting dimension: ISO 7005 PN 10, EN 1092 PN 10, DIN 2501 PN 10, ANSI/ASME B 16.5 Class 150, BS 1560: 1989, BS 4504, JIS B 2220

### Option:

- Other valve and actuator configurations available
- Optional accessories: Fail-safe return unit, Monitoring board, Position controller, Profibus DP board



d (mm)	DN (mm)	Size (inch)	PN (bar)	kv-value ( $\Delta p=1$ bar) (L/min)	FPM Code	Weight (kg)
63	50	2	10	1470	199 145 562	5.718
75	65	2 ½	10	2200	199 145 563	5.830
90	80	3	10	3000	199 145 564	6.010
110	100	4	10	6500	199 145 565	6.662
140	125	5	10	11500	199 145 566	7.257
160	150	6	10	16600	199 145 567	8.477
225	200	8	10	39600	199 145 568	15.138



d (mm)	Actuator unit type	d2 (mm)	D (mm)	D1 min. (mm)	D1 max. (mm)	H (mm)	H1 (mm)	H2 (mm)	H3 (mm)	H4 (mm)	L (mm)	L1 (mm)	L2 (mm)	L3 (mm)
63	EA-45	104	19	120	125	475	77	134	188	75	45	122	180	250
75	EA-45	115	19	140	145	488	83	140	188	75	46	122	180	250
90	EA-120	131	19	150	160	488	89	146	188	60	49	122	180	250
110	EA-120	161	19	175	191	520	104	167	188	60	56	122	180	250
140	EA-120	187	23	210	216	547	117	181	188	60	64	122	180	250
160	EA-120	215	24	241	241	568	130	189	188	60	72	122	180	250
225	EA-250	267	23	290	295	635	158	210	208	60	73	122	180	250

d (mm)	Q1 (mm)	Q2 (mm)
63	40	
75	54	35
90	67	50
110	88	74
140	113	97
160	139	123
225	178	169



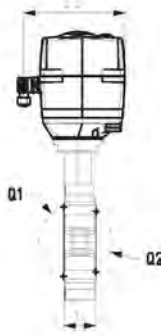
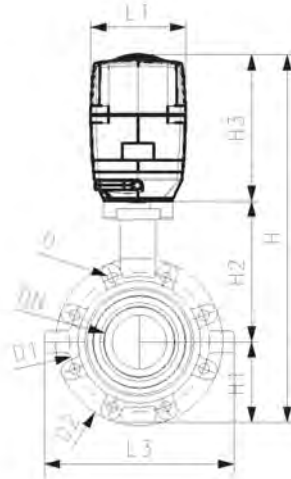
**SYGEF Standard**  
**Lugstyle butterfly valve type 146 100-230V**  
**Without manual override**

**Model:**

- Voltage 100-230 V, 50-60 Hz
- Factory set control range 90°<
- Heating element, position feedback (Open/Close/ Middle)
- Overall length according to EN 558, ISO 5752 (DN50-200 line 25, DN250-300 line 16)
- Connecting dimension: ISO 7005 PN10, EN 1092 PN10, DIN 2501 PN10

**Option:**

- Other valve and actuator configurations available
- Optional accessories: Fail-safe return unit, Monitoring board, Position controller, Profibus DP board



d (mm)	Size (inch)	DN (mm)	PN (bar)	kv-value ( $\Delta p=1$ bar) (l/min)	FPM Code	Weight (kg)
63	2	50	10	1470	<b>199 146 582</b>	4.299
75	2 ½	65	10	2200	<b>199 146 583</b>	4.456
90	3	80	10	3000	<b>199 146 584</b>	4.701
110	4	100	10	6500	<b>199 146 585</b>	5.606
140	5	125	10	11500	<b>199 146 586</b>	7.120
160	6	150	10	16600	<b>199 146 587</b>	8.881
225	8	200	10	39600	<b>199 146 588</b>	13.625
280	10	250	6	55200	<b>199 146 589</b>	24.385
315	12	300	4	80000	<b>199 146 590</b>	30.916

d (mm)	Actuator unit type	d2 (mm)	D (mm)	D1 (mm)	H (mm)	H1 (mm)	H2 (mm)	H3 (mm)	L (mm)	L1 (mm)	L2 (mm)	L3 (mm)	Q1 (mm)	Q2 (mm)
63	EA-45	160	M16	125	399	77	134	188	45	122	180	165	40	
75	EA-45	180	M16	145	411	83	140	188	46	122	180	182	54	35
90	EA-120	195	M16	160	423	89	146	188	49	122	180	210	67	50
110	EA-120	226	M16	180	461	106	167	188	56	122	180	240	88	74
140	EA-120	258	M16	210	490	121	181	188	64	122	180	272	113	97
160	EA-120	284	M20	240	510	133	189	188	72	122	180	300	139	123
225	EA-120	341	M20	295	577	159	210	208	73	122	180	360	178	169
280	EA-120	412	M20	350	677	205	164	208	113	122	180	440	210	207
315	EA-250	482	M20	400	727	234	285	208	113	122	180	510	256	253



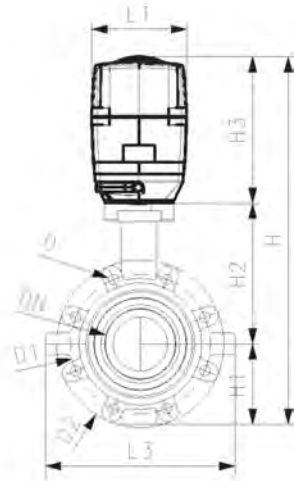
**SYGEF Standard**  
**Lugstyle butterfly valve type 147 100-230V**  
**Without manual override**

**Model:**

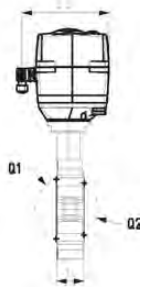
- Material: PVDF
- Voltage 100-230 V, 50-60 Hz
- Factory set control range 90°<
- Heating element, position feedback (Open/Close/ Middle)
- Overall length according to EN 558, ISO 5752 (DN50-200 line 25, DN250-300 line 16)
- Connecting dimension ANSI/ASME B 16.5 Class 150

**Option:**

- Other valve and actuator configurations available
- Optional accessories: Fail-safe return unit, Monitoring board, Position controller, Profibus DP board



d	Size	DN	PN	kv-value	FPM
(mm)	(inch)	(mm)	(bar)	( $\Delta p=1$ bar)	Code
(l/min)					
63	2	50	10	1470	<b>199 147 582</b>
75	2 ½	65	10	2200	<b>199 147 583</b>
90	3	80	10	3000	<b>199 147 584</b>
110	4	100	10	6500	<b>199 147 585</b>
140	5	125	10	11500	<b>199 147 586</b>
160	6	150	10	16600	<b>199 147 587</b>
225	8	200	10	39600	<b>199 147 588</b>
280	10	250	6	55200	<b>199 147 589</b>
315	12	300	4	80000	<b>199 147 590</b>



d	Size	Actuator	d2	D	H	H1	H2	H3	D1	L	L1	L2	L3	Q1
(mm)	(inch)	unit type	(mm)	(mm)	(mm)	(mm)	(mm)	(mm)	(mm)	(mm)	(mm)	(mm)	(mm)	(mm)
63	2	EA-45	150	UNC 5/8	399	77	134	188	139.7	45	122	180	150	40
75	2 ½	EA-45	170	UNC 5/8	411	83	140	188	120.6	46	122	180	160	54
90	3	EA-120	177	UNC 5/8	423	89	146	188	152.4	49	122	180	175	67
110	4	EA-120	216	UNC 5/8	459	104	167	188	190.5	56	122	180	244	88
140	5	EA-120	246	UNC 3/4	486	117	181	188	215.9	64	122	180	272	113
160	6	EA-120	273	UNC 3/4	507	130	189	188	241.3	72	122	180	297	139
225	8	EA-250	334	UNC 3/4	576	158	210	208	298.4	73	122	180	360	178
280	10	EA-250	412	UNC 7/8	677	205	264	208	362.0	113	122	180	440	210
315	12	EA-250	482	UNC 7/8	727	234	285	208	431.8	113	122	180	510	256

d	Size	Q2
(mm)	(inch)	(mm)
63	2	
75	2 ½	35
90	3	50
110	4	74
140	5	97
160	6	123
225	8	169
280	10	207
315	12	253

# Butterfly valves pneumatic

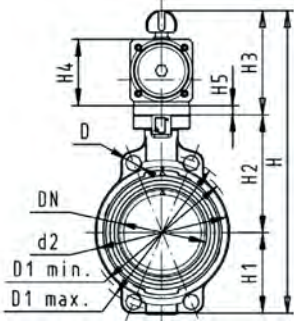


## SYGEF Standard Butterfly valve type 240 FC (Fail safe to close) Without manual override

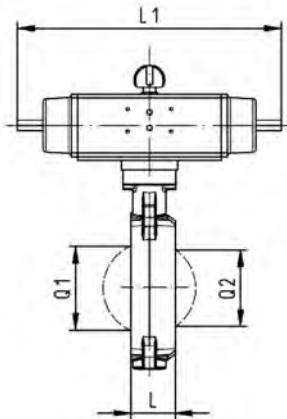
### Model:

- Material: PVDF
- Control range 90°<
- Overall length according to EN 558, ISO 5752
- Connecting dimension: ISO 7005 PN 10, EN 1092 PN 10, DIN 2501 PN 10, ANSI/ASME B 16.5 Class 150, BS 1560: 1989, BS 4504, JIS B 2220

d (mm)	Size (inch)	DN (mm)	PN (bar)	kv-value ( $\Delta p=1$ bar) (l/min)	FPM Code	Weight (kg)	PTFE Code	Weight (kg)
63	2	50	10	1470	199 240 462	3.758	199 240 522	3.258
75	2 ½	65	10	2200	199 240 463	3.173	199 240 523	3.370
90	3	80	10	3000	199 240 464	3.550	199 240 524	3.550
110	4	100	10	6500	199 240 465	5.439	199 240 525	5.400
140	5	125	10	11500	199 240 466	6.997	199 240 526	6.997
160	6	150	10	16600	199 240 467	10.538	199 240 527	10.538
225	8	200	10	39600	199 240 468	15.138	199 240 528	15.138
280	10	250	10	55200	199 240 469	29.670	199 240 529	32.529
315	12	300	10	80000	199 240 470	38.156	199 240 530	38.156



d (mm)	Actuator unit type	d2 (mm)	D (mm)	D1 min. (mm)	D1 max. (mm)	H (mm)	H1 (mm)	H2 (mm)	H3 (mm)	H4 (mm)	H5 (mm)	L (mm)	L1 (mm)
63	PA-30 FC	104	19	120	125	327	77	134	117	70	15	45	276
75	PA-30 FC	115	19	140	145	340	83	140	117	70	15	46	276
90	PA-35 FC	131	19	150	160	361	89	146	126	78	15	49	326
110	PA-40 FC	161	19	175	191	400	104	167	129	86		56	370
140	PA-45 FC	187	23	210	216	436	117	181	139	96		64	411
160	PA-50 FC	215	24	241	241	468	130	189	149	106		72	423
225	PA-55 FC	267	23	290	295	529	158	210	161	118		73	452
280	PA-65 FC	329	25	353	362	808	205	264	191	148		113	648
315	PA-70 FC	379	25	400	432	866	228	285	196	157		113	663



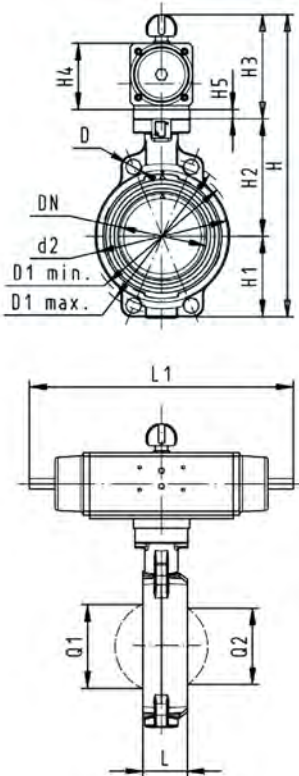
d (mm)	L2 (mm)	Q1 (mm)	Q2 (mm)
63	65	40	
75	65	54	35
90	72	67	50
110	80	88	74
140	90	113	97
160	100	139	123
225	112	178	169
280	137	210	207
315	145	256	253



**SYGEF Standard**  
**Butterfly valve type 240**  
**FO (Fail safe to open)**  
**Without manual override**

**Model:**

- Material: PVDF
- Control range 90°<
- Overall length according to EN 558, ISO 5752
- Connecting dimension: ISO 7005 PN 10, EN 1092 PN 10, DIN 2501 PN 10, ANSI/ASME B 16.5 Class 150, BS 1560: 1989, BS 4504, JIS B 2220



d	Size	DN	PN	kv-value	FPM	Weight	PTFE	Weight
(mm)	(inch)	(mm)	(bar)	( $\Delta p=1$ bar)	Code	(kg)	Code	(kg)
63	2	50	10	1470	<b>199 240 482</b>	3.258	<b>199 240 542</b>	3.258
75	2 ½	65	10	2200	<b>199 240 483</b>	3.370	<b>199 240 543</b>	3.370
90	3	80	10	3000	<b>199 240 484</b>	3.550	<b>199 240 544</b>	3.550
110	4	100	10	6500	<b>199 240 485</b>	5.422	<b>199 240 545</b>	5.400
140	5	125	10	11500	<b>199 240 486</b>	6.997	<b>199 240 546</b>	6.997
160	6	150	10	16600	<b>199 240 487</b>	10.538	<b>199 240 547</b>	10.538
225	8	200	10	39600	<b>199 240 488</b>	15.138	<b>199 240 548</b>	15.000
280	10	250	10	55200	<b>199 240 489</b>	32.529	<b>199 240 549</b>	32.529
315	12	300	10	80000	<b>199 240 490</b>	37.419	<b>199 240 550</b>	37.419

d	Actuator unit	d2	D	D1	D1	H	H1	H2	H3	H4	H5	L	L1
(mm)	type	(mm)	(mm)	min.	max.	(mm)	(mm)	(mm)	(mm)	(mm)	(mm)	(mm)	(mm)
63	PA-30 FO	104	19	120	125	327	77	134	117	70	15	45	276
75	PA-30 FO	115	19	140	145	340	83	140	117	70	15	46	276
90	PA-35 FO	131	19	150	160	361	89	146	126	78	15	49	326
110	PA-40 FO	161	19	175	191	400	104	167	129	86		56	370
140	PA-45 FO	187	23	210	216	436	117	181	139	96		64	411
160	PA-50 FO	215	24	241	241	468	130	189	149	106		72	423
225	PA-55 FO	267	23	290	295	529	158	210	161	118		73	452
280	PA-70 FO	329	25	353	362	808	205	264	191	148		113	648
315	PA-70 FO	379	25	400	432	866	228	285	196	157		113	663

d	L2	Q1	Q2
(mm)	(mm)	(mm)	(mm)
63	65	40	
75	65	54	35
90	72	67	50
110	80	88	74
140	90	113	97
160	100	139	123
225	112	178	169
280	137	210	207
315	145	256	253



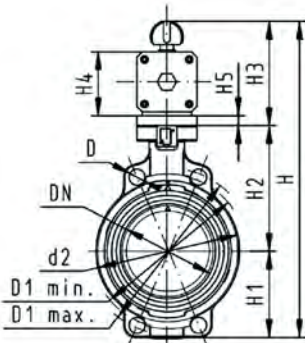


**SYGEF Standard**  
**Butterfly valve type 240**  
**DA (Double acting)**  
**Without manual override**

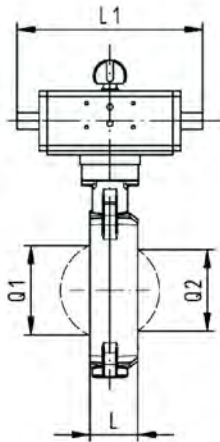
**Model:**

- Material: PVDF
- Control range 90°<
- Overall length according to EN 558, ISO 5752
- Connecting dimension: ISO 7005 PN 10, EN 1092 PN 10, DIN 2501 PN 10, ANSI/ASME B 16.5 Class 150, BS 1560: 1989, BS 4504, JIS B 2220

d (mm)	Size (inch)	DN (mm)	PN (bar)	kv-value ( $\Delta p=1$ bar) (l/min)	FPM Code	Weight (kg)	PTFE Code	Weight (kg)
63	2	50	10	1470	<b>199 240 502</b>	2.368	<b>199 240 562</b>	2.108
75	2 ½	65	10	2200	<b>199 240 503</b>	2.488	<b>199 240 563</b>	2.220
90	3	80	10	3000	<b>199 240 504</b>	2.970	<b>199 240 564</b>	2.881
110	4	100	10	6500	<b>199 240 505</b>	3.987	<b>199 240 565</b>	3.652
140	5	125	10	11500	<b>199 240 506</b>	4.247	<b>199 240 566</b>	4.247
160	6	150	10	16600	<b>199 240 507</b>	7.017	<b>199 240 567</b>	7.017
225	8	200	10	39600	<b>199 240 508</b>	9.138	<b>199 240 568</b>	9.138
280	10	250	10	55200	<b>199 240 509</b>	20.233	<b>199 240 569</b>	20.233
315	12	300	10	80000	<b>199 240 510</b>	28.223	<b>199 240 570</b>	28.223



d (mm)	Actuator unit type	d2 (mm)	D (mm)	D1 min. (mm)	D1 max. (mm)	H (mm)	H1 (mm)	H2 (mm)	H3 (mm)	H4 (mm)	H5 (mm)	L (mm)	L1 (mm)
63	PA-35 DA	104	19	120	125	317	77	134	107	60	15	45	177
75	PA-35 DA	115	19	140	145	330	83	140	107	60	15	46	177
90	PA-40 DA	131	19	150	160	348	89	146	113	66	15	49	190
110	PA-45 DA	161	19	175	191	372	104	167	102	71		56	235
140	PA-45 DA	187	23	210	216	408	117	181	111	78		64	235
160	PA-55 DA	215	24	241	241	448	130	189	129	86		72	279
225	PA-55 DA	267	23	290	295	507	158	210	139	96		73	279
280	PA-65 DA	329	25	353	362	748	205	264	161	118		113	350
315	PA-70 DA	379	25	400	432	816	228	285	173	130		113	381



d (mm)	L2 (mm)	Q1 (mm)	Q2 (mm)
63	55	40	
75	55	54	35
90	60	67	50
110	65	88	74
140	72	113	97
160	80	139	123
225	90	178	169
280	112	210	207
315	125	256	253



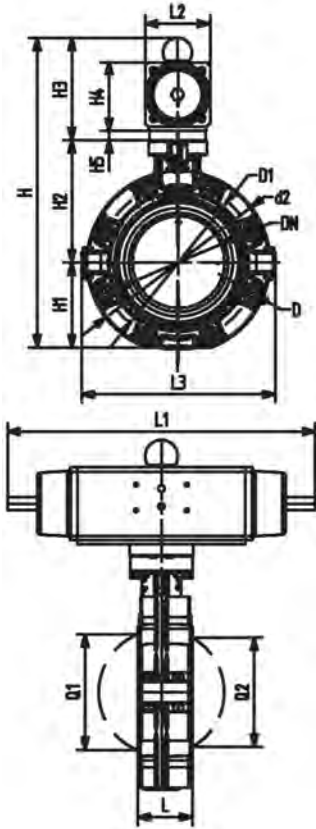
**SYGEF Standard**  
**Lugstyle butterfly valve type 243**  
**FC (Fail safe to close)**  
**Without manual override**

**Model:**

- Housing material: PP-GF30 with SS316 lug-inserts
- Control range 90°<
- Overall length according to EN 558, ISO 5752 (DN50 - 200 line 25, DN250 - 300 line 10)
- Connecting dimension: ISO 7005 PN10, EN 1092 PN10, DIN 2501 PN10

**Option:**

- Optional accessory: Valve-Integrated position feedback with limit switches (limit switches have to be ordered separately)



d (mm)	Size (inch)	DN (mm)	PN (bar)	kv-value ( $\Delta p=1$ bar) (l/min)	FPM Code	Weight (kg)
63	2	50	10	1470	<b>199 243 462</b>	3.499
75	2 ½	65	10	2200	<b>199 243 463</b>	3.656
90	3	80	10	3000	<b>199 243 464</b>	4.692
110	4	100	10	6500	<b>199 243 465</b>	6.406
140	5	125	10	11500	<b>199 243 466</b>	9.222
160	6	150	10	16600	<b>199 243 467</b>	12.902
225	8	200	10	39600	<b>199 243 468</b>	16.691
280	10	250	10	55200	<b>199 243 469</b>	33.880
315	12	300	10	80000	<b>199 243 470</b>	43.985

d (mm)	Actuator unit type	d2 (mm)	D (mm)	D1 (mm)	H (mm)	H1 (mm)	H2 (mm)	H3 (mm)	H4 (mm)	H5 (mm)	L (mm)	L1 (mm)	L2 (mm)	L3 (mm)
63	PA-30 FC	160	M16	125	399	77	134	117	70	15	45	276	65	165
75	PA-30 FC	180	M16	145	340	83	140	117	70	15	46	276	65	182
90	PA-35 FC	195	M16	160	361	89	146	126	78	15	49	326	72	210
110	PA-40 FC	226	M16	180	402	106	167	129	86		56	370	80	240
140	PA-45 FC	258	M16	210	441	121	181	139	96		64	411	90	272
160	PA-50 FC	284	M20	240	471	133	189	149	106		72	423	100	300
225	PA-55 FC	341	M20	295	530	159	210	161	118		73	452	112	360
280	PA-65 FC	412	M20	350	660	205	264	191	148		113	648	137	440
315	PA-70 FC	482	M20	400	715	234	285	196	157		113	663	145	510

d (mm)	Q1 (mm)	Q2 (mm)
63	40	
75	54	35
90	67	50
110	88	74
140	113	97
160	139	123
225	178	169
280	210	207
315	256	253



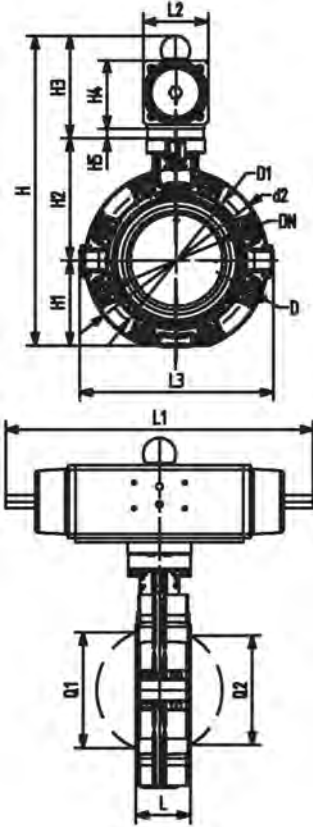
**SYGEF Standard**  
**Lugstyle butterfly valve type 243**  
**FO (Fail safe to open)**  
**Without manual override**

**Model:**

- Housing material: PP-GF30 with SS316 lug-inserts
- Control range 90°<
- Overall length according to EN 558, ISO 5752 (DN50 - 200 line 25, DN250 - 300 line 10)
- Connecting dimension: ISO 7005 PN10, EN 1092 PN10, DIN 2501 PN10

**Option:**

- Optional accessory: Valve-Integrated position feedback with limit switches (limit switches have to be ordered separately)



d	Size	DN	PN	kv-value	FPM	Weight
(mm)	(inch)	(mm)	(bar)	( $\Delta p=1$ bar)	Code	(kg)
				(l/min)		
63	2	50	10	1470	<b>199 243 482</b>	3.499
75	2 ½	65	10	2200	<b>199 243 483</b>	3.656
90	3	80	10	3000	<b>199 243 484</b>	4.692
110	4	100	10	6500	<b>199 243 485</b>	6.406
140	5	125	10	11500	<b>199 243 486</b>	9.222
160	6	150	10	16600	<b>199 243 487</b>	12.902
225	8	200	10	39600	<b>199 243 488</b>	16.691
280	10	250	10	55200	<b>199 243 489</b>	33.880
315	12	300	10	80000	<b>199 243 490</b>	43.985

d	Actuator unit	d2	D	D1	H	H1	H2	H3	H4	H5	L	L1	L2	L3
(mm)	type	(mm)	(mm)	(mm)	(mm)	(mm)	(mm)	(mm)	(mm)	(mm)	(mm)	(mm)	(mm)	(mm)
63	PA-30 FO	160	M16	125	328	77	134	117	70	15	45	276	65	165
75	PA-30 FO	180	M16	145	340	83	140	117	70	15	46	276	65	182
90	PA-35 FO	195	M16	160	361	89	146	126	78	15	49	326	72	210
110	PA-40 FO	226	M16	180	402	106	167	129	86		56	370	80	240
140	PA-45 FO	258	M16	210	441	121	181	139	96		64	411	90	272
160	PA-50 FO	284	M20	240	471	133	189	149	106		72	423	100	300
225	PA-55 FO	341	M20	295	530	159	210	161	118		73	452	112	360
280	PA-70 FO	412	M20	350	660	205	264	191	148		113	648	137	440
315	PA-70 FO	482	M20	400	715	234	285	196	157		113	663	145	510

d	Q1	Q2
(mm)	(mm)	(mm)
63	40	
75	54	35
90	67	50
110	88	74
140	113	97
160	139	123
225	178	169
280	210	207
315	256	253



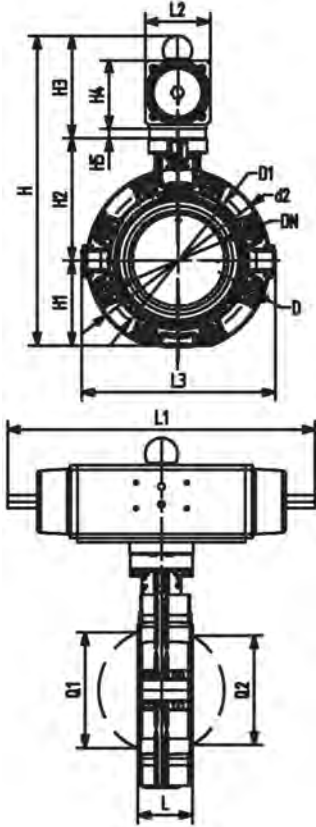
**SYGEF Standard**  
**Lugstyle butterfly valve type 243**  
**DA (Double acting)**  
**Without manual override**

**Model:**

- Housing material: PP-GF30 with SS316 lug-inserts
- Control range 90°<
- Overall length according to EN 558, ISO 5752 (DN50 - 200 line 25, DN250 - 300 line 10)
- Connecting dimension: ISO 7005 PN10, EN 1092 PN10, DIN 2501 PN10

**Option:**

- Optional accessory: Valve-Integrated position feedback with limit switches (limit switches have to be ordered separately)



d (mm)	Size (inch)	DN (mm)	PN (bar)	kv-value (Δp=1 bar) (l/min)	FPM Code	Weight (kg)
63	2	50	10	1470	<b>199 243 502</b>	3.499
75	2 ½	65	10	2200	<b>199 243 503</b>	3.656
90	3	80	10	3000	<b>199 243 504</b>	4.692
110	4	100	10	6500	<b>199 243 505</b>	6.406
140	5	125	10	11500	<b>199 243 506</b>	9.222
160	6	150	10	16600	<b>199 243 507</b>	12.902
225	8	200	10	39600	<b>199 243 508</b>	16.691
280	10	250	10	55200	<b>199 243 509</b>	33.880
315	12	300	10	80000	<b>199 243 510</b>	43.985

d (mm)	Actuator unit type	d2 (mm)	D (mm)	D1 (mm)	H (mm)	H1 (mm)	H2 (mm)	H3 (mm)	H4 (mm)	H5 (mm)	L (mm)	L1 (mm)	L2 (mm)	L3 (mm)
63	PA-35 DA	160	M16	125	318	77	134	107	60	15	45	177	55	165
75	PA-35 DA	180	M16	145	330	83	140	107	60	15	46	177	55	182
90	PA-40 DA	195	M16	160	348	89	146	113	66	15	49	190	60	210
110	PA-45 DA	226	M16	180	384	106	167	111	78		56	235	72	240
140	PA-45 DA	258	M16	210	413	121	181	111	78		64	235	72	272
160	PA-55 DA	284	M20	240	461	133	189	139	96		72	279	90	300
225	PA-55 DA	341	M20	295	508	159	210	139	96		73	279	90	360
280	PA-65 DA	412	M20	350	630	205	264	161	118		113	350	112	440
315	PA-70 DA	482	M20	400	692	234	285	173	130		113	381	124	510

d (mm)	Q1 (mm)	Q2 (mm)
63	40	
75	54	35
90	67	50
110	88	74
140	113	97
160	139	123
225	178	169
280	210	207
315	256	253



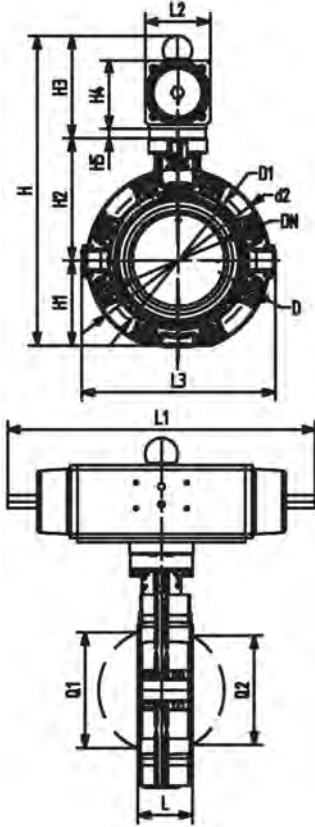
**SYGEF Standard**  
**Lugstyle butterfly valve type 244 ANSI**  
**FC (Fail safe to close)**  
**Without manual override**

**Model:**

- Housing material: PP-GF30 with SS316 lug-inserts
- Control range 90°<
- Overall length according to EN 558, ISO 5752 (DN50 - 200 line 25, DN250 - 300 line 10)
- Connecting dimension ANSI/ASME B 16.5 Class 150

**Option:**

- Optional accessory: Valve-Integrated position feedback with limit switches (limit switches have to be ordered separately)



d	Size	DN	PN	kv-value	FPM	Weight
(mm)	(inch)	(mm)	(bar)	( $\Delta p=1$ bar)	Code	(kg)
				(l/min)		
63	2	50	10	1470	<b>199 244 462</b>	
75	2 ½	65	10	2200	<b>199 244 463</b>	
90	3	80	10	3000	<b>199 244 464</b>	
110	4	100	10	6500	<b>199 244 465</b>	
140	5	125	10	11500	<b>199 244 466</b>	
160	6	150	10	16600	<b>199 244 467</b>	12.902
225	8	200	10	39600	<b>199 244 468</b>	
280		250	10	55200	<b>199 244 469</b>	
315		300	10	80000	<b>199 244 470</b>	

Actuator unit type	d2	D	D1	H	H1	H2	H3	H4	H5	L	L1	L2	L3
	(mm)		(mm)	(mm)	(mm)	(mm)	(mm)	(mm)	(mm)	(mm)	(mm)	(mm)	(mm)
PA-30 FC	160	UNC 5/8	120.6	328	77	134	117	70	15	45	276	65	165
PA-30 FC	180	UNC 5/8	139.7	340	83	140	117	70	15	46	276	65	182
PA-35 FC	195	UNC 5/8	152.4	361	89	146	126	78	15	49	326	72	210
PA-40 FC	226	UNC 5/8	190.5	402	106	167	129	86		56	370	80	240
PA-45 FC	258	UNC 3/4	215.9	441	121	181	139	96		64	411	90	272
PA-50 FC	284	UNC 3/4	241.3	471	133	189	149	106		72	423	100	300
PA-55 FC	341	UNC 3/4	298.4	530	159	210	161	118		73	452	112	360
PA-65 FC	412	UNC 3/4	362.0	660	205	264	191	148		113	648	137	440
PA-70 FC	482	UNC 3/4	431.8	715	234	285	196	157		113	663	145	510

Q1	Q2
(mm)	(mm)
40	
54	35
67	50
88	74
113	97
139	123
178	169
210	207
256	253



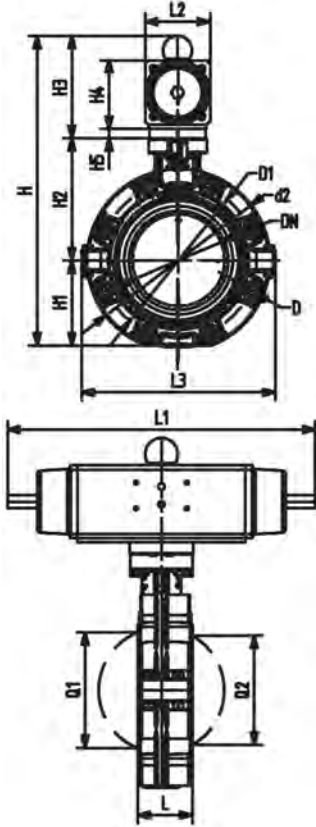
**SYGEF Standard**  
**Lugstyle butterfly valve type 244 ANSI**  
**FO (Fail safe to open)**  
**Without manual override**

**Model:**

- Housing material: PP-GF30 with SS316 lug-inserts
- Control range 90°<
- Overall length according to EN 558, ISO 5752 (DN50 - 200 line 25, DN250 - 300 line 10)
- Connecting dimension ANSI/ASME B 16.5 Class 150

**Option:**

- Optional accessory: Valve-Integrated position feedback with limit switches (limit switches have to be ordered separately)



d	Size	DN	PN	kv-value	FPM	Weight
(mm)	(inch)	(mm)	(bar)	( $\Delta p=1$ bar)	Code	(kg)
				(l/min)		
63	2	50	10	1470	<b>199 244 482</b>	3.499
75	2 ½	65	10	2200	<b>199 244 483</b>	3.656
90	3	80	10	3000	<b>199 244 484</b>	4.692
110	4	100	10	6500	<b>199 244 485</b>	6.406
140	5	125	10	11500	<b>199 244 486</b>	9.222
160	6	150	10	16600	<b>199 244 487</b>	12.902
225	8	200	10	39600	<b>199 244 488</b>	16.691
280	10	250	10	55200	<b>199 244 489</b>	33.880
315	12	300	10	80000	<b>199 244 490</b>	43.985

Actuator unit type	d2	D	D1	H	H1	H2	H3	H4	H5	L	L1	L2	L3
	(mm)		(mm)	(mm)	(mm)	(mm)	(mm)	(mm)	(mm)	(mm)	(mm)	(mm)	(mm)
PA-30 FO	160	UNC 5/8	120.6	328	77	134	117	70	15	45	276	65	165
PA-30 FO	180	UNC 5/8	139.7	340	83	140	117	70	15	46	276	65	182
PA-35 FO	195	UNC 5/8	152.4	361	89	146	126	78	15	49	326	72	210
PA-40 FO	226	UNC 5/8	190.5	402	106	167	129	86		56	370	80	240
PA-45 FO	258	UNC 3/4	215.9	441	121	181	139	96		64	411	90	272
PA-50 FO	284	UNC 3/4	241.3	471	133	189	149	106		72	423	100	300
PA-55 FO	341	UNC 3/4	298.4	530	159	210	161	118		73	452	112	360
PA-70 FO	412	UNC 3/4	362.0	660	205	264	191	148		113	648	137	440
PA-70 FO	482	UNC 3/4	431.8	715	234	285	196	157		113	663	145	510

Q1	Q2
(mm)	(mm)
40	
54	35
67	50
88	74
113	97
139	123
178	169
210	207
256	253





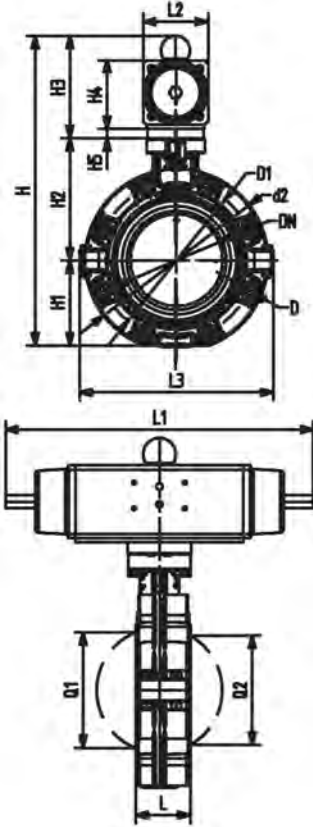
**SYGEF Standard**  
**Lugstyle butterfly valve type 244 ANSI**  
**DA (Double acting)**  
**Without manual override**

**Model:**

- Housing material: PP-GF30 with SS316 lug-inserts
- Control range 90°<
- Overall length according to EN 558, ISO 5752 (DN50 - 200 line 25, DN250 - 300 line 10)
- Connecting dimension ANSI/ASME B 16.5 Class 150

**Option:**

- Optional accessory: Valve-Integrated position feedback with limit switches (limit switches have to be ordered separately)



d	Size	DN	PN	kv-value	FPM	Weight
(mm)	(inch)	(mm)	(bar)	( $\Delta p=1$ bar)	Code	(kg)
				(l/min)		
63	2	50	10	1470	<b>199 244 502</b>	4.198
75	2 ½	65	10	2200	<b>199 244 503</b>	4.561
90	3	80	10	3000	<b>199 244 504</b>	5.470
110	4	100	10	6500	<b>199 244 505</b>	7.750
140	5	125	10	11500	<b>199 244 506</b>	9.731
160	6	150	10	16600	<b>199 244 507</b>	13.500
225	8	200	10	39600	<b>199 244 508</b>	19.114
280	10	250	10	55200	<b>199 244 509</b>	
315	12	300	10	80000	<b>199 244 510</b>	

Actuator unit type	d2	D	D1	H	H1	H2	H3	H4	H5	L	L1	L2	L3
	(mm)		(mm)	(mm)	(mm)	(mm)	(mm)	(mm)	(mm)	(mm)	(mm)	(mm)	(mm)
PA-35 DA	160	UNC 5/8	120.6	318	77	134	107	60	15	45	177	55	165
PA-35 DA	180	UNC 5/8	139.7	330	83	140	107	60	15	46	177	55	182
PA-40 DA	195	UNC 5/8	152.4	348	89	146	113	66	15	49	190	60	210
PA-45 DA	226	UNC 5/8	190.5	384	106	167	111	78		56	235	72	240
PA-45 DA	258	UNC 3/4	215.9	413	121	181	111	78		64	235	72	272
PA-55 DA	284	UNC 3/4	241.3	461	133	189	139	96		72	279	90	300
PA-55 DA	341	UNC 3/4	298.4	508	159	210	139	96		73	279	90	360
PA-65 DA	412	UNC 3/4	362.0	630	205	264	161	118		113	350	112	440
PA-70 DA	482	UNC 3/4	431.8	692	234	285	173	130		113	381	124	510

Q1	Q2
(mm)	(mm)
40	
54	35
67	50
88	74
113	97
139	123
178	169
210	207
256	253

# Diaphragm valves pneumatic



## SYGEF Standard Diaphragm valve DIASTAR Ten FC (Fail safe to close) Unions with fusion sockets metric

### Model:

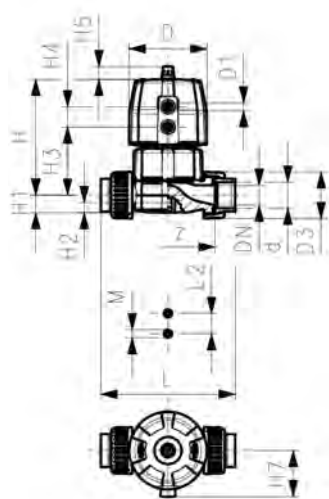
- Material: PVDF
- Double flow rate compared to predecessor
- One housing nut replaces four screws
- Rotating air connection at 90° intervals
- For easy installation and removal
- Short overall length

### Option:

- Individual configuration of the valve (see diagram)
- Comprehensive range of accessories available

\* PN: PTFE

Working Pressure: **one side**



d (mm)	DN (mm)	PN* (bar)	kv-value ( $\Delta p=1$ bar) (L/min)	PTFE/EPDM Code	Weight (kg)	PTFE/FPM Code	Weight (kg)
20	15	10/10*	125	<b>185 624 032</b>	0.611	<b>185 624 052</b>	0.611
25	20	10/10*	271	<b>185 624 033</b>	1.216	<b>185 624 053</b>	1.216
32	25	10/10*	481	<b>185 624 034</b>	1.565	<b>185 624 054</b>	1.565
40	32	10/10*	759	<b>185 624 035</b>	2.489	<b>185 624 055</b>	2.489
50	40	10/10*	1263	<b>185 624 036</b>	4.266	<b>185 624 056</b>	4.266
63	50	10/6*	1728	<b>185 624 037</b>	5.358	<b>185 624 057</b>	5.358

d (mm)	D (mm)	D1_G (inch)	H (mm)	H1 (mm)	H2 (mm)	H3 (mm)	H4 (mm)	H5 (mm)	H7 (mm)	L (mm)	L2 (mm)	M	z (mm)	Lift = Hx (mm)
20	68	1/8	101	14	12	60	24	16	43	128	25	M6	100	7
25	96	1/8	132	18	12	73	25	16	57	150	25	M6	118	10
32	96	1/8	143	22	12	84	25	16	57	162	25	M6	126	13
40	120	1/8	173	26	15	99	26	26	69	184	45	M8	144	15
50	150	1/8	214	32	15	119	36	26	88	210	45	M8	164	19
63	150	1/8	226	39	15	132	36	26	88	248	45	M8	194	23

d (mm)	closest inch (inch)
20	1/2
25	3/4
32	1
40	1 1/4
50	1 1/2
63	2



**SYGEF Standard**  
**Diaphragm valve DIASTAR Ten**  
**FC (Fail safe to close)**  
**Unions with butt fusion spigots metric**

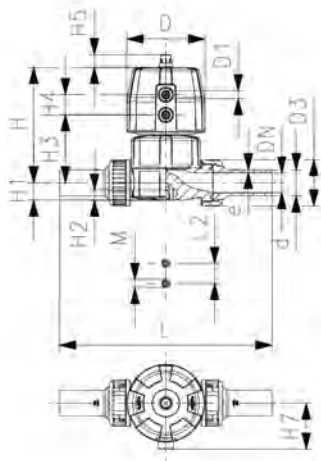
**Model:**

- Material: PVDF
- Double flow rate compared to predecessor
- One housing nut replaces four screws
- Rotating air connection at 90° intervals
- For easy installation and removal
- Short overall length

**Option:**

- Individual configuration of the valve (see diagram)
- Comprehensive range of accessories available

Working Pressure: **one side**



d (mm)	DN (mm)	PN (bar)	kv-value ( $\Delta p=1$ bar) (l/min)	PTFE/EPDM Code	Weight (kg)	PTFE/FPM Code	Weight (kg)
20	15	10	125	<b>185 624 132</b>	0.630	<b>185 624 152</b>	1.100
25	20	10	271	<b>185 624 133</b>	1.405	<b>185 624 153</b>	1.760
32	25	10	481	<b>185 624 134</b>	1.515	<b>185 624 154</b>	2.610
40	32	10	759	<b>185 624 135</b>	2.570	<b>185 624 155</b>	3.760
50	40	10	1263	<b>185 624 136</b>	4.697	<b>185 624 156</b>	6.220
63	50	6	1728	<b>185 624 137</b>	5.327	<b>185 624 157</b>	7.800

d (mm)	D (mm)	D1_G (inch)	H (mm)	H1 (mm)	H2 (mm)	H3 (mm)	H4 (mm)	H5 (mm)	H7 (mm)	L (mm)	L2 (mm)	M	e (mm)	Lift = Hx (mm)
20	68	1/8	101	14	12	60	24	16	43	196	25	M6	2	7
25	96	1/8	132	18	12	73	25	16	57	221	25	M6	2	10
32	96	1/8	143	22	12	84	25	16	57	234	25	M6	2	13
40	120	1/8	173	26	15	99	26	26	69	260	45	M8	2	15
50	150	1/4	214	32	15	119	36	26	88	284	45	M8	3	19
63	150	1/4	226	39	15	132	36	26	88	321	45	M8	3	23

d (mm)	closest inch (inch)
20	1/2
25	3/4
32	1
40	1 1/4
50	1 1/2
63	2



**SYGEF Standard**  
**Diaphragm valve DIASTAR Ten**  
**FC (Fail safe to close)**  
**With backing flanges PP-V Inch ANSI**

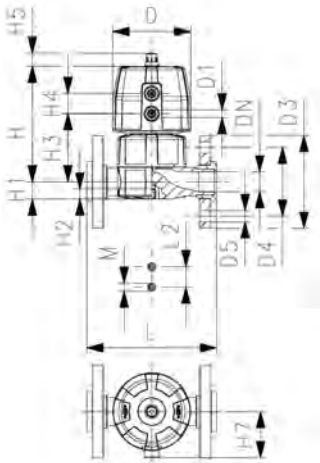
**Model:**

- Material: PVDF
- Double flow rate compared to predecessor
- One housing nut replaces four screws
- Rotating air connection at 90° intervals
- Joining faces flat/serrated
- Overall length EN 558
- Connecting dimension: ANSI/ASME B 16.5 class 150, ASTM D 4024, BS 1560, BS EN 1759

**Option:**

- Individual configuration of the valve (see diagram)
- Comprehensive range of accessories available

Working Pressure: **one side**



Size (inch)	DN (mm)	PN (bar)	kv-value ( $\Delta p=1$ bar) (l/min)	PTFE/EPDM Code	Weight (kg)	PTFE/FPM Code	Weight (kg)
½	15	10	125	<b>185 627 732</b>	0.870	<b>185 627 752</b>	0.870
¾	20	10	271	<b>185 627 733</b>	1.473	<b>185 627 753</b>	1.473
1	25	10	481	<b>185 627 734</b>	1.791	<b>185 627 754</b>	1.791
1 ¼	32	10	759	<b>185 627 735</b>	2.854	<b>185 627 755</b>	2.854
1 ½	40	10	1263	<b>185 627 736</b>	4.481	<b>185 627 756</b>	4.481
2	50	6	1728	<b>185 627 737</b>	5.762	<b>185 627 757</b>	5.762

Size (inch)	D (mm)	D1_G (inch)	D3 (mm)	D4 (mm)	D5 (mm)	H (mm)	H1 (mm)	H2 (mm)	H3 (mm)	H4 (mm)	H5 (mm)	H7 (mm)	L (mm)	L2 (mm)	M
½	68	¾	95	60	16	101	14	12	60	24	16	43	130	25	M6
¾	96	¾	105	70	16	132	18	12	73	25	16	57	150	25	M6
1	96	¾	115	79	16	143	22	12	84	25	16	69	160	25	M6
1 ¼	120	¾	140	89	16	173	26	15	99	26	26	69	180	45	M8
1 ½	150	¾	150	98	16	193	32	15	119	36	26	88	200	45	M8
2	150	¾	165	121	19	205	39	15	132	36	26	88	230	45	M8

Size (inch)	Lift = Hx (mm)
½	7
¾	10
1	13
1 ¼	15
1 ½	19
2	23



**SYGEF Standard**  
**Diaphragm valve DIASTAR Ten**  
**FC (Fail safe to close)**  
**With backing flanges PP-V metric/BS**

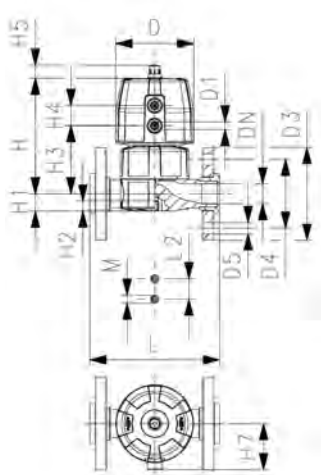
**Model:**

- Material: PVDF
- Double flow rate compared to predecessor
- One housing nut replaces four screws
- Rotating air connection at 90° intervals
- Joining faces flat/serrated
- Overall length EN 558
- Connecting dimension: ISO 7005 PN 10, EN 1092 PN 10, DIN 2501 PN 10, BS 4504 PN 10

**Option:**

- Individual configuration of the valve (see diagram)
- Comprehensive range of accessories available

Working Pressure: **one side**



d (mm)	DN (mm)	PN (bar)	kv-value ( $\Delta p=1$ bar) (l/min)	PTFE/EPDM Code	Weight (kg)	PTFE/FPM Code	Weight (kg)
20	15	10	125	<b>185 627 132</b>	0.754	<b>185 627 152</b>	0.754
25	20	10	271	<b>185 627 133</b>	1.473	<b>185 627 153</b>	1.473
32	25	10	481	<b>185 627 134</b>	1.699	<b>185 627 154</b>	1.699
40	32	10	759	<b>185 627 135</b>	2.854	<b>185 627 155</b>	2.854
50	40	10	1263	<b>185 627 136</b>	4.481	<b>185 627 156</b>	4.481
63	50	6	1728	<b>185 627 137</b>	5.686	<b>185 627 157</b>	5.686

d	D	D1_G	D3	D4	D5	H	H1	H2	H3	H4	H5	H7	L	L2	M
(mm)	(mm)	(inch)	(mm)	(mm)	(mm)	(mm)	(mm)	(mm)	(mm)	(mm)	(mm)	(mm)	(mm)	(mm)	(mm)
20	68	⅜	95	65	14	101	14	12	60	24	16	43	130	25	M6
25	96	⅜	105	75	14	132	18	12	73	25	16	57	150	25	M6
32	96	⅜	115	85	14	143	22	12	84	25	16	69	160	25	M6
40	120	⅜	140	100	18	173	26	15	99	26	26	69	180	45	M8
50	150	⅜	150	110	18	193	32	15	119	36	26	88	200	45	M8
63	150	⅜	165	125	18	205	39	15	132	36	26	88	230	45	M8

d (mm)	Lift = Hx (mm)	closest inch (inch)
20	7	½
25	10	¾
32	13	1
40	15	1 ¼
50	19	1 ½
63	23	2



**SYGEF Standard**  
**Diaphragm valve DIASTAR Ten**  
**FO (Fail safe to open)**  
**With backing flanges PP-V Inch ANSI**

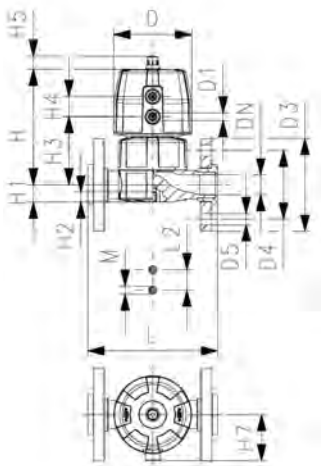
**Model:**

- Material: PVDF
- Double flow rate compared to predecessor
- One housing nut replaces four screws
- Rotating air connection at 90° intervals
- Joining faces flat/serrated
- Overall length EN 558
- Connecting dimension: ANSI/ASME B 16.5 class 150, ASTM D 4024, BS 1560, BS EN 1759

**Option:**

- Individual configuration of the valve (see diagram)
- Comprehensive range of accessories available

Working Pressure: **one side**



Size (inch)	DN (mm)	kv-value ( $\Delta p=1$ bar) (l/min)	PTFE/EPDM Code	Weight (kg)	PTFE/FPM Code	Weight (kg)
1/2	15	125	<b>185 647 732</b>	0.820	<b>185 647 752</b>	0.820
3/4	20	271	<b>185 647 733</b>	1.299	<b>185 647 753</b>	1.299
1	25	481	<b>185 647 734</b>	1.611	<b>185 647 754</b>	1.611
1 1/4	32	759	<b>185 647 735</b>	2.494	<b>185 647 755</b>	2.494
1 1/2	40	1263	<b>185 647 736</b>	4.391	<b>185 647 756</b>	4.391
2	50	1728	<b>185 647 737</b>	5.672	<b>185 647 757</b>	5.672

Size (inch)	D (mm)	D1_G (inch)	D3 (mm)	D4 (mm)	D5 (mm)	H (mm)	H1 (mm)	H2 (mm)	H3 (mm)	H4 (mm)	H5 (mm)	H7 (mm)	L (mm)	L2 (mm)	M
1/2	68	3/8	95	60	16	101	14	12	60	24	16	57	130	25	M6
3/4	96	1/2	105	70	16	132	18	12	73	25	16	57	150	25	M6
1	96	5/8	115	79	16	143	22	12	84	25	16	69	160	25	M6
1 1/4	120	3/4	140	89	16	173	26	15	99	26	26	88	180	45	M8
1 1/2	150	7/8	150	98	16	214	32	15	119	36	26	103	200	45	M8
2	150	1	165	121	19	226	39	15	132	36	26	103	230	45	M8

Size (inch)	Lift = Hx (mm)
1/2	7
3/4	10
1	13
1 1/4	15
1 1/2	19
2	23





**SYGEF Standard**  
**Diaphragm valve DIASTAR Ten**  
**FO (Fail safe to open)**  
**With backing flanges PP-V metric/BS**

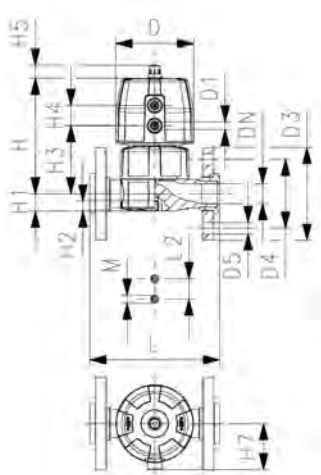
**Model:**

- Material: PVDF
- Double flow rate compared to predecessor
- One housing nut replaces four screws
- Rotating air connection at 90° intervals
- Joining faces flat/serrated
- Overall length EN 558
- Connecting dimension: ISO 7005 PN 10, EN 1092 PN 10, DIN 2501 PN 10, BS 4504 PN 10

**Option:**

- Individual configuration of the valve (see diagram)
- Comprehensive range of accessories available

Working Pressure: **one side**



d (mm)	DN (mm)	kv-value ( $\Delta p=1$ bar) (l/min)	PTFE/EPDM Code	Weight (kg)	PTFE/FPM Code	Weight (kg)
20	15	125	<b>185 647 132</b>	0.820	<b>185 647 152</b>	0.820
25	20	271	<b>185 647 133</b>	1.299	<b>185 647 153</b>	1.299
32	25	481	<b>185 647 134</b>	1.611	<b>185 647 154</b>	1.611
40	32	759	<b>185 647 135</b>	2.494	<b>185 647 155</b>	2.494
50	40	1263	<b>185 647 136</b>	4.391	<b>185 647 156</b>	4.391
63	50	1728	<b>185 647 137</b>	5.040	<b>185 647 157</b>	5.040

d	D	D1_G	D3	D4	D5	H	H1	H2	H3	H4	H5	H7	L	L2	M
(mm)	(mm)	(inch)	(mm)	(mm)	(mm)	(mm)	(mm)	(mm)	(mm)	(mm)	(mm)	(mm)	(mm)	(mm)	(mm)
20	68	⅜	95	65	14	101	14	12	60	24	16	57	130	25	M6
25	96	⅜	105	75	14	132	18	12	73	25	16	57	150	25	M6
32	96	⅜	115	85	14	143	22	12	84	25	16	69	160	25	M6
40	120	⅜	140	100	18	173	26	15	99	26	26	88	180	45	M8
50	150	⅜	150	110	18	214	32	15	119	36	26	103	200	45	M8
63	150	⅜	165	125	18	226	39	15	132	36	26	103	230	45	M8

d (mm)	Lift = Hx (mm)	closest inch (inch)
20	7	½
25	10	¾
32	13	1
40	15	1 ¼
50	19	1 ½
63	23	2



**SYGEF Standard**  
**Diaphragm valve DIASTAR Ten**  
**DA (Double acting)**  
**With backing flanges PP-V Inch ANSI**

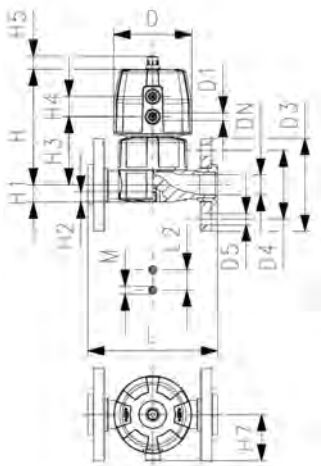
**Model:**

- Material: PVDF
- Double flow rate compared to predecessor
- One housing nut replaces four screws
- Rotating air connection at 90° intervals
- Joining faces flat/serrated
- Overall length EN 558
- Connecting dimension: ANSI/ASME B 16.5 class 150, ASTM D 4024, BS 1560, BS EN 1759

**Option:**

- Individual configuration of the valve (see diagram)
- Comprehensive range of accessories available

Working Pressure: **one side**



Size (inch)	DN (mm)	PN (bar)	kv-value ( $\Delta p=1$ bar) (l/min)	PTFE/EPDM Code	Weight (kg)	PTFE/FPM Code	Weight (kg)
½	15	10	125	<b>185 657 732</b>	0.804	<b>185 657 752</b>	0.804
¾	20	10	271	<b>185 657 733</b>	1.263	<b>185 657 753</b>	1.263
1	25	10	481	<b>185 657 734</b>	1.581	<b>185 657 754</b>	1.581
1 ¼	32	10	759	<b>185 657 735</b>	2.434	<b>185 657 755</b>	2.434
1 ½	40	10	1263	<b>185 657 736</b>	3.641	<b>185 657 756</b>	3.641
2	50	6	1728	<b>185 657 737</b>	4.922	<b>185 657 757</b>	4.922

Size (inch)	D (mm)	D1_G (inch)	D3 (mm)	D4 (mm)	D5 (mm)	H (mm)	H1 (mm)	H2 (mm)	H3 (mm)	H4 (mm)	H5 (mm)	H7 (mm)	L (mm)	L2 (mm)	M
½	68	¾	95	60	16	101	14	12	60	24	16	57	130	25	M6
¾	96	¾	105	70	16	132	18	12	73	25	16	57	150	25	M6
1	96	¾	115	79	16	143	22	12	84	25	16	69	160	25	M6
1 ¼	120	¾	140	89	16	173	26	15	99	26	26	88	180	45	M8
1 ½	150	¾	150	98	16	214	32	15	119	36	26	103	200	45	M8
2	150	¾	165	121	19	226	39	15	132	36	26	103	230	45	M8

Size (inch)	Lift = Hx (mm)
½	7
¾	10
1	13
1 ¼	15
1 ½	19
2	23



**SYGEF Standard**  
**Diaphragm valve DIASTAR Ten**  
**DA (Double acting)**  
**With backing flanges PP-V metric/BS**

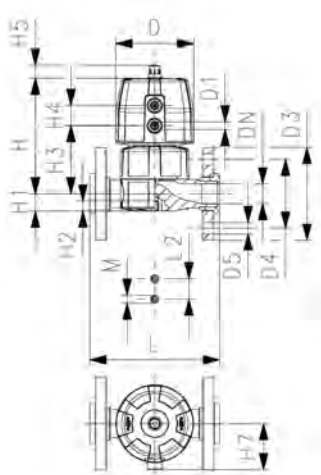
**Model:**

- Material: PVDF
- Double flow rate compared to predecessor
- One housing nut replaces four screws
- Rotating air connection at 90° intervals
- Joining faces flat/serrated
- Overall length EN 558
- Connecting dimension: ISO 7005 PN 10, EN 1092 PN 10, DIN 2501 PN 10, BS 4504 PN 10

**Option:**

- Individual configuration of the valve (see diagram)
- Comprehensive range of accessories available

Working Pressure: **one side**



d (mm)	DN (mm)	kv-value ( $\Delta p=1$ bar) (l/min)	PTFE/EPDM Code	Weight (kg)	PTFE/FPM Code	Weight (kg)
20	15	125	<b>185 657 132</b>	0.804	<b>185 657 152</b>	0.804
25	20	271	<b>185 657 133</b>	1.200	<b>185 657 153</b>	1.200
32	25	481	<b>185 657 134</b>	1.581	<b>185 657 154</b>	1.581
40	32	759	<b>185 657 135</b>	2.434	<b>185 657 155</b>	2.434
50	40	1263	<b>185 657 136</b>	3.937	<b>185 657 156</b>	3.937
63	50	1728	<b>185 657 137</b>	4.922	<b>185 657 157</b>	4.922

d	D	D1_G	D3	D4	D5	H	H1	H2	H3	H4	H5	H7	L	L2	M
(mm)	(mm)	(inch)	(mm)	(mm)	(mm)	(mm)	(mm)	(mm)	(mm)	(mm)	(mm)	(mm)	(mm)	(mm)	(mm)
20	68	⅜	95	65	14	101	14	12	60	24	16	57	130	25	M6
25	96	⅜	105	75	14	132	18	12	73	25	16	57	150	25	M6
32	96	⅜	115	85	14	143	22	12	84	25	16	69	160	25	M6
40	120	⅜	140	100	18	173	26	15	99	26	26	88	180	45	M8
50	150	⅜	150	110	18	214	32	15	119	36	26	103	200	45	M8
63	150	⅜	165	125	18	226	39	15	132	36	26	103	230	45	M8

d (mm)	Lift = Hx (mm)	closest inch (inch)
20	7	½
25	10	¾
32	13	1
40	15	1 ¼
50	19	1 ½
63	23	2



**SYGEF Standard**  
**Diaphragm valve DIASTAR Ten**  
**DA (Double acting)**  
**With butt fusion spigots metric**

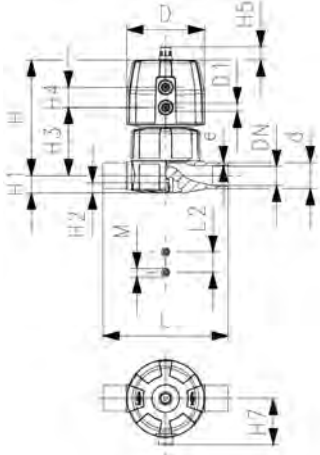
**Model:**

- Material: PVDF
- Double flow rate compared to predecessor
- One housing nut replaces four screws
- Rotating air connection at 90° intervals

**Option:**

- Individual configuration of the valve (see diagram)
- Comprehensive range of accessories available

Working Pressure: **one side**



d (mm)	DN (mm)	kv-value ( $\Delta p=1$ bar) (l/min)	PTFE/EPDM Code	Weight (kg)	PTFE/FPM Code	Weight (kg)
20	15	125	<b>185 655 132</b>	0.603	<b>185 655 152</b>	0.603
25	20	271	<b>185 655 133</b>	0.981	<b>185 655 153</b>	0.981
32	25	481	<b>185 655 134</b>	1.193	<b>185 655 154</b>	1.193
40	32	759	<b>185 655 135</b>	1.823	<b>185 655 155</b>	1.823
50	40	1263	<b>185 655 136</b>	2.986	<b>185 655 156</b>	2.986
63	50	1728	<b>185 655 137</b>	3.796	<b>185 655 157</b>	3.796

d (mm)	D (mm)	D1_G (inch)	H (mm)	H1 (mm)	H2 (mm)	H3 (mm)	H4 (mm)	H5 (mm)	H7 (mm)	L (mm)	L2 (mm)	M	e (mm)	Lift = Hx (mm)
20	68	1/8	101	14	12	60	24	16	43	124	25	M6	2	7
25	96	1/8	132	18	12	73	25	16	57	144	25	M6	2	10
32	96	1/8	143	22	12	84	25	16	57	154	25	M6	2	13
40	120	1/8	173	26	15	99	26	26	69	174	45	M8	2	15
50	150	1/4	214	32	15	119	36	26	88	194	45	M8	3	19
63	150	1/4	226	39	15	132	36	26	88	224	45	M8	3	23

d (mm)	closest inch (inch)
20	1/2
25	3/4
32	1
40	1 1/4
50	1 1/2
63	2



**SYGEF Standard**  
**Diaphragm valve DIASTAR Ten**  
**DA (Double acting)**  
**With socket fusion spigots metric**

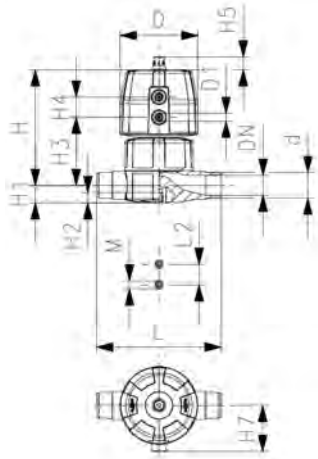
**Model:**

- Material: PVDF
- Double flow rate compared to predecessor
- One housing nut replaces four screws
- Rotating air connection at 90° intervals
- Overall length EN 558

**Option:**

- Individual configuration of the valve (see diagram)
- Comprehensive range of accessories available

Working Pressure: **one side**



d (mm)	DN (mm)	kv-value ( $\Delta p=1$ bar) (L/min)	PTFE/EPDM Code	Weight (kg)	PTFE/FPM Code	Weight (kg)
20	15	125	<b>185 655 032</b>	0.604	<b>185 655 052</b>	0.604
25	20	271	<b>185 655 033</b>	0.989	<b>185 655 053</b>	0.989
32	25	481	<b>185 655 034</b>	1.201	<b>185 655 054</b>	1.201
40	32	759	<b>185 655 035</b>	1.848	<b>185 655 055</b>	1.848
50	40	1263	<b>185 655 036</b>	3.031	<b>185 655 056</b>	3.031
63	50	1728	<b>185 655 037</b>	3.878	<b>185 655 057</b>	3.878

d (mm)	D (mm)	D1_G (inch)	H (mm)	H1 (mm)	H2 (mm)	H3 (mm)	H4 (mm)	H5 (mm)	H7 (mm)	L (mm)	L2 (mm)	M	Lift = Hx (mm)	closest inch (inch)
20	68	⅝	101	14	12	60	24	16	43	124	25	M6	7	½
25	96	⅝	132	18	12	73	25	16	57	144	25	M6	10	¾
32	96	⅝	143	22	12	84	25	16	57	154	25	M6	13	1
40	120	⅝	173	26	15	99	26	26	69	174	45	M8	15	1 ¼
50	150	⅝	214	32	15	119	36	26	88	194	45	M8	19	1 ½
63	150	⅝	226	39	15	132	36	26	88	224	45	M8	23	2



**SYGEF Standard**  
**Diaphragm valve DIASTAR TenPlus**  
**FC (Fail safe to close)**  
**With backing flanges PP-V Inch ANSI**

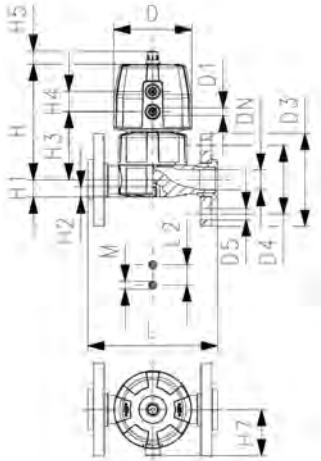
**Model:**

- Material: PVDF
- Double flow rate compared to predecessor
- One housing nut replaces four screws
- Rotating air connection at 90° intervals
- Joining faces flat/serrated
- Overall length EN 558
- Connecting dimension: ANSI/ASME B 16.5 class 150, ASTM D 4024, BS 1560, BS EN 1759

**Option:**

- Individual configuration of the valve (see diagram)
- Comprehensive range of accessories available

Working Pressure: **both sides**



Size (inch)	DN (mm)	kv-value ( $\Delta p=1$ bar) (l/min)	PTFE/EPDM Code	Weight (kg)	PTFE/FPM Code	Weight (kg)
½	15	125	<b>185 687 732</b>	1.281	<b>185 687 752</b>	1.281
¾	20	271	<b>185 687 733</b>	1.491	<b>185 687 753</b>	1.491
1	25	481	<b>185 687 734</b>	2.398	<b>185 687 754</b>	2.410
1 ¼	32	759	<b>185 687 735</b>	3.961	<b>185 687 755</b>	3.961
1 ½	40	1263	<b>185 687 736</b>	5.944	<b>185 687 756</b>	5.944
2	50	1728	<b>185 687 737</b>	7.277	<b>185 687 757</b>	7.277

Size (inch)	D (mm)	D1_G (inch)	D3 (mm)	D4 (mm)	D5 (mm)	H (mm)	H1 (mm)	H2 (mm)	H3 (mm)	H4 (mm)	H5 (mm)	H7 (mm)	L (mm)	L2 (mm)	M
½	96	¾	95	60	16	127	14	12	68	25	16	57	130	25	M6
¾	96	¾	105	70	16	132	18	12	73	25	16	57	150	25	M6
1	120	¾	115	79	16	167	22	12	93	26	26	69	160	25	M6
1 ¼	150	¾	140	89	16	196	26	15	101	36	26	88	180	45	M8
1 ½	180	¾	150	98	16	239	32	15	124	37	26	103	200	45	M8
2	180	¾	165	121	19	251	39	15	137	37	26	103	230	45	M8

Size (inch)	Lift = Hx (mm)
½	7
¾	10
1	13
1 ¼	15
1 ½	19
2	23





**SYGEF Standard**  
**Diaphragm valve DIASTAR TenPlus**  
**FC (Fail safe to close)**  
**With backing flanges PP-V metric/BS**

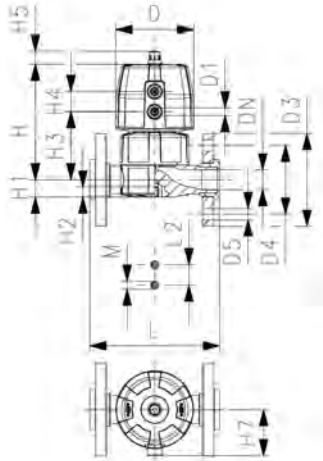
**Model:**

- Material: PVDF
- Double flow rate compared to predecessor
- One housing nut replaces four screws
- Rotating air connection at 90° intervals
- Joining faces flat/serrated
- Overall length EN 558
- Connecting dimension: ISO 7005 PN 10, EN 1092 PN 10, DIN 2501 PN 10, BS 4504 PN 10

**Option:**

- Individual configuration of the valve (see diagram)
- Comprehensive range of accessories available

Working Pressure: **both sides**



d (mm)	DN (mm)	kv-value ( $\Delta p=1$ bar) (l/min)	PTFE/EPDM Code	Weight (kg)	PTFE/FPM Code	Weight (kg)
20	15	125	<b>185 687 132</b>	1.281	<b>185 687 152</b>	1.281
25	20	271	<b>185 687 133</b>	1.491	<b>185 687 153</b>	1.491
32	25	481	<b>185 687 134</b>	2.410	<b>185 687 154</b>	2.410
40	32	759	<b>185 687 135</b>	3.961	<b>185 687 155</b>	3.961
50	40	1263	<b>185 687 136</b>	5.944	<b>185 687 156</b>	5.944
63	50	1728	<b>185 687 137</b>	7.277	<b>185 687 157</b>	7.277

d (mm)	D (mm)	D1_G (inch)	D3 (mm)	D4 (mm)	D5 (mm)	H (mm)	H1 (mm)	H2 (mm)	H3 (mm)	H4 (mm)	H5 (mm)	H7 (mm)	L (mm)	L2 (mm)	M
20	96	⅜	95	65	14	127	14	12	68	25	16	57	130	25	M6
25	96	⅜	105	75	14	132	18	12	73	25	16	57	150	25	M6
32	120	⅜	115	85	14	167	22	12	93	26	26	69	160	25	M6
40	150	⅜	140	100	18	196	26	15	101	36	26	88	180	45	M8
50	180	⅜	150	110	18	239	32	15	124	37	26	103	200	45	M8
63	180	⅜	165	125	18	251	39	15	137	37	26	103	230	45	M8

d (mm)	Lift = Hx (mm)	closest inch (inch)
20	7	⅓
25	10	⅜
32	13	1
40	15	1 ¼
50	19	1 ½
63	23	2



**SYGEF Standard**  
**Diaphragm valve DIASTAR TenPlus**  
**FC (Fail safe to close)**  
**With butt fusion spigots metric**

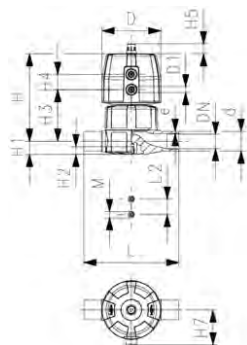
**Model:**

- Material: PVDF
- Double flow rate compared to predecessor
- One housing nut replaces four screws
- Rotating air connection at 90° intervals

**Option:**

- Individual configuration of the valve (see diagram)
- Comprehensive range of accessories available

Working Pressure: **both sides**



d (mm)	DN (mm)	PN (psi)	kv-value ( $\Delta p=1$ bar) (l/min)	PTFE/EPDM Code	Weight (kg)	PTFE/FPM Code	Weight (kg)
20	15	150/150*	125	<b>185 685 132</b>	0.972	<b>185 685 152</b>	0.972
25	20	150/150*	271	<b>185 685 133</b>	1.209	<b>185 685 153</b>	1.209
32	25	150/150*	481	<b>185 685 134</b>	2.022	<b>185 685 154</b>	2.022
40	32	150/150*	759	<b>185 685 135</b>	3.350	<b>185 685 155</b>	3.350
50	40	150/150*	1263	<b>185 685 136</b>	5.289	<b>185 685 156</b>	5.289
63	50	150/150*	1728	<b>185 685 137</b>	6.151	<b>185 685 157</b>	6.151

d (mm)	D (mm)	D1_G (inch)	H (mm)	H1 (mm)	H2 (mm)	H3 (mm)	H4 (mm)	H5 (mm)	H7 (mm)	L (mm)	L2 (mm)	M	e (mm)	Lift = Hx (mm)
20	96	⅜	127	14	12	68	25	16	57	124	25	M6	1.9	7
25	96	⅜	132	18	12	73	25	16	57	144	25	M6	1.9	10
32	120	⅜	167	22	12	93	26	26	69	154	25	M6	2.4	13
40	150	¼	196	26	15	101	36	26	88	174	45	M8	2.4	15
50	180	¼	239	32	15	124	37	26	103	194	45	M8	3.0	19
63	180	¼	251	39	15	137	37	26	103	224	45	M8	3.0	23

d (mm)	closest inch (inch)
20	⅜
25	⅜
32	1
40	1 ¼
50	1 ½
63	2



**SYGEF Standard**  
**Diaphragm valve DIASTAR TenPlus**  
**FC (Fail safe to close)**  
**With socket fusion spigots metric**

**Model:**

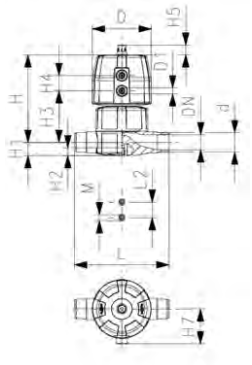
- Material: PVDF
- Double flow rate compared to predecessor
- One housing nut replaces four screws
- Rotating air connection at 90° intervals
- Overall length EN 558

**Option:**

- Individual configuration of the valve (see diagram)
- Comprehensive range of accessories available

\* PN: PTFE

Working Pressure: **both sides**



d	DN	PN	PN*	kv-value	PTFE/EPDM	Weight	PTFE/FPM	Weight
(mm)	(mm)	(psi)	(bar)	( $\Delta p=1$ bar)	Code	(kg)	Code	(kg)
				(l/min)				
20	15	150/150*	10/10*	125	<b>185 685 032</b>	1.081	<b>185 685 052</b>	1.081
25	20	150/150*	10/10*	271	<b>185 685 033</b>	1.217	<b>185 685 053</b>	1.217
32	25	150/150*	10/10*	481	<b>185 685 034</b>	2.030	<b>185 685 054</b>	2.030
40	32	150/150*	10/10*	759	<b>185 685 035</b>	3.375	<b>185 685 055</b>	3.375
50	40	150/150*	10/10*	1263	<b>185 685 036</b>	5.334	<b>185 685 056</b>	5.334
63	50	150/150*	10/10*	1728	<b>185 685 037</b>	6.233	<b>185 685 057</b>	6.233

d	D	D1_G	H	H1	H2	H3	H4	H5	H7	L	L2	M	Lift = Hx	closest inch
(mm)	(mm)	(inch)	(mm)	(mm)	(mm)	(mm)	(mm)	(mm)	(mm)	(mm)	(mm)		(mm)	(inch)
20	96	⅜	127	14	12	68	25	16	57	124	25	M6	7	½
25	96	⅜	132	18	12	73	25	16	57	144	25	M6	10	¾
32	120	⅜	167	22	12	93	26	26	69	154	25	M6	13	1
40	150	¼	196	26	15	101	36	26	88	174	45	M8	15	1 ¼
50	180	¼	239	32	15	124	37	26	103	194	45	M8	19	1 ½
63	180	¼	251	39	15	137	37	26	103	224	45	M8	23	2



**SYGEF Standard**  
**Diaphragm valve DIASTAR TenPlus**  
**FC (Fail safe to close)**  
**Unions with butt fusion spigots metric**

**Model:**

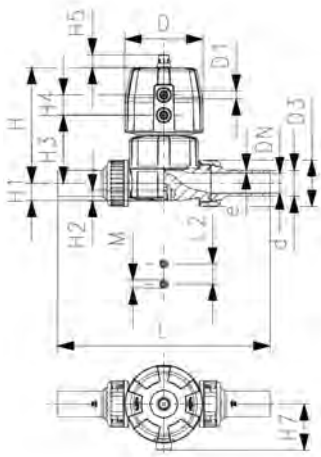
- Material: PVDF
- Double flow rate compared to predecessor
- One housing nut replaces four screws
- Rotating air connection at 90° intervals
- For easy installation and removal
- Short overall length

**Option:**

- Individual configuration of the valve (see diagram)
- Comprehensive range of accessories available

\* PN: PTFE

Working Pressure: **both sides**



d (mm)	DN (mm)	PN (psi)	PN* (bar)	kv-value ( $\Delta p=1$ bar) (L/min)	PTFE/EPDM Code	Weight (kg)	PTFE/FPM Code	Weight (kg)
20	15	150/150*	10/10*	125	<b>185 684 132</b>	1.185	<b>185 684 152</b>	1.185
25	20	150/150*	10/10*	271	<b>185 684 133</b>	1.386	<b>185 684 153</b>	1.386
32	25	150/150*	10/10*	481	<b>185 684 134</b>	2.537	<b>185 684 154</b>	2.537
40	32	150/150*	10/10*	759	<b>185 684 135</b>	3.735	<b>185 684 155</b>	3.735
50	40	150/150*	10/10*	1263	<b>185 684 136</b>	5.757	<b>185 684 156</b>	5.757
63	50	150/150*	10/10*	1728	<b>185 684 137</b>	6.991	<b>185 684 157</b>	6.991

d (mm)	D (mm)	D1_G (inch)	H (mm)	H1 (mm)	H2 (mm)	H3 (mm)	H4 (mm)	H5 (mm)	H7 (mm)	L (mm)	L2 (mm)	M	e (mm)	Lift = Hx (mm)
20	96	⅜	127	14	12	68	25	16	57	196	25	M6	1.9	7
25	96	⅜	132	18	12	73	25	16	57	221	25	M6	1.9	10
32	120	⅜	167	22	12	93	26	26	69	234	25	M6	2.4	13
40	150	¼	196	26	15	101	36	26	88	260	45	M8	2.4	15
50	180	¼	239	32	15	124	37	26	103	284	45	M8	3.0	19
63	180	¼	251	39	15	137	37	26	103	321	45	M8	3.0	23

d (mm)	closest inch (inch)
20	⅜
25	⅜
32	1
40	1 ¼
50	1 ½
63	2



**SYGEF Standard**  
**Diaphragm valve DIASTAR TenPlus**  
**FC (Fail safe to close)**  
**Unions with fusion sockets metric**

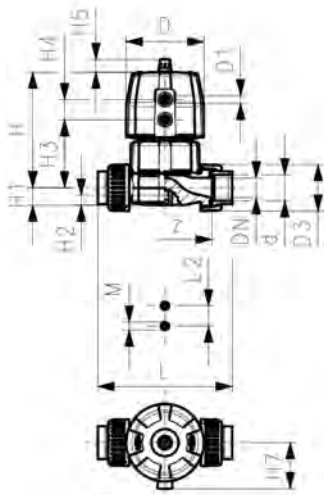
**Model:**

- Material: PVDF
- Double flow rate compared to predecessor
- One housing nut replaces four screws
- Rotating air connection at 90° intervals
- For easy installation and removal
- Short overall length

**Option:**

- Individual configuration of the valve (see diagram)
- Comprehensive range of accessories available

Working Pressure: **both sides**



d (mm)	DN (mm)	PN (psi)	kv-value ( $\Delta p=1$ bar) (L/min)	PTFE/EPDM Code	Weight (kg)	PTFE/FPM Code	Weight (kg)
20	15	150/150*	125	<b>185 684 032</b>	0.957	<b>185 684 052</b>	1.147
25	20	150/150*	271	<b>185 684 033</b>	1.233	<b>185 684 053</b>	1.233
32	25	150/150*	481	<b>185 684 034</b>	2.184	<b>185 684 054</b>	2.184
40	32	150/150*	759	<b>185 684 035</b>	3.643	<b>185 684 055</b>	3.643
50	40	150/150*	1263	<b>185 684 036</b>	5.729	<b>185 684 056</b>	5.729
63	50	150/150*	1728	<b>185 684 037</b>	6.873	<b>185 684 057</b>	6.873

d (mm)	D (mm)	D1_G (inch)	H (mm)	H1 (mm)	H2 (mm)	H3 (mm)	H4 (mm)	H5 (mm)	H7 (mm)	L (mm)	L2 (mm)	M	z (mm)	Lift = Hx (mm)
20	96	⅜	127	14	12	68	25	16	57	128	25	M6	100	7
25	96	⅜	132	18	12	73	25	16	57	150	25	M6	118	10
32	120	⅜	167	22	12	93	26	26	69	162	25	M6	126	13
40	150	⅜	196	26	15	101	36	26	88	184	45	M8	144	15
50	180	⅜	239	32	15	124	37	26	103	210	45	M8	164	19
63	180	⅜	251	39	15	137	37	26	103	248	45	M8	194	23

d (mm)	closest inch (inch)
20	⅜
25	⅜
32	1
40	1 ¼
50	1 ½
63	2



**SYGEF Standard**  
**Diaphragm valve DIASTAR Ten**  
**DA (Double acting)**  
**Unions with butt fusion spigots metric**

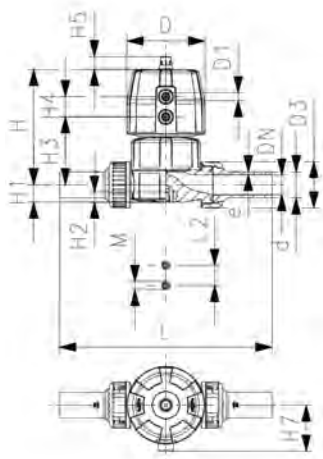
**Model:**

- Material: PVDF
- Double flow rate compared to predecessor
- One housing nut replaces four screws
- Rotating air connection at 90° intervals
- For easy installation and removal
- Short overall length

**Option:**

- Individual configuration of the valve (see diagram)
- Comprehensive range of accessories available

Working Pressure: **one side**



d (mm)	DN (mm)	kv-value ( $\Delta p=1$ bar) (l/min)	PTFE/EPDM Code	Weight (kg)	PTFE/FPM Code	Weight (kg)
20	15	125	<b>185 654 132</b>	0.708	<b>185 654 152</b>	0.708
25	20	271	<b>185 654 133</b>	1.158	<b>185 654 153</b>	1.158
32	25	481	<b>185 654 134</b>	1.399	<b>185 654 154</b>	1.399
40	32	759	<b>185 654 135</b>	2.208	<b>185 654 155</b>	2.208
50	40	1263	<b>185 654 136</b>	3.454	<b>185 654 156</b>	3.454
63	50	1728	<b>185 654 137</b>	4.636	<b>185 654 157</b>	4.636

d (mm)	D (mm)	D1_G (inch)	H (mm)	H1 (mm)	H2 (mm)	H3 (mm)	H4 (mm)	H5 (mm)	H7 (mm)	L (mm)	L2 (mm)	M	e (mm)	Lift = Hx (mm)
20	68	1/8	101	14	12	60	24	16	43	196	25	M6	2	7
25	96	1/8	132	18	12	73	25	16	57	221	25	M6	2	10
32	96	1/8	143	22	12	84	25	16	57	234	25	M6	2	13
40	120	1/8	173	26	15	99	26	26	69	260	45	M8	2	15
50	150	1/4	214	32	15	119	36	26	69	284	45	M8	3	19
63	150	1/4	226	39	15	132	36	26	69	321	45	M8	3	23

d (mm)	closest inch (inch)
20	1/2
25	3/4
32	1
40	1 1/4
50	1 1/2
63	2





**SYGEF Standard**  
**Diaphragm valve DIASTAR Ten**  
**DA (Double acting)**  
**Unions with fusion sockets metric**

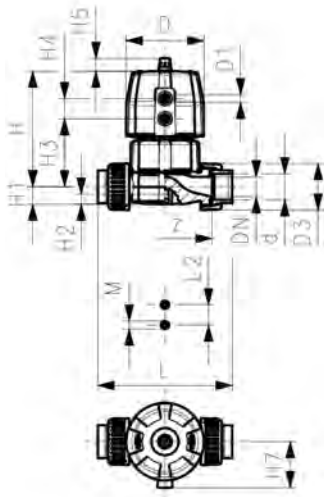
**Model:**

- Material: PVDF
- Double flow rate compared to predecessor
- One housing nut replaces four screws
- Rotating air connection at 90° intervals
- For easy installation and removal
- Short overall length

**Option:**

- Individual configuration of the valve (see diagram)
- Comprehensive range of accessories available

Working Pressure: **one side**



d (mm)	DN (mm)	kv-value ( $\Delta p=1$ bar) (L/min)	PTFE/EPDM Code	Weight (kg)	PTFE/FPM Code	Weight (kg)
20	15	125	<b>185 654 032</b>	0.565	<b>185 654 052</b>	0.565
25	20	271	<b>185 654 033</b>	1.116	<b>185 654 053</b>	1.116
32	25	481	<b>185 654 034</b>	1.328	<b>185 654 054</b>	1.355
40	32	759	<b>185 654 035</b>	2.116	<b>185 654 055</b>	2.116
50	40	1263	<b>185 654 036</b>	3.426	<b>185 654 056</b>	3.426
63	50	1728	<b>185 654 037</b>	4.518	<b>185 654 057</b>	4.518

d (mm)	D (mm)	D1_G (inch)	H (mm)	H1 (mm)	H2 (mm)	H3 (mm)	H4 (mm)	H5 (mm)	H7 (mm)	L (mm)	L2 (mm)	M	z (mm)	Lift = Hx (mm)
20	68	1/8	101	14	12	60	24	16	43	128	25	M6	100	7
25	96	3/8	132	18	12	73	25	16	57	150	25	M6	118	10
32	96	1/2	143	22	12	84	25	16	57	162	25	M6	126	13
40	120	5/8	173	26	15	99	26	26	69	184	45	M8	144	15
50	150	3/4	214	32	15	119	36	26	88	210	45	M8	164	19
63	150	1/2	226	39	15	132	36	26	88	248	45	M8	194	23

d (mm)	closest inch (inch)
20	3/8
25	1/2
32	1
40	1 1/4
50	1 1/2
63	2



**SYGEF Standard**  
**Diaphragm valve DIASTAR Ten**  
**FO (Fail safe to open)**  
**With butt fusion spigots metric**

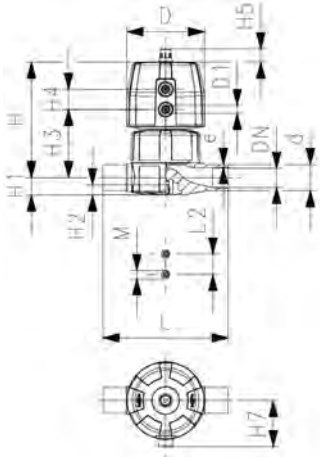
**Model:**

- Material: PVDF
- Double flow rate compared to predecessor
- One housing nut replaces four screws
- Rotating air connection at 90° intervals

**Option:**

- Individual configuration of the valve (see diagram)
- Comprehensive range of accessories available

Working Pressure: **one side**



d (mm)	DN (mm)	PN (bar)	kv-value ( $\Delta p=1$ bar) (l/min)	PTFE/EPDM Code	Weight (kg)	PTFE/FPM Code	Weight (kg)
20	15	10	125	<b>185 645 132</b>	0.619	<b>185 645 152</b>	0.619
25	20	10	271	<b>185 645 133</b>	1.017	<b>185 645 153</b>	1.017
32	25	10	481	<b>185 645 134</b>	1.223	<b>185 645 154</b>	1.223
40	32	10	759	<b>185 645 135</b>	1.883	<b>185 645 155</b>	1.883
50	40	10	1263	<b>185 645 136</b>	3.701	<b>185 645 156</b>	3.736
63	50	6	1728	<b>185 645 137</b>	4.546	<b>185 645 157</b>	4.546

d (mm)	D (mm)	D1_G (inch)	H (mm)	H1 (mm)	H2 (mm)	H3 (mm)	H4 (mm)	H5 (mm)	H7 (mm)	L (mm)	L2 (mm)	M	e (mm)	Lift = Hx (mm)
20	68	1/8	101	14	12	60	24	16	43	124	25	M6	2	7
25	96	1/8	132	18	12	73	25	16	57	144	25	M6	2	10
32	96	1/8	143	22	12	84	25	16	57	154	25	M6	2	13
40	120	1/8	173	26	15	99	26	26	69	174	45	M8	2	15
50	150	1/4	214	32	15	119	36	26	88	194	45	M8	3	19
63	150	1/4	226	39	15	132	36	26	88	224	45	M8	3	23

d (mm)	closest inch (inch)
20	1/2
25	3/4
32	1
40	1 1/4
50	1 1/2
63	2



**SYGEF Standard**  
**Diaphragm valve DIASTAR Ten**  
**FO (Fail safe to open)**  
**With socket fusion spigots metric**

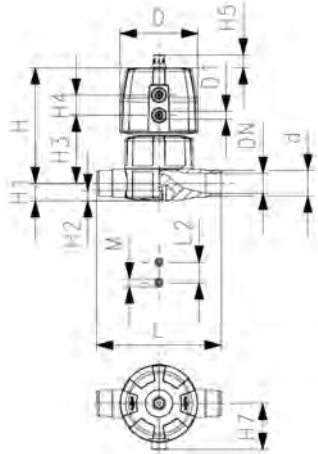
**Model:**

- Material: PVDF
- Double flow rate compared to predecessor
- One housing nut replaces four screws
- Rotating air connection at 90° intervals
- Overall length EN 558

**Option:**

- Individual configuration of the valve (see diagram)
- Comprehensive range of accessories available

Working Pressure: **one side**



d (mm)	DN (mm)	PN (bar)	kv-value ( $\Delta p=1$ bar) (l/min)	PTFE/EPDM Code	Weight (kg)	PTFE/FPM Code	Weight (kg)
20	15	10	125	<b>185 645 032</b>	0.620	<b>185 645 052</b>	0.620
25	20	10	271	<b>185 645 033</b>	1.025	<b>185 645 053</b>	1.025
32	25	10	481	<b>185 645 034</b>	1.231	<b>185 645 054</b>	1.231
40	32	10	759	<b>185 645 035</b>	1.908	<b>185 645 055</b>	1.908
50	40	10	1263	<b>185 645 036</b>	3.781	<b>185 645 056</b>	3.781
63	50	6	1728	<b>185 645 037</b>	4.628	<b>185 645 057</b>	4.628

d (mm)	D (mm)	D1_G (inch)	H (mm)	H1 (mm)	H2 (mm)	H3 (mm)	H4 (mm)	H5 (mm)	H7 (mm)	L (mm)	L2 (mm)	M	Lift = Hx (mm)	closest inch (inch)
20	68	⅜	101	14	12	60	24	16	43	124	25	M6	7	⅓
25	96	⅜	132	18	12	73	25	16	57	144	25	M6	10	⅜
32	96	⅜	143	22	12	84	25	16	57	154	25	M6	13	1
40	120	⅜	173	26	15	99	26	26	69	174	45	M8	15	1 ¼
50	150	⅜	214	32	15	119	36	26	88	194	45	M8	19	1 ½
63	150	⅜	226	39	15	132	36	26	88	224	45	M8	23	2



**SYGEF Standard**  
**Diaphragm valve DIASTAR Ten**  
**FO (Fail safe to open)**  
**Unions with butt fusion spigots metric**

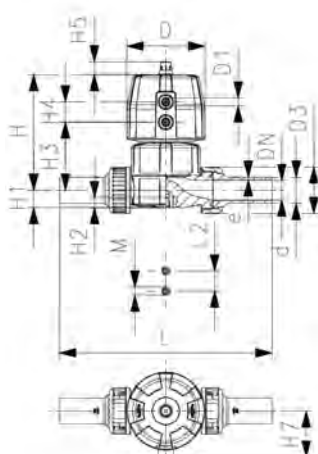
**Model:**

- Material: PVDF
- Double flow rate compared to predecessor
- One housing nut replaces four screws
- Rotating air connection at 90° intervals
- For easy installation and removal
- Short overall length

**Option:**

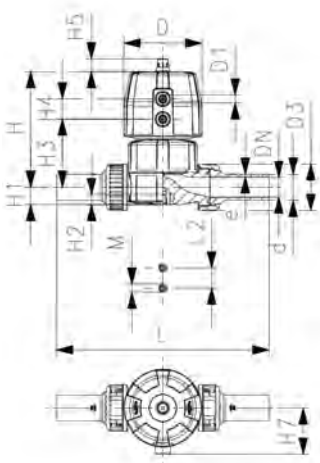
- Individual configuration of the valve (see diagram)
- Comprehensive range of accessories available

Working Pressure: **one side**



d (mm)	DN (mm)	PN (bar)	kv-value ( $\Delta p=1$ bar) (l/min)	PTFE/EPDM Code	Weight (kg)	PTFE/FPM Code	Weight (kg)
20	15	10	125	<b>185 644 132</b>	0.724	<b>185 644 152</b>	0.600
25	20	10	271	<b>185 644 133</b>	1.194	<b>185 644 153</b>	1.194
32	25	10	481	<b>185 644 134</b>	1.429	<b>185 644 154</b>	1.429
40	32	10	759	<b>185 644 135</b>	2.268	<b>185 644 155</b>	2.268
50	40	10	1263	<b>185 644 136</b>	4.204	<b>185 644 156</b>	4.204
63	50	6	1728	<b>185 644 137</b>	5.386	<b>185 644 157</b>	5.386

table continued on the next page



d (mm)	D (mm)	D1_G (inch)	H (mm)	H1 (mm)	H2 (mm)	H3 (mm)	H4 (mm)	H5 (mm)	H7 (mm)	L (mm)	L2 (mm)	M	e (mm)	Lift = Hx (mm)
20	68	1/8	101	14	12	60	24	16	43	196	25	M6	2	7
25	96	3/8	132	18	12	73	25	16	57	221	25	M6	2	10
32	96	1/4	143	22	12	84	25	16	57	234	25	M6	2	13
40	120	1/2	173	26	15	99	26	26	69	260	45	M8	2	15
50	150	3/4	214	32	15	119	36	26	69	284	45	M8	3	19
63	150	1/2	226	39	15	132	36	26	69	321	45	M8	3	23

d (mm)	closest inch (inch)
20	3/8
25	1/2
32	1
40	1 1/4
50	1 1/2
63	2



**SYGEF Standard**  
**Diaphragm valve DIASTAR Ten**  
**FO (Fail safe to open)**  
**Unions with fusion sockets metric**

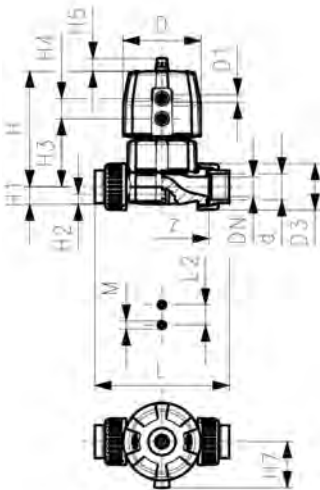
**Model:**

- Material: PVDF
- Double flow rate compared to predecessor
- One housing nut replaces four screws
- Rotating air connection at 90° intervals
- For easy installation and removal
- Short overall length

**Option:**

- Individual configuration of the valve (see diagram)
- Comprehensive range of accessories available

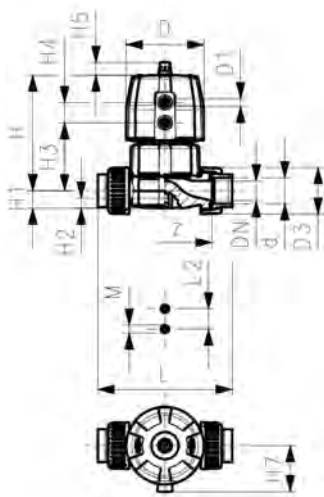
Working Pressure: **one side**



d (mm)	DN (mm)	kv-value (Δp=1 bar) (l/min)	PN (bar)	PTFE/EPDM Code	Weight (kg)	PTFE/FPM Code	Weight (kg)
20	15	125	10	<b>185 644 032</b>	0.686	<b>185 644 052</b>	0.686
25	20	271	10	<b>185 644 033</b>	1.152	<b>185 644 053</b>	1.152
32	25	481	10	<b>185 644 034</b>	1.385	<b>185 644 054</b>	1.385
40	32	759	10	<b>185 644 035</b>	2.176	<b>185 644 055</b>	2.176
50	40	1263	10	<b>185 644 036</b>	4.176	<b>185 644 056</b>	4.176
63	50	1728	6	<b>185 644 037</b>	5.268	<b>185 644 057</b>	5.268

d (mm)	D (mm)	D1_G (inch)	H (mm)	H1 (mm)	H2 (mm)	H3 (mm)	H4 (mm)	H5 (mm)	H7 (mm)	L (mm)	L2 (mm)	M	z (mm)	Lift = Hx (mm)
20	68	1/8	101	14	12	60	24	16	43	128	25	M6	100	7
25	96	3/8	132	18	12	73	25	16	57	150	25	M6	118	10
32	96	1/4	143	22	12	84	25	16	57	162	25	M6	126	13
40	120	1/2	173	26	15	99	26	26	69	184	45	M8	144	15
50	150	3/4	214	32	15	119	36	26	88	210	45	M8	164	19
63	150	1/2	226	39	15	132	36	26	88	248	45	M8	194	23

table continued on the next page



**d**    **closest**  
(mm)    **inch**  
          (inch)

20	¾
25	1
32	1 ¼
40	1 ½
50	2
63	2 ¼



**SYGEF Standard**  
**Diaphragm valve DIASTAR Ten**  
**FC (Fail safe to close)**  
**With butt fusion spigots metric**

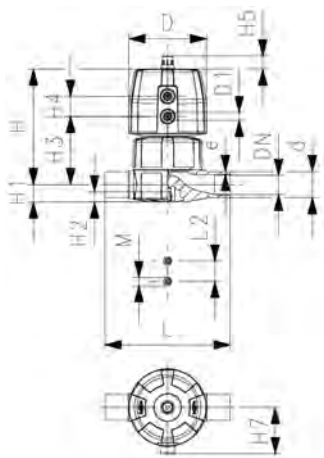
**Model:**

- Material: PVDF
- Double flow rate compared to predecessor
- One housing nut replaces four screws
- Rotating air connection at 90° intervals

**Option:**

- Individual configuration of the valve (see diagram)
- Comprehensive range of accessories available

Working Pressure: **one side**



d	DN	PN	kv-value	PTFE/EPDM	Weight	PTFE/FPM	Weight
(mm)	(mm)	(bar)	( $\Delta p=1$ bar)	Code	(kg)	Code	(kg)
20	15	10	125	<b>185 625 132</b>	0.541	<b>185 625 152</b>	0.541
25	20	10	271	<b>185 625 133</b>	1.191	<b>185 625 153</b>	1.191
32	25	10	481	<b>185 625 134</b>	1.403	<b>185 625 154</b>	1.403
40	32	10	759	<b>185 625 135</b>	2.243	<b>185 625 155</b>	2.243
50	40	10	1263	<b>185 625 136</b>	3.826	<b>185 625 156</b>	3.826
63	50	6	1728	<b>185 625 137</b>	4.636	<b>185 625 157</b>	4.636

d	D	D1_G	H	H1	H2	H3	H4	H5	H7	L	L2	M	e	Lift = Hx
(mm)	(mm)	(inch)	(mm)	(mm)	(mm)	(mm)	(mm)	(mm)	(mm)	(mm)	(mm)		(mm)	(mm)
20	68	¾	101	14	12	60	24	16	43	124	25	M6	2	7
25	96	1	132	18	12	73	25	16	57	144	25	M6	2	10
32	96	1	143	22	12	84	25	16	57	154	25	M6	2	13
40	120	1 ¼	173	26	15	99	26	26	69	174	45	M8	2	15
50	150	1 ½	214	32	15	119	36	26	88	194	45	M8	3	19
63	150	1 ½	226	39	15	132	36	26	88	224	45	M8	3	23

**d**    **closest**  
(mm)    **inch**  
          (inch)

20	¾
25	1
32	1 ¼
40	1 ½
50	2
63	2 ¼



**SYGEF Standard**  
**Diaphragm valve DIASTAR Ten**  
**FC (Fail safe to close)**  
**With socket fusion spigots metric**

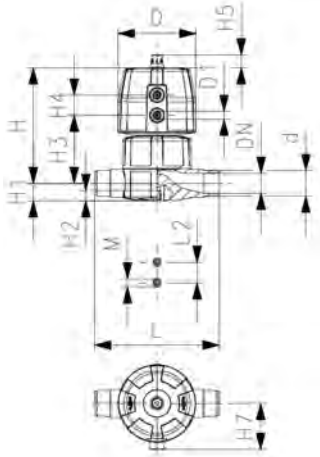
**Model:**

- Material: PVDF
- Double flow rate compared to predecessor
- One housing nut replaces four screws
- Rotating air connection at 90° intervals
- Overall length EN 558

**Option:**

- Individual configuration of the valve (see diagram)
- Comprehensive range of accessories available

Working Pressure: **one side**



d (mm)	DN (mm)	PN (bar)	kv-value ( $\Delta p=1$ bar) (l/min)	PTFE/EPDM Code	Weight (kg)	PTFE/FPM Code	Weight (kg)
20	15	10	125	<b>185 625 032</b>	0.670	<b>185 625 052</b>	0.670
25	20	10	271	<b>185 625 033</b>	1.199	<b>185 625 053</b>	1.199
32	25	10	481	<b>185 625 034</b>	1.411	<b>185 625 054</b>	1.411
40	32	10	759	<b>185 625 035</b>	2.268	<b>185 625 055</b>	2.268
50	40	10	1263	<b>185 625 036</b>	3.871	<b>185 625 056</b>	3.871
63	50	6	1728	<b>185 625 037</b>	4.718	<b>185 625 057</b>	4.718

d (mm)	D (mm)	D1_G (inch)	H (mm)	H1 (mm)	H2 (mm)	H3 (mm)	H4 (mm)	H5 (mm)	H7 (mm)	L (mm)	L2 (mm)	M	Lift = Hx (mm)	closest inch (inch)
20	68	1/8	101	14	12	60	24	16	43	124	25	M6	7	1/2
25	96	1/8	132	18	12	73	25	16	57	144	25	M6	10	3/4
32	96	1/8	143	22	12	84	25	16	57	154	25	M6	13	1
40	120	1/8	173	26	15	99	26	26	69	174	45	M8	15	1 1/4
50	150	1/8	214	32	15	119	36	26	88	194	45	M8	19	1 1/2
63	150	1/8	226	39	15	132	36	26	88	224	45	M8	23	2



# Diaphragm valves pneumatic



**SYGEF Standard**  
**Diaphragm valve type DIASTAR 025**  
**Function FC (Fail safe to close)**  
**With fixed flanges PVDF Inch ANSI**

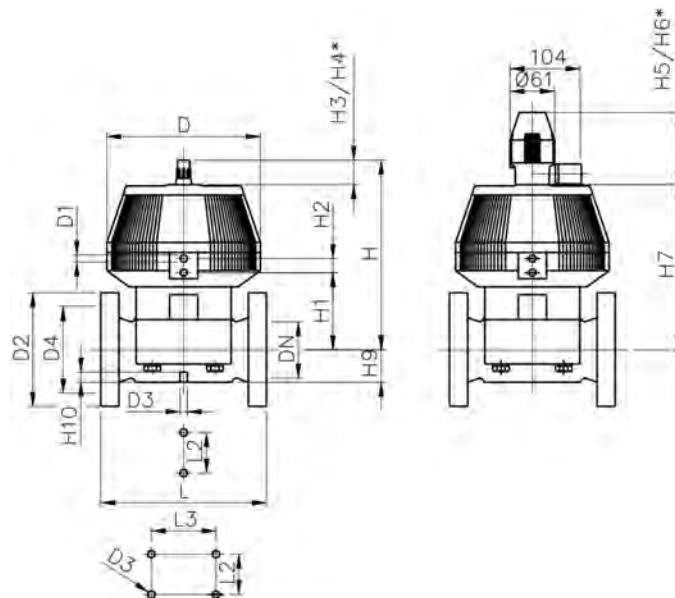
**Model:**

- Material: PVDF
- Overall length according to EN 558
- Connecting dimension: ANSI/ASME B 16.5 class 150, ASTM D 4024, BS 1560, BS EN 1759
- With position indicator / Working pressure: on one side
- \* With backing flanges PP-V
- \*\* Connecting dimensions DN80 and DN150 metric and Inch ANSI B16.5

	d (mm)	Size (inch)	DN (mm)	PN (bar)	kv-value ( $\Delta p=1$ bar) (L/min)	PTFE/EPDM Code	Weight (kg)
*		2 ½	65	10	992	<b>199 025 327</b>	14.200
**	90	3	80	10	1700	<b>199 025 358</b>	18.948
		4	100	6	2700	<b>199 025 329</b>	26.500

	D	D1_G	D2	D3[M]	D4	H	H1	H2	H3	H4	H5	H6	H7	H9	H10
	(mm)	(inch)	(mm)	(mm)	(mm)	(mm)	(mm)	(mm)	(mm)	(mm)	(mm)	(mm)	(mm)	(mm)	(mm)
*	280	¼	185	8	145	344	148	24	46	100	129	195	298	46	15
**	280	¼	200	12	160	348	150	24	46	100	129	195	302	57	15
	335	¼	225	12	180	395	176	24	46	100	129	195	349	69	20

	L	L2
	(mm)	(mm)
*	290	70
**	310	120
	350	120





**SYGEF Standard**  
**Diaphragm valve type DIASTAR 025**  
**Function FC (Fail safe to close)**  
**With fixed flanges PVDF metric**

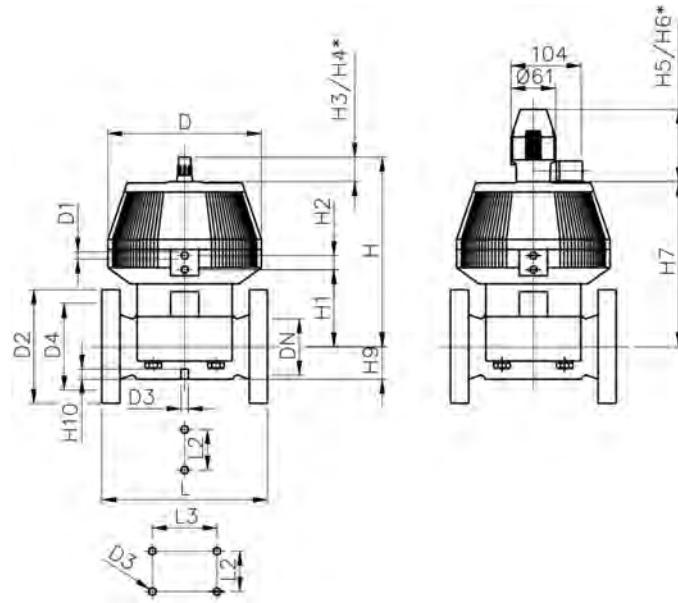
**Model:**

- Material: PVDF
- Connecting dimension: ISO 7005 / EN 1092 / DIN 25 PN10 / BS4504
- With position indicator / Working pressure: on one side
- \* With backing flanges PP-V
- \*\* Connecting dimensions DN80 and DN150 metric and Inch ANSI B16.5

	d (mm)	Size (inch)	DN (mm)	PN (bar)	kv-value ( $\Delta p=1$ bar) (l/min)	PTFE/EPDM Code	Weight (kg)
*	75	2 1/2	65	10	992	<b>199 025 357</b>	13.600
**	90	3	80	10	1700	<b>199 025 358</b>	18.948
	110	4	100	6	2700	<b>199 025 359</b>	32.500

	d (mm)	D (mm)	D1_G (inch)	D2 (mm)	D3[M] (mm)	D4 (mm)	H (mm)	H1 (mm)	H2 (mm)	H3 (mm)	H4 (mm)	H5 (mm)	H6 (mm)	H7 (mm)	H9 (mm)
*	75	280	1/4	185	8	145	344	148	24	46	100	129	195	298	46
**	90	280	1/4	200	12	160	348	150	24	46	100	129	195	302	57
	110	335	1/4	225	12	180	395	176	24	46	100	129	195	349	69

	d (mm)	H10 (mm)	L (mm)	L2 (mm)
*	75	15	290	70
**	90	15	310	120
	110	20	350	120





**SYGEF Standard**  
**Diaphragm valve type DIASTAR 025**  
**Function FO (Fail safe to open)**  
**With fixed flanges PVDF metric**

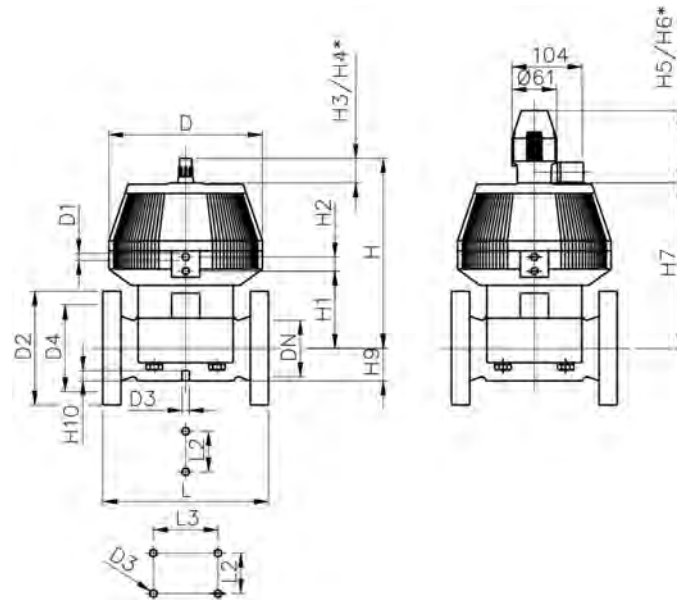
**Model:**

- Material: PVDF
- Connecting dimension: ISO 7005 / EN 1092 / DIN 25 PN10 / BS4504
- With position indicator / Working pressure: on one side
- \* With backing flanges PP-V
- \*\* Connecting dimensions DN80 and DN150 metric and Inch ANSI B16.5

	d (mm)	DN (mm)	Size (inch)	PN (bar)	kv-value ( $\Delta p=1$ bar) (l/min)	PTFE/EPDM Code	Weight (kg)
*	75	65	2 ½	10	992	<b>199 025 367</b>	13.600
**	90	80	3	10	1700	<b>199 025 368</b>	17.400
	110	100	4	6	2700	<b>199 025 369</b>	24.700
**	160	150	6	6	6033	<b>199 025 370</b>	19.000

	d (mm)	D (mm)	D1_G (inch)	D2 (mm)	D3[M] (mm)	D4 (mm)	H (mm)	H1 (mm)	H2 (mm)	H3 (mm)	H4 (mm)	H5 (mm)	H6 (mm)	H7 (mm)	H9 (mm)
*	75	280	¼	185	8	145	344	148	24	46	100	129	195	298	46
**	90	280	¼	200	12	160	348	150	24	46	100	129	195	302	57
	110	335	¼	225	12	180	395	176	24	46	100	129	195	349	69
**	160	335	¼	285	12	240	455	237	24	46	100	129	195	409	108

	d (mm)	H10 (mm)	L (mm)	L2 (mm)	L3 (mm)
*	75	15	290	70	
**	90	15	310	120	
	110	20	350	120	
**	160	20	480	100	200





**SYGEF Standard**  
**Diaphragm valve type DIASTAR 025**  
**Function FO (Fail safe to open)**  
**With fixed flanges PVDF Inch ANSI**

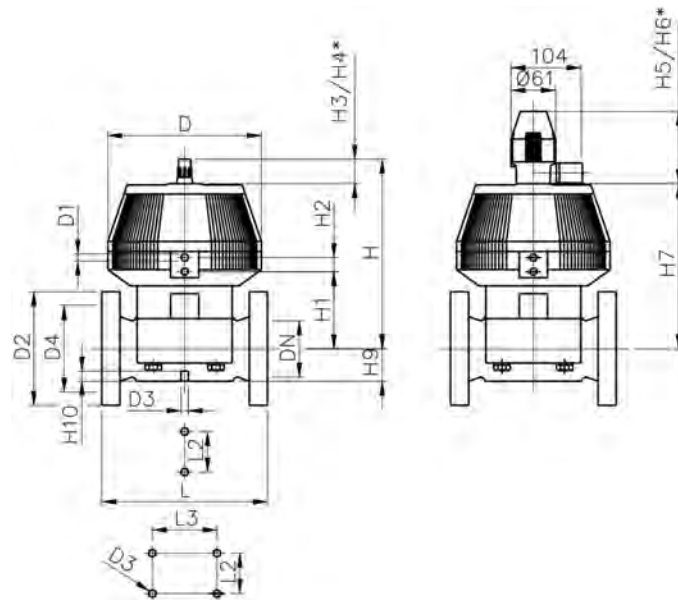
**Model:**

- Material: PVDF
- Overall length according to EN 558
- Connecting dimension: ANSI/ASME B 16.5 class 150, ASTM D 4024, BS 1560, BS EN 1759
- With position indicator / Working pressure: on one side
- \* With backing flanges PP-V
- \*\* Connecting dimensions DN80 and DN150 metric and Inch ANSI B16.5

	d (mm)	Size (inch)	DN (mm)	PN (bar)	kv-value ( $\Delta p=1$ bar) (L/min)	PTFE/EPDM Code	Weight (kg)
*		2 ½	65	10	992	<b>199 025 337</b>	12.200
**	90	3	80	10	1700	<b>199 025 368</b>	17.400
		4	100	6	2700	<b>199 025 339</b>	23.400
**	160	6	150	6	6033	<b>199 025 370</b>	19.000

	D	D1_G	D2	D3[M]	D4	H	H1	H2	H3	H4	H5	H6	H7	H9	H10
	(mm)	(inch)	(mm)	(mm)	(mm)	(mm)	(mm)	(mm)	(mm)	(mm)	(mm)	(mm)	(mm)	(mm)	(mm)
*	280	¼	185	8	145	344	148	24	46	100	129	195	298	46	15
**	280	¼	200	12	160	348	150	24	46	100	129	195	302	57	15
	335	¼	225	12	180	395	176	24	46	100	129	195	349	69	20
**	335	¼	285	12	240	455	237	24	46	100	129	195	409	108	20

	L	L2	L3
	(mm)	(mm)	(mm)
*	290	70	
**	310	120	
	350	120	
**	480	100	200





**SYGEF Standard**  
**Diaphragm valve type DIASTAR 025**  
**Function DA (Double acting)**  
**With fixed flanges PVDF metric**

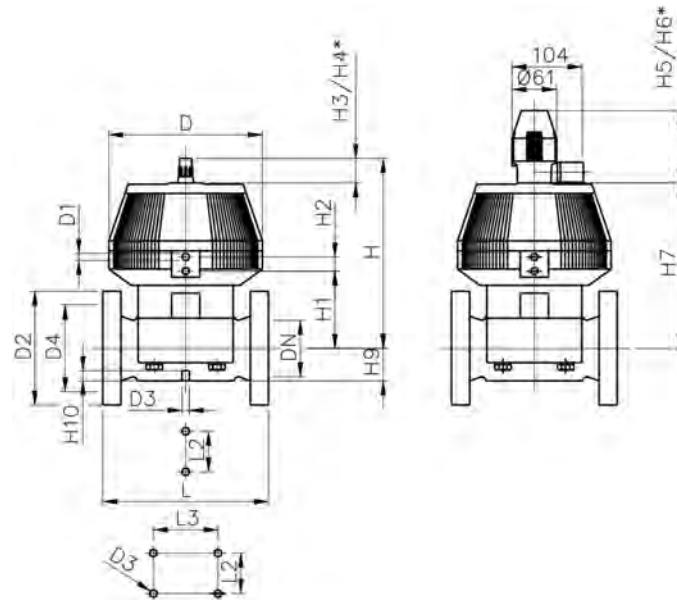
**Model:**

- Material: PVDF
- Connecting dimension: ISO 7005 / EN 1092 / DIN 25 PN10 / BS4504
- With position indicator / Working pressure: on one side
- \* With backing flanges PP-V
- \*\* Connecting dimensions DN80 and DN150 metric and Inch ANSI B16.5

	d (mm)	DN (mm)	Size (inch)	PN (bar)	kv-value ( $\Delta p=1$ bar) (l/min)	PTFE/EPDM Code	Weight (kg)
*	75	65	2 ½	10	992	<b>199 025 377</b>	13.600
**	90	80	3	10	1700	<b>199 025 378</b>	17.400
	110	100	4	6	2700	<b>199 025 379</b>	25.534
**	160	150	6	6	6033	<b>199 025 380</b>	35.000

	d (mm)	D (mm)	D1_G (inch)	D2 (mm)	D3[M] (mm)	D4 (mm)	H (mm)	H1 (mm)	H2 (mm)	H3 (mm)	H4 (mm)	H5 (mm)	H6 (mm)	H7 (mm)	H9 (mm)
*	75	280	¼	185	8	145	344	148	24	46	100	129	195	298	46
**	90	280	¼	200	12	160	348	150	24	46	100	129	195	302	57
	110	335	¼	225	12	180	395	176	24	46	100	129	195	349	69
**	160	335	¼	285	12	240	455	237	24	46	100	129	195	409	108

	d (mm)	H10 (mm)	L (mm)	L2 (mm)	L3 (mm)
*	75	15	290	70	
**	90	15	310	120	
	110	20	350	120	
**	160	20	480	100	200





**SYGEF Standard**  
**Diaphragm valve type DIASTAR 025**  
**Function DA (Double acting)**  
**With fixed flanges PVDF Inch ANSI**

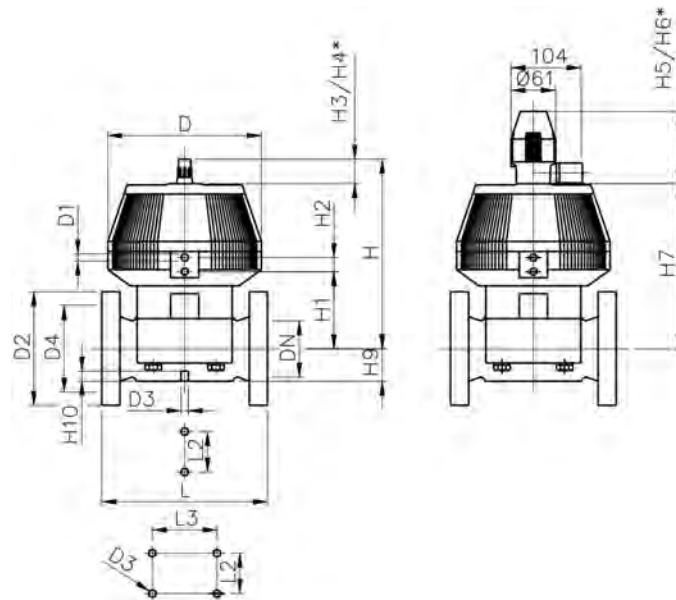
**Model:**

- Material: PVDF
- Overall length according to EN 558
- Connecting dimension: ANSI/ASME B 16.5 class 150, ASTM D 4024, BS 1560, BS EN 1759
- With position indicator / Working pressure: on one side
- \* With backing flanges PP-V
- \*\* Connecting dimensions DN80 and DN150 metric and Inch ANSI B16.5

	<b>d</b> (mm)	<b>Size</b> (inch)	<b>DN</b> (mm)	<b>PN</b> (bar)	<b>kv-value</b> ( $\Delta p=1$ bar) (L/min)	<b>PTFE/EPDM</b> <b>Code</b>	<b>Weight</b> (kg)
*		2 ½	65	10	992	<b>199 025 347</b>	13.000
**	90	3	80	10	1700	<b>199 025 378</b>	17.400
		4	100	6	2700	<b>199 025 349</b>	24.100
**	160	6	150	6	6033	<b>199 025 380</b>	35.000

	<b>D</b>	<b>D1_G</b>	<b>D2</b>	<b>D3[M]</b>	<b>D4</b>	<b>H</b>	<b>H1</b>	<b>H2</b>	<b>H3</b>	<b>H4</b>	<b>H5</b>	<b>H6</b>	<b>H7</b>	<b>H9</b>	<b>H10</b>
	(mm)	(inch)	(mm)	(mm)	(mm)	(mm)	(mm)	(mm)	(mm)	(mm)	(mm)	(mm)	(mm)	(mm)	(mm)
*	280	¼	185	8	145	344	148	24	46	100	129	195	298	46	15
**	280	¼	200	12	160	348	150	24	46	100	129	195	302	57	15
	335	¼	225	12	180	395	176	24	46	100	129	195	349	69	20
**	335	¼	285	12	240	455	237	24	46	100	129	195	409	108	20

	<b>L</b>	<b>L2</b>	<b>L3</b>
	(mm)	(mm)	(mm)
*	290	70	
**	310	120	
	350	120	
**	480	100	200





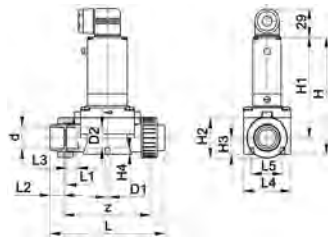
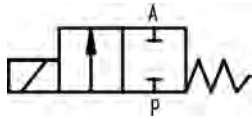
# Solenoid valve



## Solenoid valve type 165 Straight-through valve 2/2 ways 230V 50Hz

### Model:

- Function A, PN 0.5-6bar
- Material PVDF: with fusion socket metric
- Material PVC-U: with solvent cement socket metric
- Protection class IP 65
- Electrical connection: cable plug
- With manual override



d (mm)	DN (mm)	kv-value ( $\Delta p=1$ bar) (L/min)	PVC-U EPDM Code	PVC-U FPM Code	PVDF EPDM Code	PVDF FPM Code
20	15	83	199 165 012	199 165 002		
25	20	100	199 165 013	199 165 003		
32	25	233	199 165 014	199 165 004		
40	32	267	199 165 015	199 165 005		
50	40	500	199 165 016	199 165 006		
63	50	600	199 165 017	199 165 007		
20	15	83			199 165 412	199 165 402
25	20	100			199 165 413	199 165 403
32	25	233			199 165 414	199 165 404
40	32	500			199 165 415	199 165 405
50	40	500			199 165 416	199 165 406
63	50	600			199 165 417	199 165 407

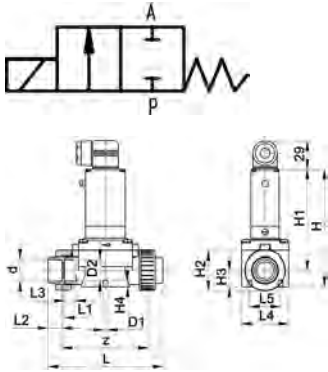
d (mm)	H4 (mm)	L2 (mm)	L5 (mm)	z (mm)	H2 (mm)	L (mm)	L1 (mm)	H (mm)	H3 (mm)	H1 (mm)	L4 (mm)
20	8	16	40	116	53	148	110	148	22	122	63
25	8	19	40	116	53	154	110	148	22	122	62
32	15	22	45	147	76	190	141	175	31	137	85
40	15	26	45	147	76	198	141	175	31	137	85
50	15	31	45	198	105	254	192	212	42	160	115
63	15	38	45	198	105	268	192	212	42	160	115
20	8	16	40	120	53	147	109	148	22	122	63
25	8	18	40	120	53	151	109	148	22	122	62
32	15	20	45	150	76	185	139	175	31	137	85
40	15	22	45	150	76	189	139	175	31	137	85
50	15	25	45	200	105	245	189	212	42	160	115
63	15	29	45	200	105	253	189	212	42	160	115



**Solenoid valve type 165**  
**Straight-through valve 2/2 ways**  
**115V 50Hz**

**Model:**

- Function A, PN 0.5-6bar
- Material PVDF: with fusion socket metric
- Material PVC-U: with solvent cement socket metric
- Protection class IP 65
- Electrical connection: cable plug
- With manual override



d (mm)	DN (mm)	kv-value ( $\Delta p=1$ bar) (L/min)	PVC-U EPDM Code	PVC-U FPM Code	PVDF EPDM Code	PVDF FPM Code
20	15	83	199 165 042	199 165 032		
25	20	100	199 165 043	199 165 033		
32	25	233	199 165 044	199 165 034		
40	32	267	199 165 045	199 165 035		
50	40	500	199 165 046	199 165 036		
63	50	600	199 165 047	199 165 037		
20	15	83			199 165 442	199 165 432
25	20	100			199 165 443	199 165 433
32	25	233			199 165 444	199 165 434
40	32	267			199 165 445	199 165 435
50	40	500			199 165 446	199 165 436
63	50	600			199 165 447	199 165 437

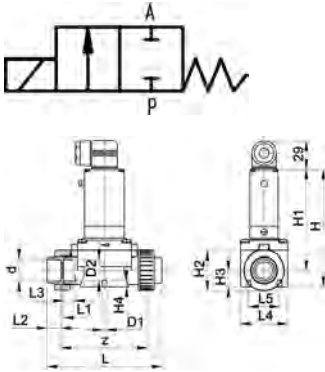
d (mm)	H4 (mm)	L2 (mm)	L5 (mm)	z (mm)	H2 (mm)	L (mm)	L1 (mm)	H (mm)	H3 (mm)	H1 (mm)	L4 (mm)
20	8	16	40	116	53	148	110	148	22	122	63
25	8	19	40	116	53	154	110	148	22	122	62
32	15	22	45	147	76	190	141	175	31	137	85
40	15	26	45	147	76	198	141	175	31	137	85
50	15	31	45	198	105	254	192	212	42	160	115
63	15	38	45	198	105	268	192	212	42	160	115
20	8	16	40	120	53	147	109	148	22	122	63
25	8	18	40	120	53	151	109	148	22	122	62
32	15	20	45	150	76	185	139	175	31	137	85
40	15	22	45	150	76	189	139	175	31	137	85
50	15	25	45	200	105	245	189	212	42	160	115
63	15	29	45	200	105	253	189	212	42	160	115



**Solenoid valve type 165**  
**Straight-through valve 2/2 ways**  
**24V DC**

**Model:**

- Function A, PN 0.5-6bar
- Material PVDF: with fusion socket metric
- Material PVC-U: with solvent cement socket metric
- Protection class IP 65
- Electrical connection: cable plug
- With manual override



d (mm)	DN (mm)	kv-value ( $\Delta p=1$ bar) (L/min)	PVC-U EPDM Code	PVC-U FPM Code	PVDF EPDM Code	PVDF FPM Code
20	15	83	199 165 022	199 165 072		
25	20	100	199 165 023	199 165 073		
32	25	233	199 165 024	199 165 074		
40	32	267	199 165 025	199 165 075		
50	40	500	199 165 026	199 165 076		
63	50	600	199 165 027	199 165 077		
20	15	83			199 165 422	199 165 452
25	20	100			199 165 423	199 165 453
32	25	233			199 165 424	199 165 454
40	32	267			199 165 425	199 165 455
50	40	500			199 165 426	199 165 456
63	50	600			199 165 427	199 165 457

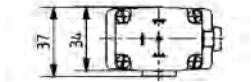
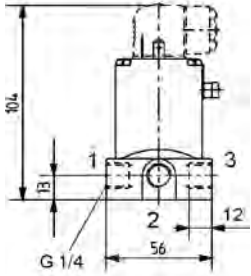
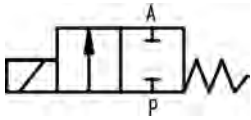
d (mm)	H4 (mm)	L2 (mm)	L5 (mm)	z (mm)	H2 (mm)	L (mm)	L1 (mm)	H (mm)	H3 (mm)	H1 (mm)	L4 (mm)
20	8	16	40	116	53	148	110	148	22	122	63
25	8	19	40	116	53	154	110	148	22	122	62
32	15	22	45	147	76	190	141	175	31	137	85
40	15	26	45	147	76	198	141	175	31	137	85
50	15	31	45	198	105	254	192	212	42	160	115
63	15	38	45	198	105	268	192	212	42	160	115
20	8	16	40	120	53	147	109	148	22	122	63
25	8	18	40	120	53	151	109	148	22	122	62
32	15	20	45	150	76	185	139	175	31	137	85
40	15	22	45	150	76	189	139	175	31	137	85
50	15	25	45	200	105	245	189	212	42	160	115
63	15	29	45	200	105	253	189	212	42	160	115



**Solenoid valve type 166**  
**Straight-through valve 2/2 ways**

**Model:**

- Material: PVDF, PP-H
- Function A
- With manual override
- Electrical connection: cable plug
- Protection class IP 65



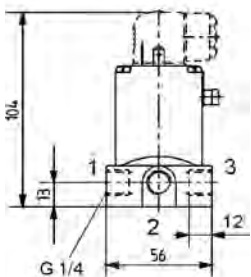
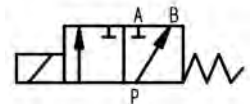
DN (mm)	D1_G (inch)	Voltage	PN (bar)	kv-value ( $\Delta p=1$ bar) (l/min)	PP-H EPDM Code	PP-H FPM Code	PVDF FPM Code
3	1/4	24V DC	0.0 - 8.0	4	199 166 000	199 166 005	199 166 505
4	1/4	24V DC	0.0 - 4.0	5	199 166 001	199 166 006	199 166 506
5	1/4	24V DC	0.0 - 3.0	6	199 166 002	199 166 007	199 166 507
3	1/4	230V 50Hz $\pm$ 10%	0.0 - 10.0	4	199 166 010	199 166 015	199 166 515
4	1/4	230V 50Hz $\pm$ 10%	0.0 - 5.0	5	199 166 011	199 166 016	199 166 516
5	1/4	230V 50Hz $\pm$ 10%	0.0 - 4.5	6	199 166 012	199 166 017	199 166 517



**Solenoid valve type 166**  
**Distribution valve 3/2 ways**

**Model:**

- Material: PP-H
- With manual override
- Electrical connection: cable plug
- Protection class IP 65



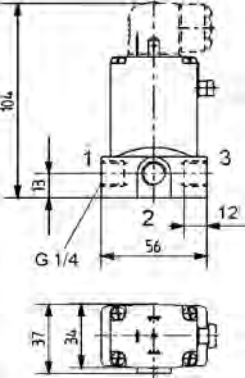
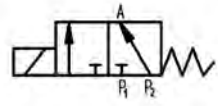
DN (mm)	D1_G (inch)	Voltage	PN (bar)	kv-value ( $\Delta p=1$ bar) (l/min)	Function	EPDM Code	FPM Code
4	1/4	24V AC/DC	0 - 4	5	F	199 166 201	199 166 206
4	1/4	230V 50Hz $\pm$ 10%	0 - 5	5	A	199 166 011	199 166 016



**Solenoid valve type 166**  
**Mixing valve 3/2 ways**

**Model:**

- Material: PVDF, PP-H
- Function E
- With manual override
- Electrical connection: cable plug
- Protection class IP 65



DN (mm)	D1_G (inch)	Voltage	PN (bar)	kv-value ( $\Delta p=1$ bar) (l/min)	PP-H EPDM Code	PP-H FPM Code	PVDF FPM Code
3	1/4	24V AC/DC	0 - 4	4	<b>199 166 150</b>	<b>199 166 155</b>	
3	1/4	230V 50Hz $\pm$ 10%	0 - 6	4	<b>199 166 160</b>	<b>199 166 165</b>	
4	1/4	24V AC/DC	0 - 2	5	<b>199 166 151</b>	<b>199 166 156</b>	<b>199 166 656</b>
4	1/4	230V 50Hz $\pm$ 10%	0 - 3	5	<b>199 166 161</b>	<b>199 166 166</b>	<b>199 166 666</b>

# AQUATAP



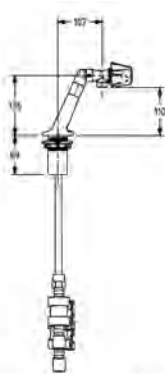
## Type 530 AquaTap Recirculating Laboratory Faucet Made of SYGEF PVDF with 5/8" PFA Tubing and Flare Connections

- The faucet is made from high purity PVDF
- Mounting hole diameter 2" - 2 1/8"

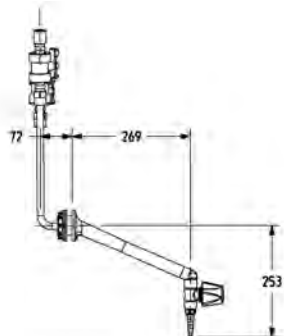
description	Code
Deck Mount Hose Barb	175 530 101
Wall Mount to Ceiling Hose Barb	175 530 102
Wall Mount to Floor Hose Barb	175 530 103
Deck Mount Dual Head	175 530 104
Deck Mount Short Version Female 3/8" NPT	175 530 105
Wall Mount Short to Ceiling	175 530 106
Wall Mount with Hose Barb to Floor Short	175 530 107
Wall Mount with Hose Barb to Mounting Elevation	175 530 118



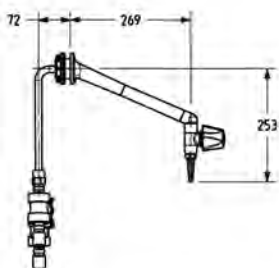
Deck mount with hose barb



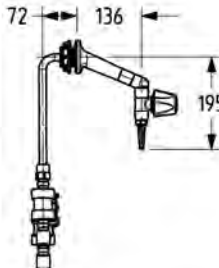
Short deck mount with loose hose barb



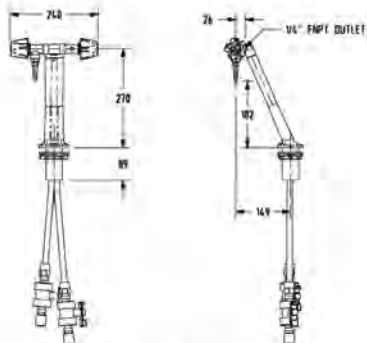
Wall mount to ceiling



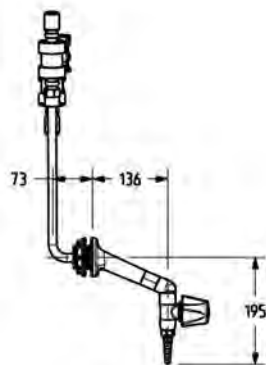
Wall mount to floor



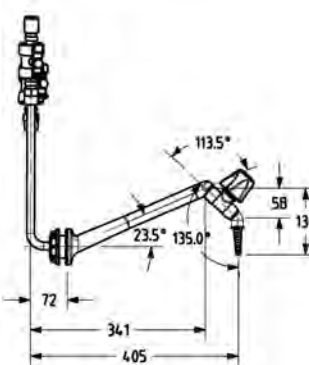
Wall mount to floor short



Deck mount dual head



Wall mount to ceiling short



Wall mount with hose barb at mounting level

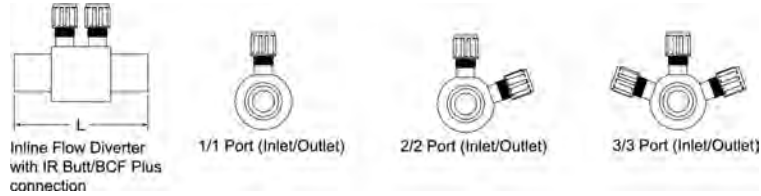




### PROGEF Standard PP Inline Flow Diverter IR Plus Fusion

- Shipped with nuts and tube blankoffs
- Other dimension available upon request
- NOTE: Inline Flow Diverter is designed to be used with Georg Fischer Aquatap Faucet and is not sold separately.

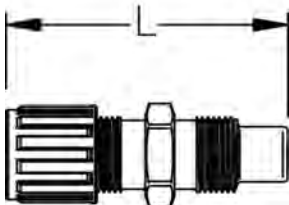
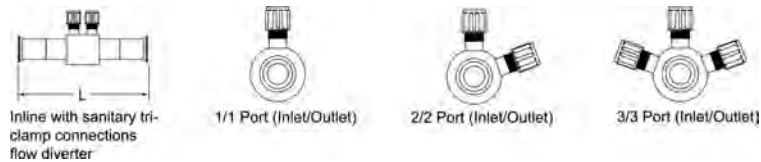
d (mm)	L (mm)	Ports 1/1 Code	Ports 2/2 Code	Ports 3/3 Code
25	180	<b>167 530 123</b>		
32	180	<b>167 530 124</b>	<b>167 530 144</b>	<b>167 530 164</b>
40	180	<b>167 530 125</b>	<b>167 530 145</b>	<b>167 530 165</b>
50	180	<b>167 530 126</b>	<b>167 530 146</b>	<b>167 530 166</b>
63	180	<b>167 530 127</b>	<b>167 530 147</b>	<b>167 530 167</b>
75	180	<b>167 530 128</b>	<b>167 530 148</b>	<b>167 530 168</b>



### PROGEF Standard PP Inline Flow Diverter Sanitary Tri-Clamp

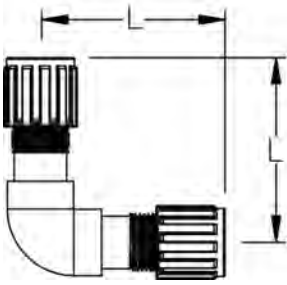
- Shipped with nuts and tube blankoffs
- NOTE: Inline Flow Diverter is designed to be used with Georg Fischer Aquatap Faucet and is not sold separately.

### (inch)	L (mm)	Ports 1/1 Code	Ports 2/2 Code	Ports 3/3 Code
1 1/2	294	<b>167 530 225</b>	<b>167 530 245</b>	<b>167 530 265</b>
2	316	<b>167 530 226</b>	<b>167 530 246</b>	<b>167 530 266</b>
2 1/2	314	<b>167 530 227</b>	<b>167 530 247</b>	<b>167 530 267</b>



### Straight Coupler, Flare Adapter

Size	L (mm)	PVDF Code	Weight (lb)
5/8" Flare Adapters	75	<b>175 530 011</b>	0.093



### 90° Elbow, Flare Adapter

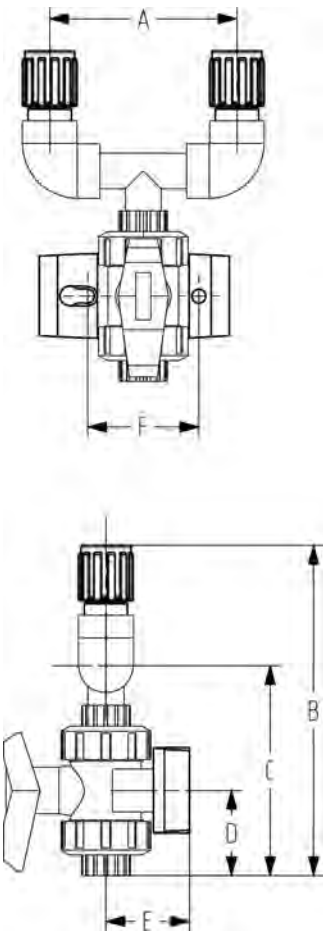
Size	L (mm)	PVDF Code
5/8" Flare Adapters	85	175 530 012



### Point of Use (POU) Tee Valve

- must be used with inline flow diverter

EPDM Code	FPM Code	Size	A (inch)	B (inch)	C (inch)	D (inch)	E (inch)	F (inch)
157 320 001	157 321 001	1/2" FNPT x 5/8" Tube Flare	104.2	184.2	117.3	47.6	46.6	70.0



### 5/8" Compression Fittings

description	PVDF Code	Natural PP Code
5/8" Tube x 5/8" Tube Straight Coupler	175 530 013	168 530 013
5/8" Tube x 5/8" Tube 90 Elbow	175 530 014	168 530 014
5/8" Tube x 1/2" Tube MNPT Tee	175 530 015	168 530 015
5/8" Tube x 1/2" Tube NPT Male Adapter	175 530 016	168 530 016
5/8" Tube x 1/2" Tube NPT Female Adapter	175 530 017	168 530 017

### Flexible 5/8" Tubing

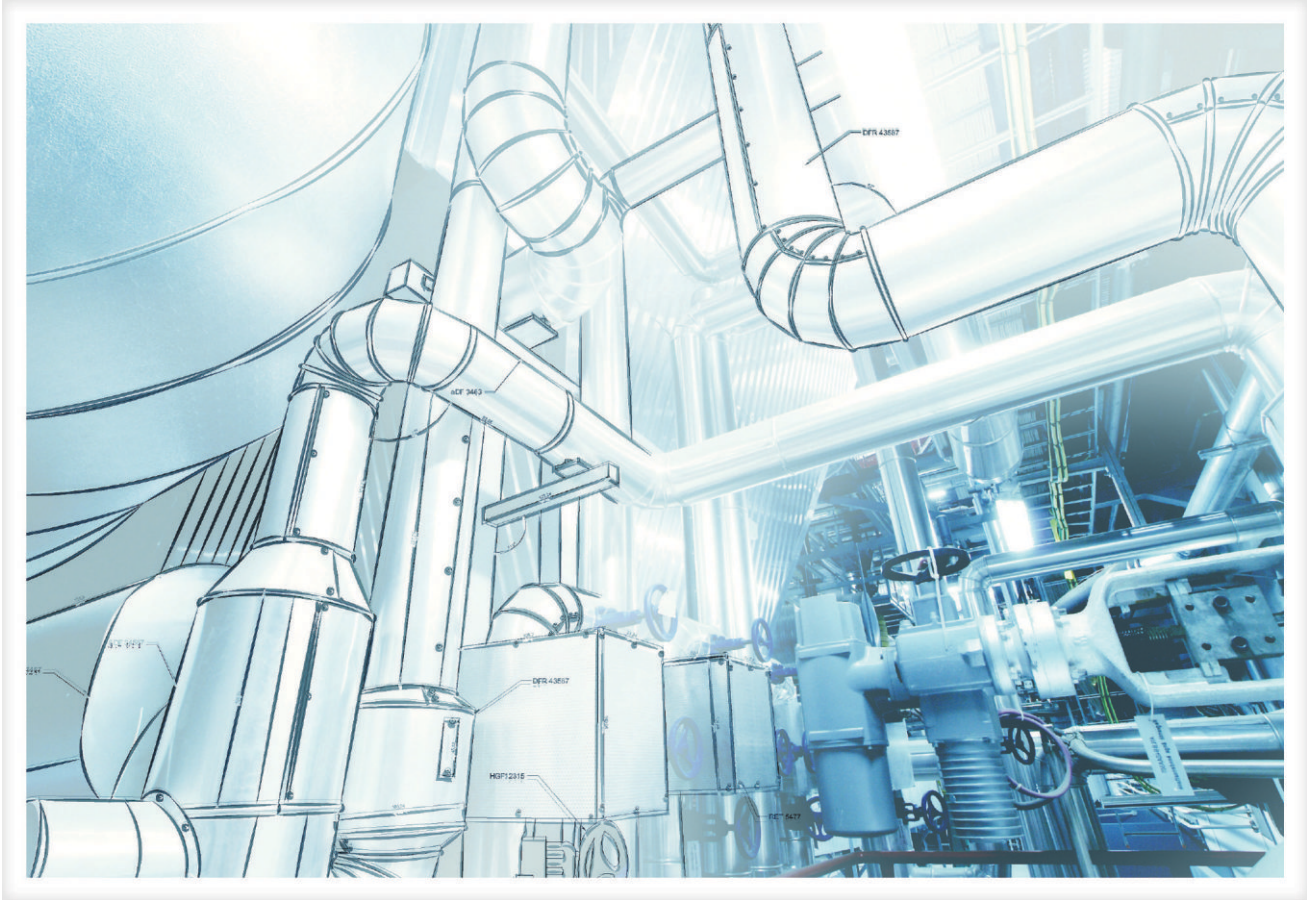
- PFA comes in 25 ft. bundles.
- PE comes in 100 ft. bundles.

description	Material	Code
5/8" dia x 0.65 wall Tubing (Plain)	PFA	178 530 001
5/8" dia x 0.65 wall Tubing (Plain)	PE	193 530 001

### Accessories

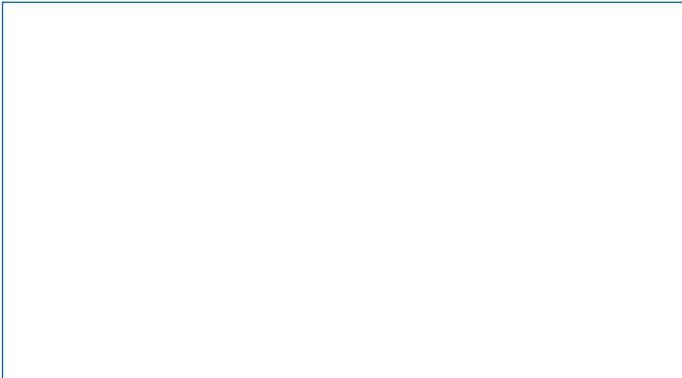
description	Code
90 Bend Tube Protector	150 530 002
Tube Clip	150 530 003
5/8" Flare Nut	175 530 010
5/8" Tube Blankoff	193 530 010
Faucet Isolation Clamp	150 530 001
ADA Handle	150 530 202
Aerator Outlet	150 530 204
Barb Outlet	150 530 203





GF Africa **Contact Details**

- T. + 27 21 702 0059
- E. [info@gf-africa.com](mailto:info@gf-africa.com)
- W. [www.gf-africa.com](http://www.gf-africa.com)



Authorised Distributor

