

SYGEF ECTFE

Highest reliability under extreme conditions

The piping system for aggressive applications



The SYGEF ECTFE system
ensures maximum safety.

Extremely reliable



The SYGEF ECTFE system also performs excellently under extreme conditions, consistently and reliably. Limited maintenance and a long service life ensure considerable cost reductions.

For the transport of aggressive media such as concentrated sulfuric acid (H_2SO_4) or hydrogen peroxide (H_2O_2) under high pressure and temperature conditions, alternative materials such as PP, PVC or PVDF quickly reach their limits. At the same time, due to their lengthy assembly times, high weight and exterior corrosion susceptibility, lined steel pipes are not an entirely satisfying system solution either.

In contrast, the ECTFE system from GF Piping Systems was designed specifically as a high-end solution for extreme conditions. The piping system has been proven to be extremely resistant and reliable for the transport of bases or highly concentrated acids. At the same time, users benefit from quick assembly, a long system service life, and lower initial costs than welded PFA systems. The combination with the latest IR welding technology from GF Piping Systems provides the highest level of safety for people, the environment and the production process.

Content

Extremely reliable	3
Benefits SYGEF ECTFE	4–5
The GF Piping Systems testing laboratory	6
System overview SYGEF ECTFE	7–9
SYGEF ECTFE applied	10–13
Infrared welding	14
Services	15
SYGEF ECTFE Scope of delivery	16–37

SYGEF meets the highest requirements since 45 years

With the ECTFE system we are expanding the established SYGEF brand family by a safe, reliable and cost reducing high-end solution for extremely aggressive media. SYGEF ECTFE is suitable for exceptionally demanding applications in the industrial sector and combines highest chemical, pressure and temperature resistance with economic and efficient operation.

For nearly 45 years, the SYGEF fluoropolymer systems have been used in industrial applications with high demands for physical properties such as pressure, temperature and chemical resistance, as well as highest purity requirements in the high purity sector. SYGEF systems are known across all industries for the highest requirements in terms of material and manufacturing quality.

With the new SYGEF ECTFE system, GF Piping Systems has expanded its proven solutions with a complete system, which sets new standards for transporting particularly aggressive media such as highly concentrated sulfuric acid. The ECTFE product portfolio includes the complete range of pipes, fitting and innovative jointing technology. This gives users a suitable solution that complements the existing industrial portfolio of PP-, PVC- or PVDF-plastic piping

systems. Similar to all SYGEF system solutions, the particularly robust ECTFE system is produced at the world's largest clean room plant for fluoropolymer products in Ettenheim, Germany. The fully controlled processes coupled with unique quality assurance warranties 100% traceability of each individual product.

The ECTFE fluoropolymer system benefits wherever other plastic piping system solutions reach their limits or metal pipes are chemically attacked. Alternative materials like PFA or PTFE can be quickly, reliably and cost-effectively substituted by ECTFE. Compared to PFA ECTFE enables higher pressure ranges and allows a streamlined and efficient installation design. The ECTFE system is about 50% more cost-effective than IR-welded PFA solutions.



SYGEF ECTFE

Safe handling of aggressive media



The SYGEF ECTFE piping system shows its advantages when it comes to manufacturing, transport and filling of concentrated chemicals under high temperature and pressure. This property makes ECTFE an ideal addition to the SYGEF fluoropolymer family. Due to faster assembly, lower initial costs and longer service life compared to alternative solutions, an economical transport of particularly aggressive media is achieved. The system is well suited for the chemical process industry, water treatment and microelectronics.



+ Safe and reliable

The ECTFE system enables safe handling of chemicals including those with a pH value below 2 and above 12. At the same time, the high-end system solution is absolutely reliable thanks to advanced IR welding technologies.

+ Long system lifetime

Aggressive media often considerably affect the service life of piping systems. Due to its extremely high resistance, ECTFE reduces maintenance costs and eliminates process interruptions.

+ 200 % higher pressure range

Due to its excellent mechanical properties, ECTFE allows a 200% higher pressure range than PFA. This provides users with more efficient processes and higher safety standards.

+ 20 % more efficient pipe volume

Thanks to its high mechanical stability, the wall thickness of the ECTFE has optimal SDR and is 20% more efficient compared to PFA. Thereby the system enables higher flow rates with equal or less space requirements.

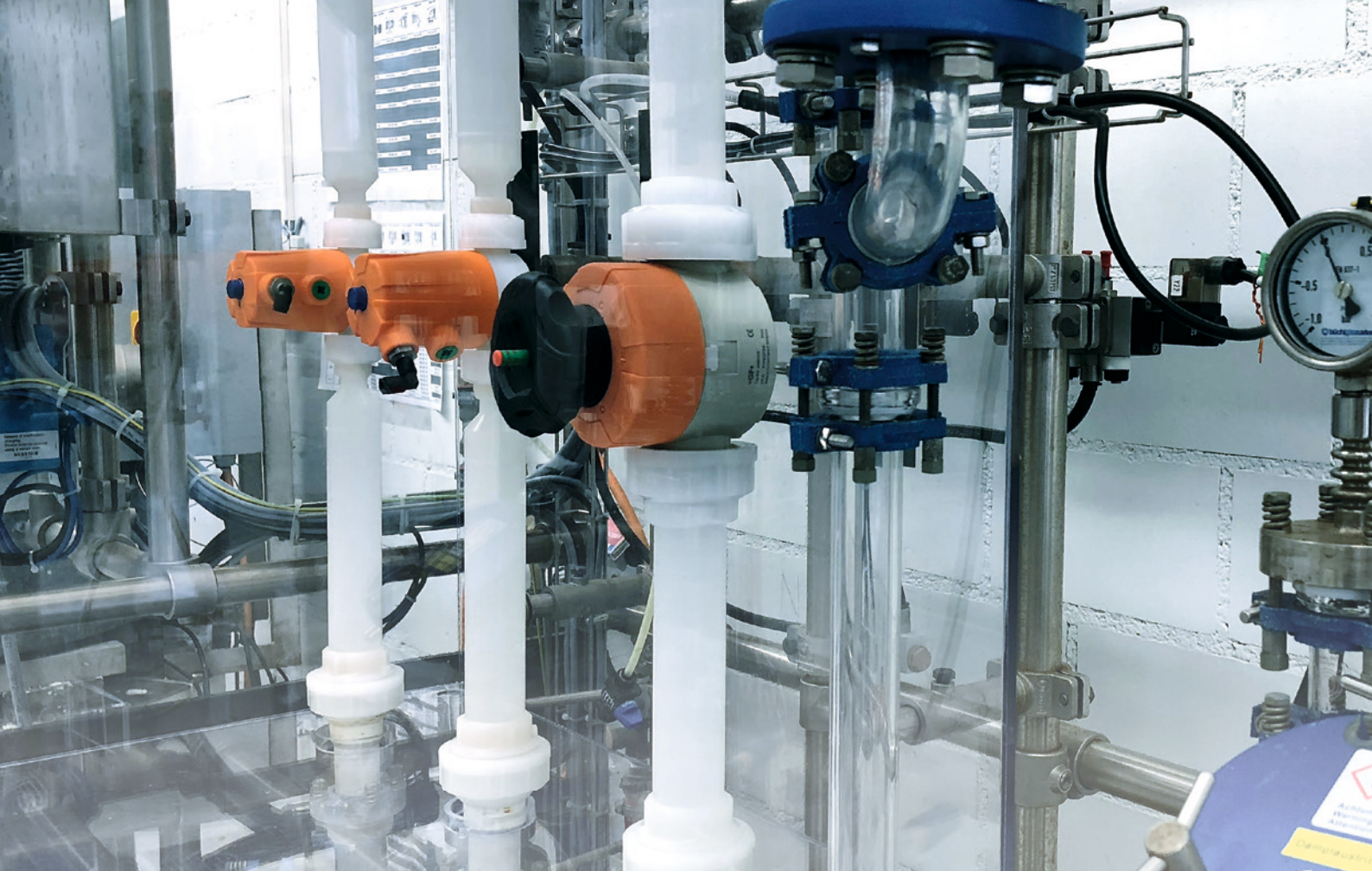
+ Low initial costs

Compared to the widely used PFA solutions, ECTFE is also characterized by significant cost savings and optimum permeation characteristics. The initial costs are 50% lower than those of IR-welded PFA piping systems.

+ 85 % faster assembly

The ECTFE components are securely connected in a few minutes using most advanced IR-welding technology. Compared to pipes made of lined steel, installation time is significantly reduced.





Best quality warranted by accredited test laboratory

Safe and reliable

From the characteristics of the raw material to the quality control of the finished part: GF Piping Systems ensures that the warranted properties are met thanks to its unique laboratory expertise.

GF Piping Systems examines the material, jointing technology, and products beyond mandatory standards in detail at its accredited laboratory (OSO/IEC 17025) in Schaffhausen (Switzerland). The guaranteed characteristics of the applied ECTFE raw materials are tested by GF Piping Systems. Despite decades of collaboration with material suppliers, GF Piping Systems strictly adheres to the principle of "trust and verify." SYGEF ECTFE has been and is continuously tested under temperature, also with chemicals, under long-term conditions. So you can be assured that information from our

chemical experts is based on decades of experience and various tests. Your medium is tested by GF Piping Systems under application conditions on real components. Additional details are also provided by the microscopic inspection of the parts morphology and the IR-joints. Besides important insights regarding production process and correct fusion parameters, the effect of test and application conditions is also carefully inspected. Has the product been chemically attacked? Extremely experienced staff members examine the samples and products not only visually but also using infrared microscopy.



Characteristics of SYGEF ECTFE

Overview of SYGEF ECTFE products and system characteristics

System range

Products	d	20	25	32	40	50	63	75	90	110
	DN	15	20	25	32	40	50	65	80	100
Pipes										
Fittings										
Unions										
Flange rings										
Gaskets										
Valves ²										
Automation										
Pipe clips										
IR welding machines										

² on request

System properties

SYGEF ECTFE

Material	ECTFE Halar
Color	opaque
Density	~1.68 g / cm ³
Thermal expansion coefficient	0.08–0.135 mm / mK (DIN 53752 / ASTM D696)
Thermal conductivity at 23°C	0.15 W / mK (ASTM C177)
Tensile stress at 23°C	≥ 30 N / mm ² (EN ISO 527-1)
E-module at 23°C	≥ 1 600 N / mm ² (EN ISO 527-1)
Charpy notched impact strength at 23°C	no breaking (EN ISO 179 / 1eA)
Dimensions	d20–d110 acc. to ISO 10931
Temperature range raw material	–76 °C to 140 °C
Temperature range applied on chemicals	0 °C to +80 °C
Surface properties	Inner surface Ra < 0.5 µm (20 µin) for injection moulded and extruded components
Internal stress	Pipes: ≤ 2.5 N / mm ² ; stress relieved by thermal annealing during manufacturing
Packaging	Pipes are capped and individually packed in foil like the fittings
Marking and labeling	During production, all components are embossed with a permanent identification to ensure full traceability: - Brand name - Material - Dimensions - Pressure rating - Lot number - Product description - Article number - Standards Colored labels for differentiation between SYGEF ECTFE and SYGEF Standard PVDF

Chemical resistance

Chemical resistance at 20 °C			Thermoplastics				Steel		
Detailed evaluation is depending on concentration. Contact ChemRes			semi-crystalline		amorphous		SS	SS	Hastelloy C 276
Media group	Medium	Concentration	ECTFE	PVDF	PVC-U	PVC-C	1.4301 / 304	1.4401 / 316	
Acids	Inorganic oxidizing acids								
	Nitric acid	> 50 %	+	+	0	0	+	+	+
	Chromic acid	> 30 %	+	+	0	0	+	+	+
	Sulfuric acid	≥ 96 - 98 %	+	0	+	-	0	0	+
	Inorganic non-oxidizing acids								
	Hydrochloric acid	</= 37 %	+	+	+	+	-	-	0
	Hydrofluoric acid	> 40 %	+	+	-	-	-	-	0
	Organic acids								
Formic acid	> 85 %	+	+	0	-	0	+	+	
Acetic acid	> 85 %	+	+	0	-	0	+	+	
Bases	Inorganic (caustic soda lye)	</= 50 %	+	-	+	0	+	+	+
Halogens	Chlorine, bromine, iodine, (no fluorine)		0	0	0	0	-	-	0
Fuels / oils	Aliphatic hydrocarbons		+	+	0	0	+	+	+
	Aromatic hydrocarbons		+	+	-	-	+	+	+
Oxidizing agent	Hypochlorite, hydrogen peroxide, ...		+	-	+	0	0	0	+

+ resistant
 0 conditionally resistant, please consult gss@georgfischer.com
 - not resistant

Please note: The above list is only intended as a guideline and does not replace an in-depth review of material suitability for the particular application. The information is based on our experience and is state of the art. This data consists only of general indicators. In practice, however, other factors such as concentration, pressure and jointing technology must also be taken into consideration. The technical data is not binding and does not constitute expressly warranted characteristics of the goods. Please contact gss@georgfischer.com for help with selecting the right materials.

Online tool Chemical resistance

Our teams of experts have decades of experience in the chemical resistance of materials. The online tool ChemRes PLUS provides you with the most important basic information.

The ChemRes PLUS Online Tool from GF Piping Systems summarizes a large amount of data about materials and media and presents it visually. Choose among all materials and solvent components of the GF Piping Systems product portfolio and compare them to get a comprehensive overview.

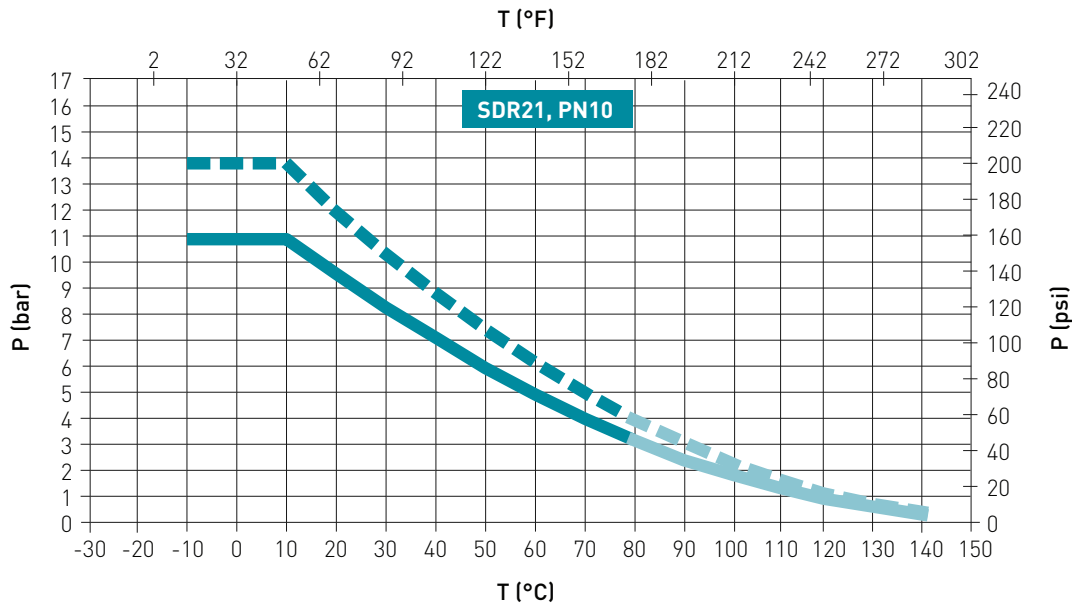


- Select the medium you want to transport
- Select the pressure/temperature point corresponding to your requirements
- ChemRes PLUS shows you the suitable materials in a clearly arranged table

More information

www.gfps.com

Pressure-temperature diagram



P Permissible pressure in bar, psi

T Temperature in °C (Celsius), °F (Fahrenheit)

--- C = 1.6
— C = 2.0

GFPS recommends the use of C=2.0 to include the reduction factor of 0.8 for weld joints.

The pressure/ temperature curve based on medium water, operating temperature of 20°C, valid life time of 25 years and the design factor of C = 2.0 or C = 1.6 respectively

More information regarding technical specifications can be found online in our planning fundamentals: www.gfps.com
For special requests and additional planning support please contact: gss@georgfischer.com

System components



Pipes



Fittings



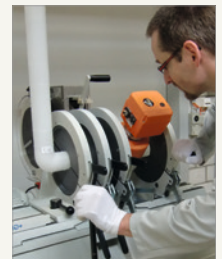
Valves



Automation



Jointing technology



Customizing and training

Application

Storage of acid

The transport of aggressive media in particular, such as highly concentrated sulfuric acid, requires an exceptionally reliable piping system to ensure safe handling at all times. The ECTFE assortment is used to fill the tank and subsequently transport such medias. In this case, one of the tanks contains 98 % sulfuric acid, a very corrosive liquid.



Special features



Highest safety requirements

Safety is the top priority when handling aggressive media. For this reason, the highest safety requirements must be met at every work step or production process.



Double protection

For safety reasons, two valves are always used redundantly for applications such as these. This ensures that filling is interrupted even if one of the valves does not close.



Pneumatic actuators

Electric actuators should be avoided when handling combustible or explosive media. The use of pneumatic actuators adds a maintenance-free and efficient unit to the process.



Low stress installation

- Lowest stress production
- Stress relieved pipes (annealed)
- Joining technology (IR)
- Design & installation

Your benefits

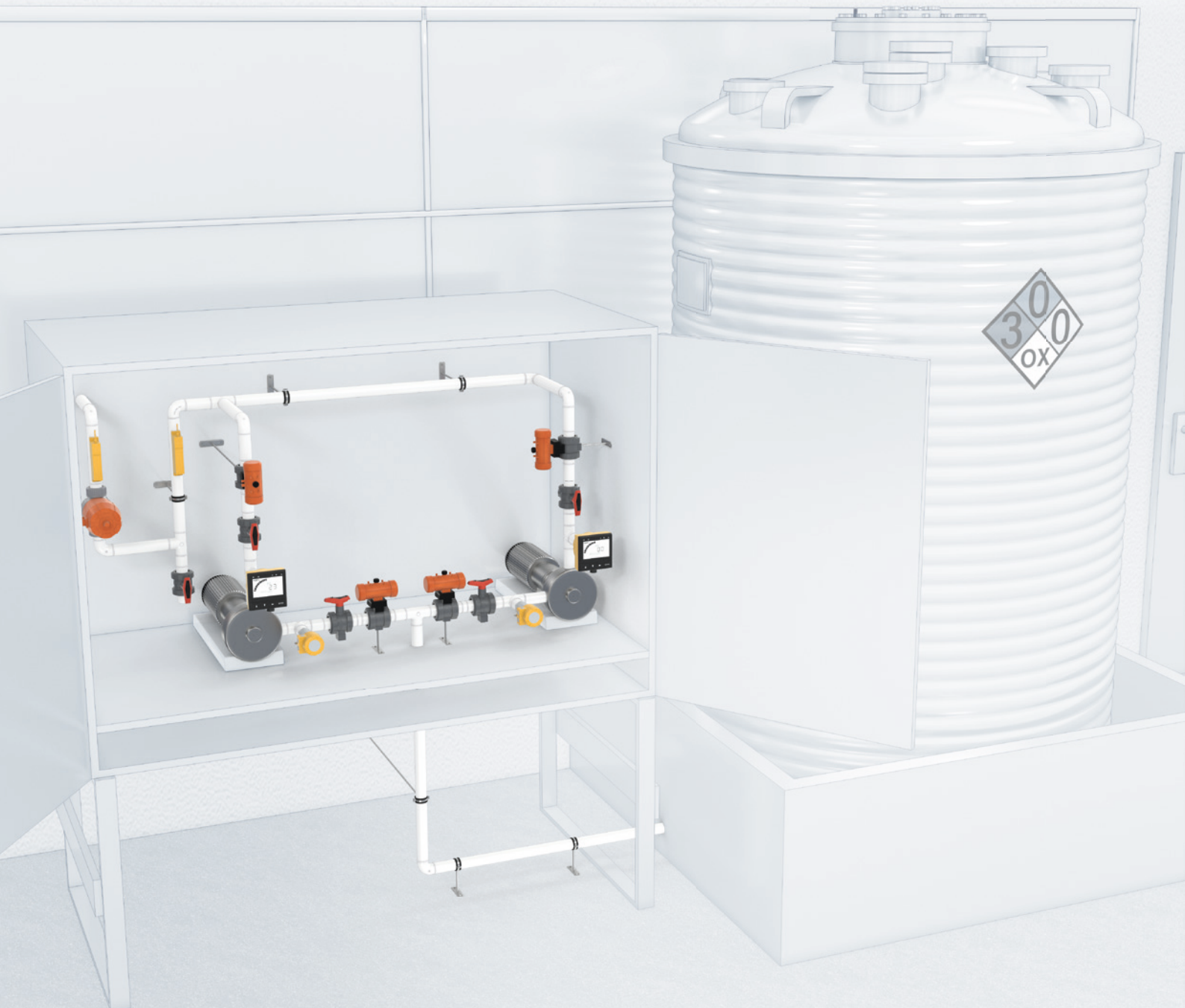
- Extreme corrosion resistance and reliability when handling aggressive chemicals
- Great permeation and temperature resistance
- Low initial and maintenance costs
- Long system service life



Application

Dosing sodium hypochlorite

The ECTFE range can also be used effectively for drinking water treatment. In the application example, SYGEF ECTFE is used for a dosing system in water treatment. A sodium hypochlorite solution is dosed into water for disinfection and preparation for drinking water use.

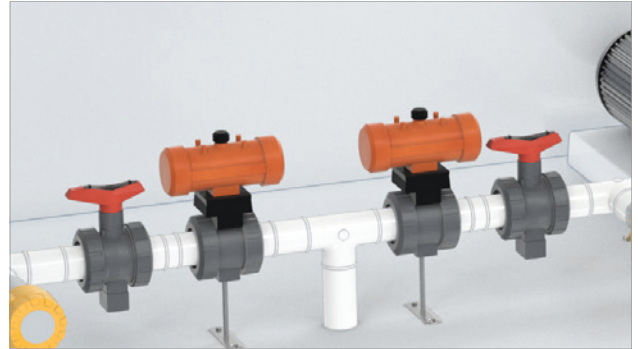


Special features



Highest safety requirements

Safety is the top priority when handling aggressive media. For this reason, the highest safety requirements must be met at every work step or production process.



Double protection

For safety reasons, two valves are always used redundantly for applications such as these. This ensures that filling is interrupted even if one of the valves does not close.



Ultrasonic Flow Meter

The U1000 V2 is based on non-contact ultrasonic measurement and can be installed without service interruption. It provides precise results, cost-effective operation and supports digital interfaces.



Offering planning assistance

The experts from GF Piping Systems will provide you with detailed information on materials, chemical resistance, dimensions, jointing technology, installation techniques, approvals and standards.

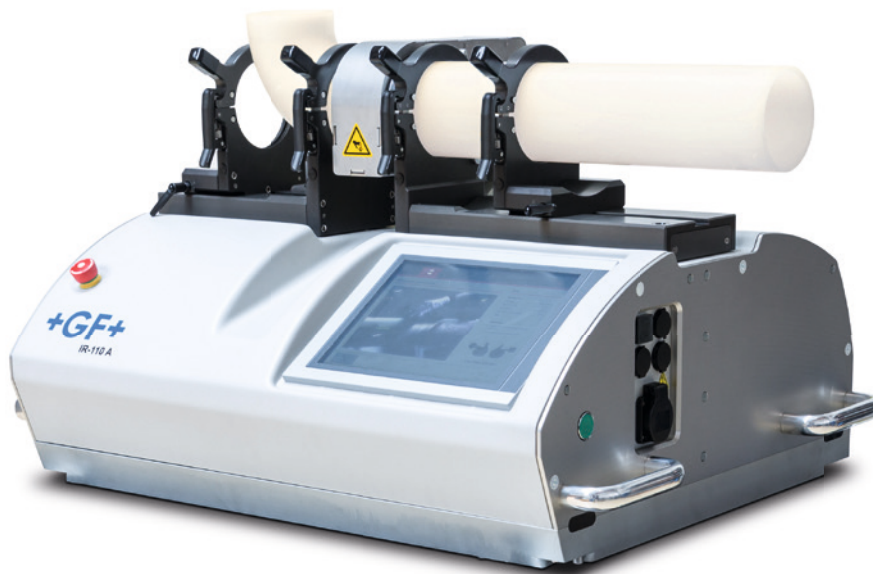
Your benefits

- Extreme corrosion resistance and reliability when handling aggressive chemicals
- Great permeation and temperature resistance
- Low initial and maintenance costs
- Long system service life



Fast and easy installation thanks to infrared

In the area of pressure piping systems for industrial applications there are high requirements for mechanical stability, reproducibility and quality of the jointing technology. The IR-110 A is the new generation of infrared welding machines from GF Piping Systems. With its automation, intuitive handling and system safety, it ensures the highest efficiency for all users.



User-friendly and easy to operate: The IR-110 A

Advantages of welding with the IR-110 A

Compared to conventional butt welding, the infrared technology is distinguished by short fusion times, high reproducibility and highest reliability. The contact-free jointing of the components by IR-welding reduces the warm-up time by more than 30%, eliminating the adaptation, which often results in various weld bead formations. Sticking of the pipe

surface to the heating element is not possible. The IR-110 A from GF Piping Systems impresses with a fully automated welding process that reduces application errors and directly detects and reports faults. An integrated process and quality control system makes the welding process traceable and reportable at all times and ensures the best product quality.



Macro-image of IR (infrared) welding



Lateral cut of IR (infrared) welding

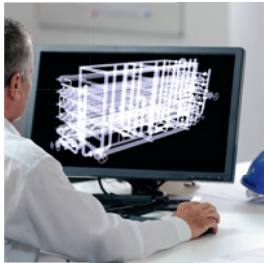
Services of GF Piping Systems

Optimal planning, installation and operation

The specialists at GF Piping Systems support you throughout all phases of your project. They help you to optimally plan, install and operate your plastic piping system. Therefore, they reduce unnecessary time and material losses for you and keep downtimes and other risks as short as necessary.

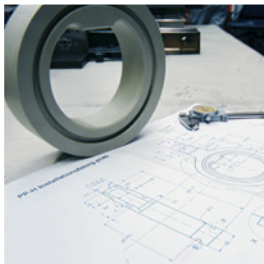


Recommended services



Engineering

We check the design of your piping system, support you with the choice of materials and components as well as with the correct installation. Our 60 years of experience with plastic systems help you to reduce your own risks.



Customizing

Customized special parts and solutions for special tasks are available in all required dimensions. Even unusual applications in challenging installation scenarios can be implemented easily, safely and on time.



Digital Product Libraries

The digital product libraries by GF Piping Systems allow planning with real-life dimensions and automatically generated parts lists, facilitating digital cooperation. They help reduce planning errors and shorten your project times.

Next steps

In this brochure you have received the most important information and technical details. But nothing replaces a personal conversation with an expert from GF Piping Systems. It is all about your needs and how we can support you in your daily business challenges. If you have not already done so, make an appointment today.

On the GF Piping Systems website you will find specialized contact persons in your area. There you will also find further information on the product, including technical data sheets and operating instructions as well as relevant certificates and approvals.

- Appointment with an expert from GF Piping Systems
- Advice on the benefits of the solution for you
- Information on reference applications
- Help with selection and calculations
- Support in all project phases

More information

www.gfps.com



SYGEF ECTFE

Product range

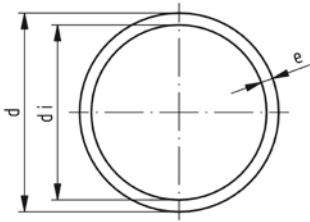




SYGEF ECTFE pipe SDR21/PN10

Model:

- Material: ECTFE
- Length: Lengths of 5 m

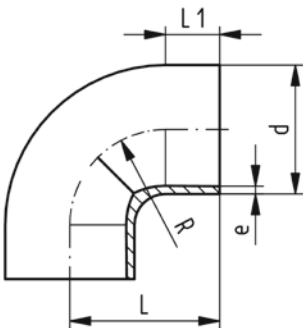


d (mm)	PN (bar)	FM	Code	Weight (kg)	e (mm)	di (mm)
20	10	IR	177 480 106	0.182	1.9	16.2
25	10	IR	177 480 107	0.232	1.9	21.2
32	10	IR	177 480 108	0.375	2.4	27.2
40	10	IR	177 480 109	0.476	2.4	35.2
50	10	IR	177 480 110	0.744	3.0	44.0
63	10	IR	177 480 111	0.950	3.0	57.0
75	10	IR	177 480 112	1.357	3.6	67.8
90	10	IR	177 480 113	1.945	4.3	81.4
110	10	IR	177 480 114	2.929	5.3	99.4

SYGEF ECTFE bend 90° SDR21/PN10

Model:

- Material: ECTFE

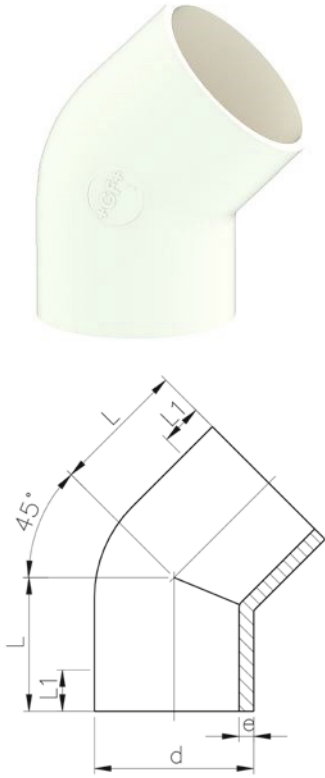


d (mm)	PN (bar)	FM	Code	Weight (kg)	e (mm)	L (mm)	L1 (mm)	R (mm)
20	10	IR	737 018 106	0.016	1.9	38	23	15
25	10	IR	737 018 107	0.022	1.9	42	23	19
32	10	IR	737 018 108	0.038	2.4	46	22	24
40	10	IR	737 018 109	0.055	2.4	51	21	30
50	10	IR	737 018 110	0.095	3.0	58	21	37
63	10	IR	737 018 111	0.137	3.0	66	21	45
75	10	IR	737 018 112	0.243	3.6	75	23	62
90	10	IR	737 018 113	0.423	4.3	90	23	77
110	10	IR	737 018 114	0.705	5.3	110	23	98

SYGEF ECTFE elbow 45° SDR21/PN10

Model:

- Material: ECTFE

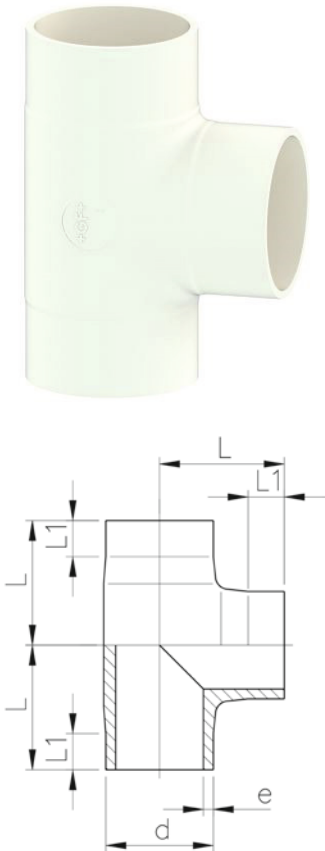


d (mm)	PN (bar)	FM	Code	Weight (kg)	e (mm)	L (mm)	L1 (mm)
20	10	IR	737 158 106	0.014	1.9	32	25
25	10	IR	737 158 107	0.019	1.9	34	26
32	10	IR	737 158 108	0.033	2.4	36	26
40	10	IR	737 158 109	0.042	2.4	39	28
50	10	IR	737 158 110	0.084	3.0	42	30
63	10	IR	737 158 111	0.121	3.0	47	31
75	10	IR	737 158 112	0.160	3.6	49	32
90	10	IR	737 158 113	0.271	4.3	57	37
110	10	IR	737 158 114	0.499	5.3	70	46

SYGEF ECTFE tee 90° equal SDR21/PN10

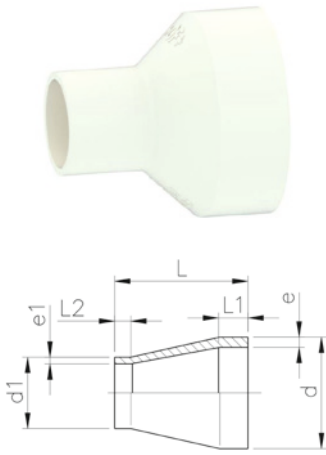
Model:

- Material: ECTFE



d (mm)	PN (bar)	FM	Code	Weight (kg)	e (mm)	L (mm)	L1 (mm)
20	10	IR	737 208 106	0.023	1.9	38	25
25	10	IR	737 208 107	0.032	1.9	42	27
32	10	IR	737 208 108	0.056	2.4	46	27
40	10	IR	737 208 109	0.083	2.4	51	28
50	10	IR	737 208 110	0.156	3.0	58	28
63	10	IR	737 208 111	0.270	3.0	66	28
75	10	IR	737 208 112	0.336	3.6	75	32
90	10	IR	737 208 113	0.587	4.3	90	39
110	10	IR	737 208 114	1.054	5.3	110	48

SYGEF ECTFE reducer SDR21/PN10

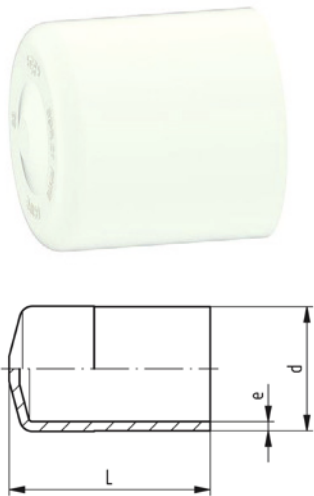


Model:

- Material: ECTFE

d - d1 (mm)	PN (bar)	FM	Code	Weight (kg)	e (mm)	e1 (mm)	L (mm)	L1 (mm)	L2 (mm)
25 - 20	10	IR	737 908 107	0.012	1.9	1.9	50	22	22
32 - 20	10	IR	737 908 108	0.017	2.4	1.9	50	22	22
32 - 25	10	IR	737 908 118	0.018	2.4	1.9	50	22	22
40 - 20	10	IR	737 908 109	0.024	2.4	1.9	58	22	24
40 - 25	10	IR	737 908 119	0.025	2.4	1.9	55	22	24
40 - 32	10	IR	737 908 129	0.029	2.4	2.4	55	22	24
50 - 25	10	IR	737 908 110	0.046	3.0	1.9	60	22	25
50 - 32	10	IR	737 908 120	0.050	3.0	2.4	60	22	25
50 - 40	10	IR	737 908 130	0.040	3.0	2.4	60	22	25
63 - 32	10	IR	737 908 111	0.066	3.0	2.4	65	22	25
63 - 40	10	IR	737 908 121	0.078	3.0	2.4	65	22	25
63 - 50	10	IR	737 908 131	0.076	3.0	3.0	65	22	25
75 - 40	10	IR	737 908 112	0.097	3.6	2.4	68	24	25
75 - 50	10	IR	737 908 122	0.100	3.6	3.0	65	24	25
75 - 63	10	IR	737 908 132	0.080	3.6	3.0	65	24	25
90 - 63	10	IR	737 908 113	0.150	4.3	3.0	75	25	30
90 - 75	10	IR	737 908 123	0.150	4.3	3.6	75	25	35
110 - 63	10	IR	737 908 114	0.257	5.3	3.0	90	30	30
110 - 75	10	IR	737 908 124	0.213	5.3	3.6	90	30	35
110 - 90	10	IR	737 908 134	0.282	5.3	4.3	90	30	35

SYGEF ECTFE end cap SDR21/PN10

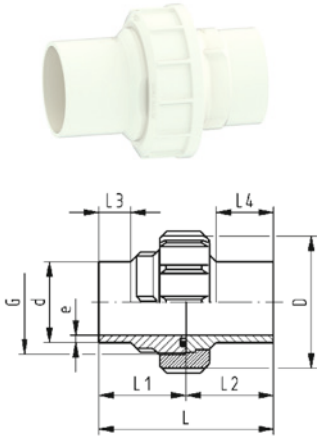


Model:

- Material: ECTFE

d (mm)	PN (bar)	FM	Code	Weight (kg)	e (mm)	L (mm)
20	10	IR	737 968 106	0.009	1.9	47
25	10	IR	737 968 107	0.012	1.9	47
32	10	IR	737 968 108	0.022	2.4	52
40	10	IR	737 968 109	0.034	2.4	55
50	10	IR	737 968 110	0.060	3.0	59
63	10	IR	737 968 111	0.091	3.0	66
75	10	IR	737 968 112	0.135	3.6	67
90	10	IR	737 968 113	0.221	4.3	74
110	10	IR	737 968 114	0.379	5.3	82

SYGEF ECTFE union SDR21/PN10

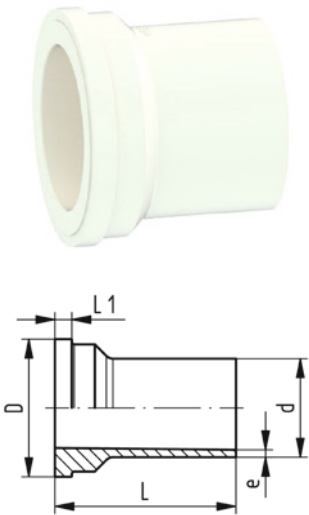


Model:

- Material: ECTFE
- O-Ring: FKM black; FFKM on request

d (mm)	PN (bar)	FM	Code	Weight (kg)	e (mm)	D (mm)	L (mm)	L1 (mm)	L2 (mm)	L3 (mm)	L4 (mm)	G (inch)
20	10	IR	737 528 206	0.082	1.9	43	106	53	53	24	37	1
25	10	IR	737 528 207	0.123	1.9	53	112	56	56	24	38	1 ¼
32	10	IR	737 528 208	0.166	2.4	60	118	59	59	24	40	1 ½
40	10	IR	737 528 209	0.263	2.4	74	124	62	62	24	41	2
50	10	IR	737 528 210	0.372	3.0	82	130	65	65	24	43	2 ¼
63	10	IR	737 528 211	0.463	3.0	100	136	68	68	24	44	2 ¾

SYGEF ECTFE union end SDR21/PN10

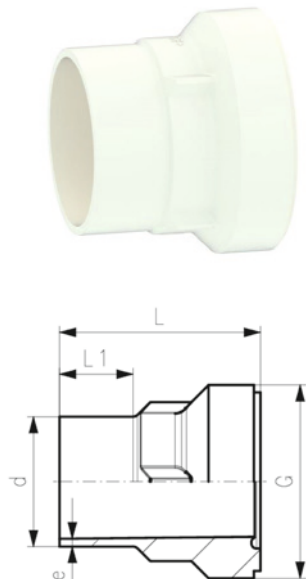


Model:

- Material: ECTFE
- suitable for SYGEF ECTFE union

d (mm)	PN (bar)	FM	Code	Weight (kg)	e (mm)	L (mm)	L1 (mm)	D (mm)
20	10	IR	737 608 106	0.020	1.9	53	5	30
25	10	IR	737 608 107	0.030	1.9	56	5	39
32	10	IR	737 608 108	0.044	2.4	59	6	45
40	10	IR	737 608 109	0.069	2.4	62	6	57
50	10	IR	737 608 110	0.083	3.0	65	7	63
63	10	IR	737 608 111	0.130	3.0	68	8	78

SYGEF ECTFE union bush Type I SDR21/PN10

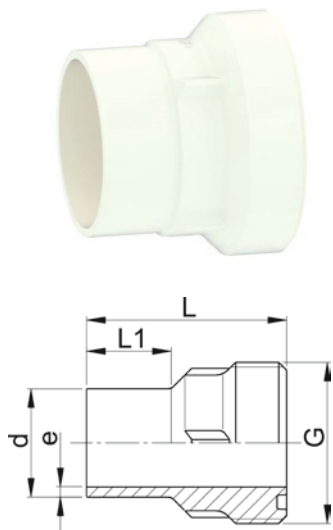


Model:

- Material: ECTFE
- gap filling O-ring positioning
- suitable for SYGEF ECTFE union

d (mm)	PN (bar)	FM	Code	Weight (kg)	e (mm)	L (mm)	L1 (mm)	G (inch)
20	10	IR	737 648 106	0.024	1.9	53	25	1
25	10	IR	737 648 107	0.038	1.9	56	25	1 ¼
32	10	IR	737 648 108	0.056	2.4	59	25	1 ½
40	10	IR	737 648 109	0.082	2.4	62	25	2
50	10	IR	737 648 110	0.113	3.0	65	25	2 ¼
63	10	IR	737 648 111	0.168	3.0	68	25	2 ¾

SYGEF ECTFE union bush Type II SDR21/PN10

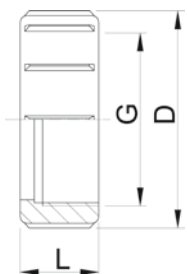


Model:

- Material: ECTFE
- Suitable for SYGEF ECTFE Union

d (mm)	PN (bar)	FM	Code	Weight (kg)	e (mm)	L (mm)	L1 (mm)	G (inch)
20	10	IR	737 648 206	0.025	1.9	53	25	1
25	10	IR	737 648 207	0.039	1.9	56	25	1 ¼
32	10	IR	737 648 208	0.055	2.4	59	25	1 ½
40	10	IR	737 648 209	0.081	2.4	62	25	2
50	10	IR	737 648 210	0.110	3.0	65	25	2 ¼
63	10	IR	737 648 211	0.158	3.0	68	25	2 ¾

SYGEF ECTFE union nut SDR21/PN10



Model:

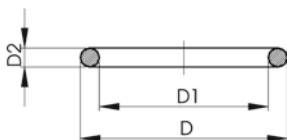
- Material: ECTFE

d (mm)	PN (bar)	Code	Weight (kg)	L (mm)	D (mm)	G (inch)
20	10	737 690 106	0.023	22	43	1
25	10	737 690 107	0.034	24	53	1 ¼
32	10	737 690 108	0.045	26	60	1 ½
40	10	737 690 109	0.070	29	74	2
50	10	737 690 110	0.100	33	82	2 ¼
63	10	737 690 111	0.151	35	100	2 ¾

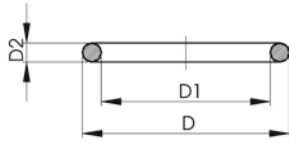
O-ring white

Model:

- For unions with gap filling O-ring position
- Hardness approx. 65° Shore
- FKM white min. temperature -15°C



d (mm)	FKM Code	Weight (kg)	D (mm)	D1 (mm)	D2 (mm)
20	749 411 005	0.002	20.6	15.5	2.62
25	749 411 006	0.002	27.3	20.2	3.53
32	749 411 120	0.002	33.6	26.6	3.53
40	749 411 062	0.002	41.6	34.5	3.53
50	749 411 172	0.003	51.1	44.0	3.53
63	749 411 054	0.003	63.0	55.0	4.00
75	749 411 013	0.010	79.9	69.2	5.33
90	749 411 014	0.012	92.6	81.9	5.33
110	749 411 015	0.015	117.0	101.0	5.33



O-Ring gasket

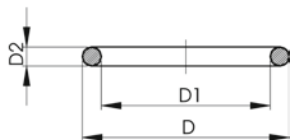
Model:

- For unions and adaptor unions
- Hardness approx. 65° Shore
- EPDM minimum temperature -40°C
- FKM minimum temperature -15°C

* For unions PVC-U, PVC-C and ABS: 21 51 01, 21 51 11, 21 53 03, 21 53 08, 21 55 04, 21 55 13, 21 55 18, 23 51 01 and 29 51 01 only

d (mm)	DN (mm)	EPDM Code	Weight (kg)	FKM Code	Weight (kg)
10 - 12	8	748 410 004	0.002	749 410 004	0.002
16	10	748 410 005	0.004	749 410 005	0.002
20	15	748 410 006	0.002	749 410 006	0.002
25	20	748 410 007	0.002	749 410 007	0.002
32	25	748 410 008	0.003	749 410 008	0.002
40	32	748 410 009	0.003	749 410 009	0.007
50	40	748 410 010	0.004	749 410 010	0.006
63	50	748 410 011	0.005	749 410 011	0.003
75	65	748 410 014	0.007	749 410 014	0.012
90	80	748 410 015	0.008	749 410 015	0.015
*	90	748 410 248	0.008	749 410 248	0.020
110	100	748 410 016	0.016	749 410 016	0.031

d (mm)	DN (mm)	D (mm)	D1 (mm)	D2 (mm)	closest inch (inch)
10 - 12	8	17.62	12.37	2.62	¼
16	10	20.78	15.54	2.62	¾
20	15	27.28	20.22	3.53	½
25	20	35.23	28.17	3.53	¾
32	25	39.99	32.93	3.53	1
40	32	51.33	40.65	5.34	1 ¼
50	40	57.68	46.99	5.34	1 ½
63	50	70.37	59.69	5.34	2
75	65	92.60	81.92	5.34	2 ½
90	80	111.68	101.00	5.34	3
*	90	105.30	94.62	5.34	3
110	100	134.00	120.20	6.99	4



O-Ring Gaskets

Model:

- For unions and adaptor unions
- Hardness approx. 75° shore
- FFKM minimum temperature -20°C

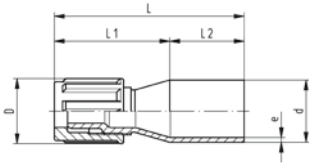
d (mm)	DN (mm)	FFPM Code	SP	Weight (kg)	D1 (mm)	D2 (mm)	D (mm)
20	15	700 245 481	1	0.002	20	3.53	27
25	20	700 245 482	1	0.002	28	3.53	35
32	25	700 245 483	1	0.002	33	3.53	40
40	32	700 245 484	1	0.006	41	5.33	51
50	40	700 245 485	1	0.007	47	5.33	58
63	50	700 245 486	1	0.010	60	5.33	70



SYGEF ECTFE flare transition fitting SDR21/PN10

Model:

- Material: ECTFE

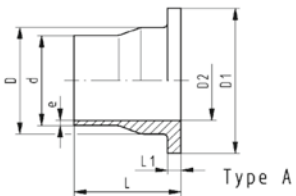


d	tube size	PN	FM	Code	Weight	e	L	L1	L2	D
(mm)	(inch)	(bar)			(kg)	(mm)	(mm)	(mm)	(mm)	(mm)
20	¾	10	IR	737 598 106	0.028	1.9	75	45	30	20
20	¾	10	IR	737 598 116	0.022	1.9	76	46	30	23
20	½	10	IR	737 598 126	0.034	1.9	76	46	30	26
20	¾	10	IR	737 598 136	0.043	1.9	78	48	30	34
25	¼	10	IR	737 598 107	0.033	1.9	75	45	30	20
25	¾	10	IR	737 598 117	0.025	1.9	76	46	30	23
25	½	10	IR	737 598 127	0.028	1.9	76	46	30	26
25	¾	10	IR	737 598 137	0.048	1.9	78	48	30	34
25	1	10	IR	737 598 147	0.102	1.9	87	57	30	46
32	½	10	IR	737 598 128	0.036	2.4	76	46	30	26
32	¾	10	IR	737 598 138	0.050	2.4	78	48	30	34
32	1	10	IR	737 598 148	0.050	2.4	87	57	30	46

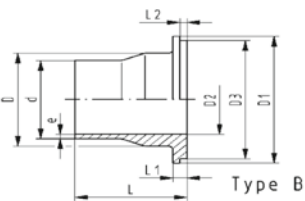
SYGEF ECTFE flange adaptor ISO serrated SDR21/PN10

Model:

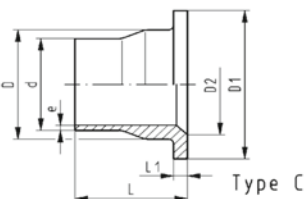
- Material: ECTFE



d	DN	PN	FM	Code	Weight
(mm)	(mm)	(bar)			(kg)
20	15	10	IR	737 798 106	0.029
25	20	10	IR	737 798 107	0.044
32	25	10	IR	737 798 108	0.066
40	32	10	IR	737 798 109	0.088
50	40	10	IR	737 798 110	0.146
63	50	10	IR	737 798 111	0.215
75	65	10	IR	737 798 112	0.325
90	80	10	IR	737 798 113	0.397
110	100	10	IR	737 798 114	0.573



e	D	D1	D2	D3	L	L1	L2	Type
(mm)	(mm)	(mm)	(mm)	(mm)	(mm)	(mm)	(mm)	
1.9	26	45	15		54	6	53	A
1.9	32	58	20	54	56	7	4	B
2.4	40	68	26	63	58	7	4	B
2.4	49	78	34	73	68	8	4	B
3.0	60	88	43	82	69	8	4	B
3.0	75	102	56		72	9		A
3.6	89	122	66		80	10		A
4.3	105	138	78	133	81	12	4	B
5.3	125	158	100		81	13		C



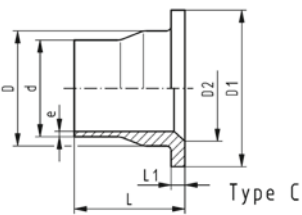
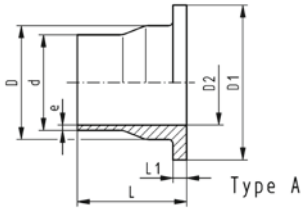
SYGEF ECTFE flange adaptor ANSI serrated SDR21/PN10



Model:

- Material: ECTFE

d (inch)	d (mm)	DN (mm)	PN (bar)	FM	Code	Weight (kg)	e (mm)	D (mm)	D1 (mm)	D2 (mm)	L (mm)	L1 (mm)	Type
½	20	15	10	IR	737 798 106	0.029	1.9	26	45	15	54	6	A
¾	25	20	10	IR	737 798 157	0.043	1.9	32	54	20	56	7	A
1	32	25	10	IR	737 798 158	0.063	2.4	40	63	26	58	7	A
1 ¼	40	32	10	IR	737 798 159	0.089	2.4	49	72	34	68	8	A
1 ½	50	40	10	IR	737 798 160	0.140	3.0	60	82	43	69	8	A
2	63	50	10	IR	737 798 111	0.215	3.0	75	102	56	72	9	A
2 ½	75	65	10	IR	737 798 112	0.325	3.6	89	122	66	80	10	A
3	90	80	10	IR	737 798 163	0.389	4.3	105	138	78	81	12	A
4	110	100	10	IR	737 798 114	0.573	5.3	125	158	100	81	13	C



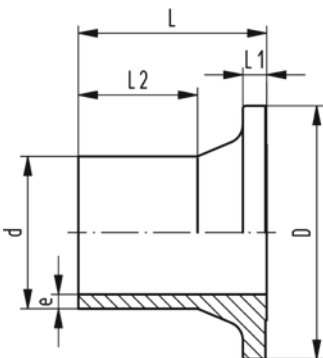
SYGEF ECTFE valve End SDR21/PN10



Model:

- Material: ECTFE
- Suitable for Ball valve 546

d (mm)	DN (mm)	PN (bar)	FM	Code	Weight (kg)	e (mm)	D (mm)	L (mm)	L1 (mm)	L2 (mm)
20	15	10	IR	177 483 048	0.019	1.9	38	52	4	35
25	20	10	IR	177 483 049	0.026	1.9	44	54	5	35
32	25	10	IR	177 483 050	0.043	2.4	53	56	5	35
40	32	10	IR	177 483 051	0.065	2.4	65	67	5	45
50	40	10	IR	177 483 052	0.100	3.0	77	68	6	45
63	50	10	IR	177 483 053	0.150	3.0	99	71	7	45
75	65	10	IR	177 483 054	0.348	3.6	125	65	9	40
90	80	10	IR	177 483 055	0.507	4.3	150	62	10	31
110	100	10	IR	177 483 056	0.820	5.3	180	69	11	37





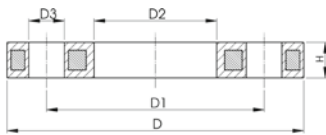
Backing flange PP-Steel metric For butt fusion systems metric

Model:

- Material: PP (30% glass-fibre reinforced) with steel ring
- Connecting dimension: ISO 7005, EN 1092, BS 4504, DIN 2501
- **Bolt circle PN 10**

AL: number of holes

- ¹⁾ Suitable for socket -and butt fusion systems
- ²⁾ Combined version, bolt circle metric - ANSI



	d (mm)	DN (mm)	PN (bar)	Code	Weight (kg)	D (mm)	D1 (mm)	D2 (mm)	D3 (mm)	H max. (mm)	AL	SC
1	20	15	16	727 700 206	0.216	95	65	28	14	12	4	M12
1	25	20	16	727 700 207	0.279	105	75	34	14	12	4	M12
1	32	25	16	727 700 208	0.429	115	85	42	14	16	4	M12
1	40	32	16	727 700 209	0.621	140	100	51	18	16	4	M16
1	50	40	16	727 700 210	0.722	150	110	62	18	20	4	M16
1	63	50	16	727 700 211	0.900	165	125	78	18	20	4	M16
1	75	65	16	727 700 212	1.110	185	145	92	18	20	4	M16
	90	80	16	727 700 313	1.390	200	160	108	18	20	8	M16
	110	100	16	727 700 314	1.407	220	180	128	18	20	8	M16
	125	100	16	727 700 315	1.408	220	180	135	18	20	8	M16
	140	125	16	727 700 716	2.318	250	210	158	18	26	8	M16
2	160	150	16	727 700 717	3.491	285	240	178	22	26	8	M20
	180	150	16	727 700 718	3.108	285	240	188	22	26	8	M20
2	200	200	16	727 700 719	5.600	340	295	235	22	29	8	M20
2	225	200	16	727 700 720	5.533	340	295	238	22	29	8	M20
	250	250	16	727 700 721	6.632	395	350	288	22	32	12	M20
	280	250	16	727 700 722	6.573	395	350	294	22	32	12	M20
	315	300	16	727 700 723	7.903	445	400	338	22	36	12	M20
	355	350	16	727 700 724	14.587	515	460	376	23	42	16	M20
	400	400	16	727 700 725	20.034	574	515	430	26	42	16	M24



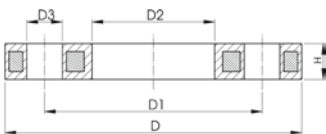
Backing Flange PP-Steel Inch/ANSI For socket systems metric and BS

Model:

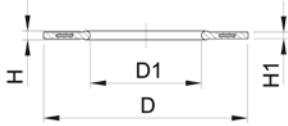
- Material: PP (30% glass-fibre reinforced) with steel ring
- Connecting dimension: ANSI/ASME B 16.5 class 150, ASTM D 4024, BS 1560, BS EN 1759
- **Bolt circle class 150**
- Special flange adapter ANSI for d25 - d50 and d90 required

- ¹⁾ Suitable for socket -and butt fusion systems
- ²⁾ Not for BS
- ³⁾ Combined version, bolt circle metric - ANSI

AL: number of holes



	d (inch)	d (mm)	DN (mm)	PN (bar)	Code	Weight (kg)	D (mm)	D1 (mm)	D2 (mm)	D3 (mm)	H max. (mm)	AL	SC
1	½	20	15	16	727 701 206	0.213	95	60	28	16	12	4	M12
1	¾	25	20	16	727 701 207	0.260	105	70	34	16	12	4	M12
1	1	32	25	16	727 701 208	0.416	115	79	42	16	16	4	M12
1	1 ¼	40	32	16	727 701 209	0.730	140	89	51	16	16	4	M16
1	1 ½	50	40	16	727 701 210	0.809	150	98	62	16	18	4	M16
1	2	63	50	16	727 701 211	0.866	165	121	78	19	18	4	M16
1	2 ½	75	65	16	727 701 212	1.117	185	140	92	19	18	4	M16
	3	90	80	16	727 701 213	1.492	200	152	110	19	20	4	M16
2	4	110	100	16	727 701 214	1.695	229	190	133	19	20	8	M16
2/3	6	160	150	16	727 700 817	3.167	285	241	190	22	26	8	M20
3	8	200	200	16	727 700 819	6.143	340	297	226	22	29	8	M20
3	8	225	200	16	727 700 820	4.448	340	297	250	22	29	8	M20

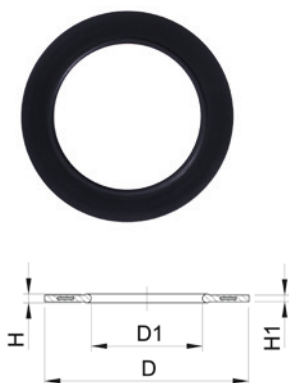


Profile Flange Gaskets ANSI

Model:

- Suitable for flanges adaptors PP/PE PVDF
- Hardness: 70° Shore EPDM, 75° Shore FKM
- Centered by the flange bolts
- Dimension D is in accordance with the inner diameter of the bolt circle

d (mm)	EPDM Code	Weight (kg)	FKM Code	Weight (kg)	Inch (inch)	DN (mm)	D (mm)	D1 (mm)	H (mm)	H1 (mm)
25	748 440 502	0.010	749 440 502	0.011	3/4	20	54	27	4	3
32	748 440 503	0.011	749 440 503	0.023	1	25	64	33	4	3
40	748 440 504	0.017	749 440 504	0.024	1 1/4	32	73	42	4	3
50	748 440 505	0.030	749 440 505	0.030	1 1/2	40	83	48	4	3
63	748 440 506	0.029	749 440 506	0.042	2	50	102	60	5	4
75	748 440 507	0.046	749 440 507	0.068	2 1/2	65	121	73	5	4
90	748 440 508	0.053	749 440 508	0.083	3	80	133	89	5	4
110	748 440 509	0.088	749 440 509	0.139	4	100	171	115	6	5
160 - 180	748 440 512	0.127	749 440 512	0.240	6	150	222	160	8	6
225	748 440 515	0.195	749 440 515	0.316	8	200	279	220	8	6
250	748 440 517	0.243	749 440 517	0.373	10	250	337	273	8	6
315	748 440 518	0.398	749 440 518	0.750	12	300	406	325	8	6
355	748 440 519	0.800	749 440 519	0.800	14	350	448	356	10	7
400	748 440 520	0.900	749 440 520	0.900	16	400	512	406	10	7
450	748 440 521	1.000	749 440 521	1.000	18	450	547	457	10	7
500	748 440 522	1.000	749 440 522	1.000	20	500	604	508	10	7



Profile Flange Gasket, metric EPDM / FKM

Model:

- For all metric GF Flange Adaptors
 - Hardness: 70° Shore EPDM, 75° Shore FKM
 - EPDM: approved acc. to DVGW Water W 270, KTW recommendation
 - Centering on the inner diameter of the screw crown
 - material steel insert: carbon steel
 - Rubber-steel body combined with rubber profile cord ring
- di FA are the suitable inner diameters of flanges adaptors

d (mm)	PN (bar)	DN (mm)	EPDM Code	FKM Code	Weight (kg)	D (mm)	D1 (mm)	di FA (mm)	H (mm)	H1 (mm)
16	16	10	748 440 705	749 440 705	0.012	46	16	6 - 16	4	3
20	16	15	748 440 706	749 440 706	0.013	51	20	10 - 20	4	3
25	16	20	748 440 707	749 440 707	0.014	61	22	12 - 22	4	3
32	16	25	748 440 708	749 440 708	0.019	71	28	18 - 28	4	3
40	16	32	748 440 709	749 440 709	0.026	82	40	30 - 40	4	3
50	16	40	748 440 710	749 440 710	0.039	92	46	36 - 46	4	3
63	16	50	748 440 711	749 440 711	0.050	107	58	48 - 58	5	4
75	16	65	748 440 712	749 440 712	0.082	127	69	59 - 69	5	4
90	16	80	748 440 713	749 440 713	0.083	142	84	73 - 84	5	4
110	16	100	748 440 714	749 440 714	0.127	162	104	94 - 104	6	5
125	16	100	748 440 715	749 440 715	0.105	162	123	113 - 123	6	5
140	16	125	748 440 716	749 440 716	0.173	192	137	127 - 137	6	5
160 - 180	16	150	748 440 717	749 440 717	0.207	218	160	150 - 160	8	6
200	16	200	748 440 719	749 440 719	0.263	273	203	192 - 203	8	6
225	16	200	748 440 720	749 440 720	0.255	273	220	207 - 220	8	6
250	16	250	748 440 721	749 440 721	0.462	328	252	238 - 252	8	6
280	16	250	748 440 722	749 440 722	0.323	328	274	264 - 274	8	6
315	16	300	748 440 723	749 440 723	0.549	378	306	296 - 306	8	6
355	16	350	748 440 724	749 440 724	0.870	438	355	340 - 355	10	7
400	16	400	748 440 725	749 440 725	1.088	489	400	385 - 400	10	7
450	16	500	748 440 726	749 440 726	0.718	594	403	393 - 403	10	7
500	16	500	748 440 727	749 440 727	0.718	594	447	437 - 447	10	7
560	16	600	748 440 728	749 440 728	0.923	695	494	484 - 494	10	7
630	16	600	748 440 729	749 440 729	0.923	695	555	545 - 555	10	7

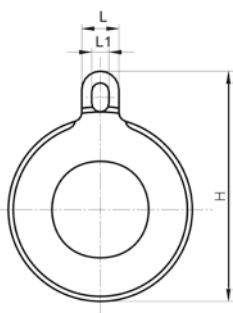


SYGEF Plus Gasket

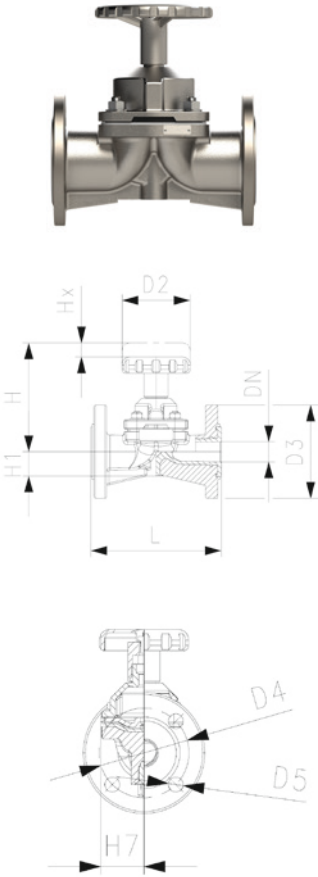
Model:

- For Use with Steel Flange Rings
- * Non-Returnable/Non-Cancelable

d (mm)	Pipe Size (inch)	Code	Weight (lb)	H (inch)	L (inch)	L1 (inch)
25	3/4	731 400 753	0.044	2.99	0.79	0.51
32	1	731 400 755	0.053	3.58	0.98	0.63
40	1 1/4	731 400 757	0.079	3.98	0.98	0.63
50	1 1/2	731 400 759	0.084	4.33	0.98	0.63
63	2	731 400 760	0.132	5.04	0.98	0.63
75	2 1/2	731 400 761	0.179	5.83	0.98	0.63
90	3	731 400 763	0.132	6.34	0.98	0.63
110	4	731 400 764	0.220	7.44	0.98	0.63
160	6	731 400 667	0.309	9.61	1.18	0.79
200/225	8/9	731 400 670	0.441	11.81	1.18	0.79
250	10	731 400 671	0.683	14.17	1.38	0.87
315	12	731 400 672	0.650	16.50	1.38	0.87



Type SDV Diaphragm Valve - with Handwheel - SYGEF ECTFE



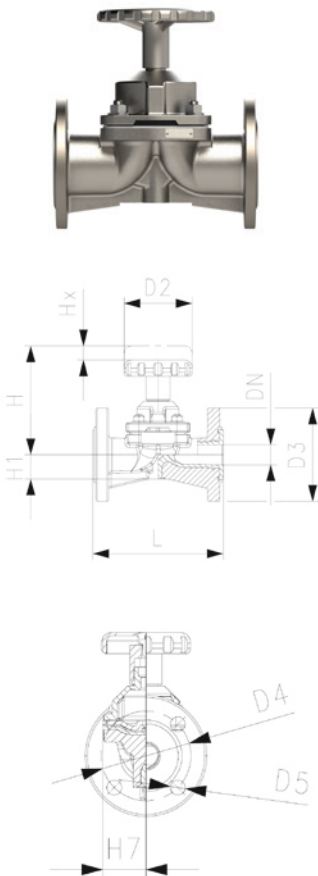
Model:

- ISO/ DIN flange connection
- Material: PFA lined SSt valve body, PTFE-T/FKM diaphragm

d (inch)	d (mm)	DN (mm)	PN (bar)	Code	Weight (kg)
½	20	15	10	160 144 106	2.5
¾	25	20	10	160 144 107	3.0
1	32	25	10	160 144 108	3.8
1 ¼	40	32	10	160 144 109	5.2
1 ½	50	40	10	160 144 110	7.4
2	63	50	10	160 144 111	9.7
2 ½	75	65	10	160 144 112	13.5
3	90	80	8	160 144 113	18.0
4	110	100	7	160 144 114	30.0

L (mm)	D2 (mm)	D3 (mm)	D4 (mm)	D5 (mm)	H (mm)	H1 (mm)	H7 (mm)	Hx (mm)	Rotation (per stroke)	kv-value (m³/h)
130	85	95	65	14	115	24	36	8	4.5	7.8
150	85	105	75	14	117	26	36	8	4.5	10.0
160	85	115	85	14	124	30	41	10	5.5	15.0
180	85	140	100	18	134	35	52	12	7.0	22.5
200	120	150	110	18	173	41	56	24	12.0	37.0
230	120	165	125	18	186	44	70	30	15.0	65.0
290	180	185	145	18	208	55	82	30	12.0	95.0
310	180	200	160	18	233	60	100	34	13.5	134.0
350	250	220	180	18	282	72	123	40	13.5	200.0

Type SDV Diaphragm Valve - with Handwheel - SYGEF ECTFE



Model:

- ANSI flange connection
- Material: PFA lined SSt valve body, PTFE-T/FKM diaphragm

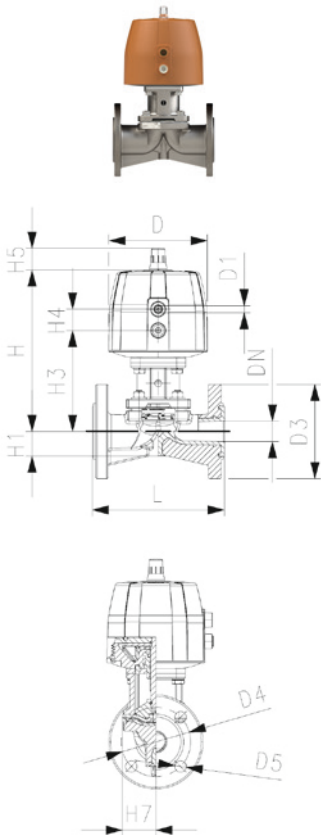
d (inch)	d (mm)	DN (mm)	PN (bar)	Code	Weight (kg)
½	20	15	10	160 144 156	2.5
¾	25	20	10	160 144 157	3.0
1	32	25	10	160 144 158	3.5
1 ¼	40	32	10	160 144 159	5.2
1 ½	50	40	10	160 144 160	6.3
2	63	50	10	160 144 161	9.0
2 ½	75	65	10	160 144 162	13.5
3	90	80	8	160 144 163	16.9
4	110	100	7	160 144 164	30.3

L (mm)	D2 (mm)	D3 (mm)	D4 (mm)	D5 (mm)	H (mm)	H1 (mm)	H7 (mm)	Hx (mm)	Rotation (per stroke)	kv-value (m³/h)
130	85	90	60	16	115	24	36	8	4.5	7.8
150	85	100	70	16	117	26	36	8	4.5	10.0
146	85	110	80	16	124	30	41	10	5.5	15.0
180	85	115	89	16	134	35	52	12	7.0	22.5
174	120	125	98	16	173	41	56	24	12.0	37.0
200	120	150	121	19	186	44	70	30	15.0	65.0
290	180	180	140	19	208	55	82	30	12.0	95.0
260	180	190	152	19	233	60	100	34	13.5	134.0
327	250	230	191	19	282	72	123	40	13.5	200.0

**Type SDV Diaphragm Valve - with pneumatic actuator - SYGEF ECTFE
FC (fail safe to close)**

Model:

- ISO/ DIN flange connection
- Material: PFA lined SSSt valve body, PTFE-T/FKM diaphragm
- With pneumatic actuator



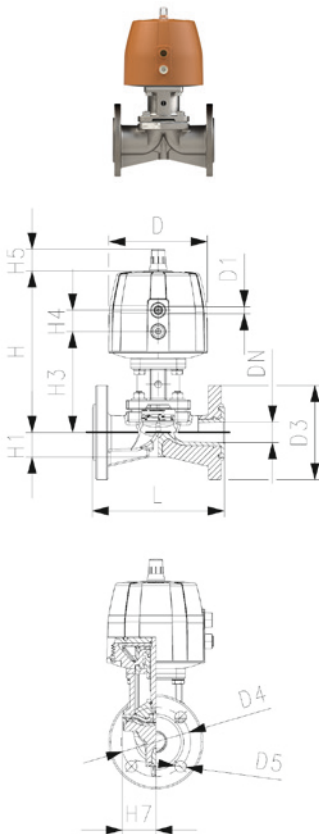
d (inch)	d (mm)	DN (mm)	PN (bar)	Code	Weight (kg)
½	20	15	10	160 144 206	4.8
¾	25	20	10	160 144 207	5.3
1	32	25	10	160 144 208	6.4
1 ¼	40	32	10	160 144 209	7.8
1 ½	50	40	10	160 144 210	13.9
2	63	50	10	160 144 211	16.0
2 ½	75	65	10	160 144 212	19.8
3	90	80	8	160 144 213	32.8
4	110	100	7	160 144 214	46.7

L (mm)	D (mm)	D1 (inch)	D3 (mm)	D4 (mm)	D5 (mm)	H (mm)	H1 (mm)	H3 (mm)	H4 (mm)	H5 (mm)	H7 (mm)	kv-value (m ³ /h)
130	120	¾	95	65	14	211	24	115	26	23	36	7.8
150	120	¾	105	75	14	213	26	117	26	23	36	10.0
160	120	¾	115	85	14	227	30	123	26	23	41	15.0
180	150	¾	140	100	18	253	35	141	36	36	52	22.5
200	180	¾	150	110	18	284	41	154	37	36	56	37.0
230	180	¾	165	125	18	302	44	159	37	36	70	65.0
290	280	¾	185	145	18	366	55	182	24	46	82	95.0
310	280	¾	200	160	18	373	60	200	24	46	100	134.0
350	335	¾	220	180	18	448	72	267	24	46	123	200.0

**Type SDV Diaphragm Valve - with pneumatic actuator - SYGEF ECTFE
FC (fail safe to close)**

Model:

- ANSI flange connection
- Material: PFA lined SSSt valve body, PTFE-T/FKM diaphragm
- With pneumatic actuator



d (inch)	d (mm)	DN (mm)	PN (bar)	Code	Weight (kg)
½	20	15	10	160 144 256	4.8
¾	25	20	10	160 144 257	5.3
1	32	25	10	160 144 258	6.1
1 ¼	40	32	10	160 144 259	7.8
1 ½	50	40	10	160 144 260	12.8
2	63	50	10	160 144 261	15.3
2 ½	75	65	10	160 144 262	19.8
3	90	80	8	160 144 263	31.7
4	110	100	7	160 144 264	47.0

L (mm)	D (mm)	D1 (inch)	D3 (mm)	D4 (mm)	D5 (mm)	H (mm)	H1 (mm)	H3 (mm)	H4 (mm)	H5 (mm)	H7 (mm)	kv-value (m ³ /h)
130	120	¾	90	60	16	211	24	115	26	23	36	7.8
150	120	¾	100	70	16	213	26	117	26	23	36	10.0
146	120	¾	110	80	16	227	30	123	26	23	41	15.0
180	150	¾	115	89	16	253	35	141	36	36	52	22.5
174	180	¾	125	98	16	284	41	154	37	36	56	37.0
200	180	¾	150	121	19	302	44	159	37	36	70	65.0
290	280	¾	180	140	19	366	55	182	24	46	82	95.0
260	280	¾	190	152	19	373	60	200	24	46	100	134.0
327	335	¾	230	191	19	448	72	267	24	46	123	200.0



Spare part membranes For Type SDV

Model:

- SSt/PFA valve with PTFE-T/FKM diaphragm

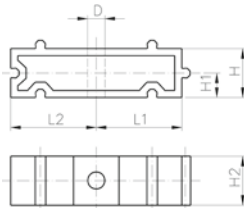
d (mm)	d (inch)	DN (mm)	PTFE/FKM Code
20 - 25	½ - ¾	15 - 20	747 503 506
32	1	25	747 503 508
40	1 ¼	32	747 503 509
50	1 ½	40	747 503 510
63	2	50	747 503 511
75	2 ½	65	747 503 512
90	3	80	747 503 513
110	4	100	747 503 514



KLIP-IT spacer type 061 PP

Model:

- For pipe clips type 061/061H, PP black, UV resistant
- **Minimum order quantity: standard packaging SP**



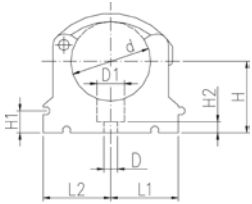
d (mm)	Inch (inch)	Code	SP	Weight (kg)	D (mm)	L1 (mm)	L2 (mm)	H (mm)	H1 (mm)	H2 (mm)	SC
10 - 12	½ - ¾	167 061 153	10	0.003	5	11	14	20	10	12	M4
16	¾	167 061 155	10	0.005	6	14	17	20	10	16	M5
20	½	167 061 156	10	0.005	6	17	19	20	10	16	M5
25	¾	167 061 157	10	0.007	6	19	22	20	10	16	M5
32	1	167 061 158	10	0.006	6	24	27	20	10	16	M5
40	1 ¼	167 061 159	1	0.015	7	34	34	20	10	22	M6
50	1 ½	167 061 160	10	0.017	7	37	37	20	10	22	M6
63	2	167 061 161	10	0.020	9	45	45	20	10	25	M8
75	2 ½	167 061 162	10	0.027	9	52	52	20	10	25	M8
90	3	167 061 163	10	0.039	9	65	65	20	10	28	M8
110	4	167 061 164	10	0.048	9	79	79	20	10	28	M8
125	4 ½	167 061 165	10	0.059	9	88	88	20	10	32	M8
140	5	167 061 166	10	0.065	9	98	98	20	10	32	M8
160	6	167 061 167	10	0.071	9	109	109	20	10	32	M8

KLIP-IT pipe clip type 061 PP metric



Model:

- Material: clip and safety clip PP black, UV resistant
- d16 - d63: height designed for ball valve type 546 and 543
- **Minimum order quantity: standard packagings SP**



	d (mm)	d (inch)	Code	SP	Weight (kg)
*	10		167 061 003	10	0.003
*	12		167 061 004	10	0.003
*	16		167 061 035	10	0.007
*	20		167 061 036	10	0.007
*	25		167 061 037	10	0.009
*	32		167 061 038	10	0.012
	40		167 061 039	10	0.027
	50		167 061 040	10	0.031
	63		167 061 041	10	0.052
	75	2 ½	167 061 012	10	0.057
	90	3	167 061 013	10	0.092
	110	4	167 061 014	10	0.117
	125		167 061 015	10	0.180
	140	5	167 061 016	10	0.224
	160		167 061 017	10	0.242

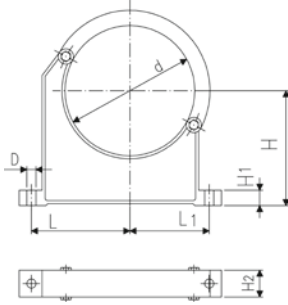
	d (mm)	D (mm)	D1 (mm)	H (mm)	H1 (mm)	H2 (mm)	H3 (mm)	L1 (mm)	L2 (mm)	SC	closest inch (inch)
*	10	5	8	20	10	6	12	11	14	M4	¼
*	12	5	8	21	10	6	12	11	14	M5	¼
*	16	6	11	27	10	6	16	14	17	M5	⅜
*	20	6	11	27	10	6	16	17	19	M5	½
*	25	6	11	30	10	6	16	19	22	M5	¾
*	32	6	11	36	10	6	16	24	27	M5	1
	40	7	14	44	10	7	22	34	34	M6	1 ¼
	50	7	14	51	10	7	22	37	37	M6	1 ½
	63	9	17	64	10	10	25	45	45	M8	2
	75	9	17	58	10	10	25	52	52	M8	2 ½
	90	9	17	65	10	10	28	65	65	M8	3
	110	9	17	75	10	10	28	79	79	M8	4
	125	9	17	90	10	10	32	88	88	M8	
	140	9	17	110	10	10	32	98	98	M8	5
	160	9	17	108	10	10	32	109	109	M8	6



Pipe clip type 060 PP metric

Model:

- Material: clip and safety clip PP black, UV resistant
- **Minimum order quantity: standard packaging SP or gross packaging GP**
- Accidental opening of the safety clip is not possible
- Clip and safety clip are not assembled in the packaging.
- Pipes with flanges can be installed directly



d (mm)	Code	SP	Weight (kg)	D (mm)	L (mm)	L1 (mm)	H (mm)	H1 (mm)	H2 (mm)	SC	closest inch (inch)
90	167 060 038	10	0.144	9	89	71	105	15	33	M 8	3
110	167 060 039	10	0.158	9	94	80	115	15	33	M 8	4
125	167 060 040	10	0.249	11	116	91	130	20	35	M10	
140	167 060 041	10	0.260	11	121	99	130	20	35	M10	5
160	167 060 042	10	0.296	11	131	107	148	20	35	M10	6
180	167 060 043	10	0.327	11	143	115	163	20	35	M10	7
200	167 060 019	5	0.539	13	152	120	175	25	39	M12	8
225	167 060 020	5	0.178	13	164	132	175	25	39	M12	8
250	167 060 021	5	0.657	13	183	143	200	25	39	M12	9
280	167 060 022	5	0.212	13	197	156	200	25	39	M12	10
315	167 060 023	5	0.805	13	219	171	225	25	39	M12	12
355	167 060 024	5	1.251	17	275	209	258	30	50	M16	14
400	167 060 025	4	1.031	17	300	228	288	30	50	M16	16



IR-110 A Automated Fusion Machine

Model:

- Fully equipped automated infrared fusion machine with integrated working table for use under clean room conditions
- Welding of PVDF SYGEF (Standard/Plus), ECTFE SYGEF, PP grey PROGEF (Standard/Plus), PP-n PROGEF Natural, PE100 ecoFIT
- Dimensions d20-110 mm
- User friendly touch-screen interface 12.1" with various languages
- 4 USB interfaces, LAN Ethernet interface, 230 V Output
- Automated facer, clamping slide and heater
- Integrated video camera and temperature sensors
- Movable clamping units
- Clamping inserts d20-90 mm (8 pcs. per dimension)
- End caps PE d20-110 mm (4 pcs. per dimension)
- Shavings collection tray
- Transport box with integrated pallet
- 1-phase AC (50/60 Hz) 230V L/N/PE
- Power supply cable 230V EU Standard
- Torx key for facing blades (KW3)
- Cleaning brush
- Label printer
- Instruction manual

d-d (mm)	Code	SP	Weight (kg)
20 - 110	790 164 001	1	250.000



Clamping inserts

- The clamping inserts are different for each dimension. They are used to clamp and position the pipe components.

d (mm)	Code	SP	Weight (kg)	Pieces
20	790 164 022	0	0.099	1
25	790 164 023	0	0.097	1
32	790 164 024	0	0.093	1
40	790 164 025	0	0.088	1
50	790 164 026	0	0.081	1
63	790 132 156	0	0.085	1
75	790 132 157	0	0.087	1
90	790 132 158	0	0.064	1



Set of facing knives

- A set includes two facing knives and six screws. Each facing knife has four blades. The blade may be turned three times before it must be replaced.

d-d (mm)	Code	SP	Weight (kg)	Pieces
20 - 110	790 132 061	0	0.007	2



IR-63 Plus Fusion Machine

Model:

- Fully-equipped manually operated infrared fusion machine with integrated remote welding unit
- Welding of PVDF SYGEF (Standard/Plus), ECTFE SYGEF, PP-H PROGEF (Standard/Plus), PP-n PROGEF Natural, PE100 ecoFIT, PFA
- Dimensions d20-63 mm
- Monochrome display with icons and various languages
- 2 USB interfaces
- Heating and facing element
- Clamping slide with movable clamping units
- Clamping inserts d20-63 mm (8 pcs. per dimension)
- End caps PE d20-63 mm (4 pcs. per dimension)
- Pipe stop
- Clean-room compatible accessory tray with tools
- Transport box
- 1-phase AC (50/60 Hz) 230V L/N/PE
- Power supply cable 230 V
- Extension cable for clamping slide, heater and facing tool for remote welding (5m each)
- Label printer
- Instruction manual

Note:

Clamping inserts PFA (inch) on request

d-d (mm)	Code	SP	Weight (kg)
20 - 63	790 131 005	1	50.000



Clamping inserts

- The clamping inserts are different for each dimension. They are used to clamp and position the pipe components.

d (mm)	Code	SP	Weight (kg)	Pieces
20	790 131 038	1	0.140	1
25	790 131 039	1	0.090	1
32	790 131 040	1	0.052	1
40	790 131 041	1	0.074	1
50	790 131 042	1	0.100	1
63	790 131 043	1	0.035	1



Set of facing knives

- A set includes two facing knives and six screws. Each facing knife has four blades. The blade may be turned three times before it must be replaced.

d-d (mm)	Code	SP	Weight (kg)	Pieces
20 - 63	790 131 045	1	0.016	2



IR-110 Plus Fusion Machine

Model:

- Fully-equipped manually operated infrared fusion machine for use under clean room conditions
- Welding of PVDF SYGEF (Standard/Plus), ECTFE SYGEF, PP-H PROGEF (Standard/Plus), PP-n PROGEF Natural, PE100 ecoFIT, PFA
- Dimensions d20-110 mm
- Monochrome display with icons and various languages
- 2 USB interfaces
- Heating and facing element
- Clamping slide with movable clamping units
- Clamping inserts d20-90 mm (8 pcs. per dimension)
- End caps PE d20-110 mm (4 pcs. per dimension)
- Pipe stop
- Clean-room compatible accessory tray with tools
- Transport box with integrated pallet
- 1-phase AC (50/60 Hz) 230V L/N/PE
- Power supply cable 230V
- Label printer
- Instruction manual

Note:

Clamping inserts PFA (inch) on request

d-d (mm)	Code	Weight (kg)
20 - 110	790 132 001	75.000



Clamping inserts

- The clamping inserts are different for each dimension. They are used to clamp and position the pipe components.

d (mm)	Code	SP	Weight (kg)	Pieces
20	790 132 051	0	0.108	1
25	790 132 052	0	0.106	1
32	790 132 053	0	0.104	1
40	790 132 054	0	0.100	1
50	790 132 055	0	0.095	1
63	790 132 156	0	0.085	1
75	790 132 157	0	0.087	1
90	790 132 158	0	0.064	1



Set of facing knives

- A set includes two facing knives and six screws. Each facing knife has four blades. The blade may be turned three times before it must be replaced.

d-d (mm)	Code	SP	Weight (kg)	Pieces
20 - 110	790 132 061	0	0.007	2



IR-225 Plus Fusion Machine

Model:

- Fully-equipped manually operated infrared fusion machine with integrated working table for use under clean room conditions
- Welding of PVDF SYGEF (Standard/Plus), ECTFE SYGEF, PP-H PROGEF (Standard/Plus), PP-n PROGEF Natural, PE100 ecoFIT
- Dimensions d63-225 mm
- Monochrome display with icons and various languages
- 2 USB interfaces
- Heating and facing element
- Clamping slide with movable clamping units
- Cooling fan
- Clamping inserts d63-225 mm (8 pcs. per dimension)
- End caps PE d63-225 mm (4 pcs. per dimension)
- Pipe stop
- Transport box with integrated pallet (stainless steel)
- 1-phase AC (50/60 Hz) 230V L/N/PE or 3-phase AC (50/60 Hz) 400V/230VL1/L2/L3/N/PE
- Connecting cable 400V - 230V
- Additional tools
- Label printer
- Instruction manual

d-d (mm)	Code	Weight (kg)
63 - 225	790 133 009	453.000



Clamping inserts

- The clamping inserts are different for each dimension. They are used to clamp and position the pipe components.

d (mm)	Code	SP	Weight (kg)	Pieces
63	790 133 026	1	0.700	1
75	790 133 027	1	0.400	1
90	790 133 028	1	0.691	1
110	790 133 029	1	0.644	1
125	790 133 030	1	0.500	1
140	790 133 031	1	0.600	1
160	790 133 032	1	0.600	1
180	790 133 463	1	0.560	1
200	790 133 033	1	0.700	1
225	790 133 034	1	0.270	1



Set of facing knives

- A set includes two facing knives and eight screws. Each facing knife has four blades. The blade may be turned three times before it must be replaced.

d-d (mm)	Code	SP	Weight (kg)	Pieces
63 - 225	790 133 046	1	0.125	2



Set of end caps

- A set includes 4 end caps. The end caps are different for each dimension. The ends of the pipe **must** be closed. The caps prevent heat loss due to airflow in the fusion zone and guarantee optimum fusion results of the pipe components.

d (mm)	Code	Weight (kg)	Pieces
20	790 131 030	0.040	4
25	790 131 031	0.010	4
32	790 131 032	0.088	4
40	790 131 033	0.005	4
50	790 131 034	0.005	4
63	790 131 035	0.023	4
75	790 133 036	0.095	4
90	790 133 037	0.028	4
110	790 133 038	0.180	4



Label Printer

- Label 36 mm included, order Label 24 mm separately

description	Code	Weight (kg)
Label Printer Brother PT-P900W	790 131 066	2.740
Ribbon 24 mm Brother TZe-251	790 131 065	0.100



Cleaning tissue KO-TON-R

Minimum order quantity 100 pieces

- This cleaning tissue is suitable for the cleaning of the welding zone of piping components, because it is lint free and clean room checked.

Code	Weight (kg)
790 122 085	0.005



Tangit KS Cleaner

- Special cleaner for plastic fusion connections in the material of PP, PE, PVDF and PB
- Suitable for Tangit Rapid. Must not be used for solvent cementing
- DVGW approved
- DW 5290 BR 0464

Size	Code	SP	Weight (kg)
1 liter	799 298 023	8	0.872