

Signet 0252 Configuration Tool



The new 0252 Configuration Tool interfaces with Signet SmartPro® Transmitters and blind sensors, allowing fast and easy configuration using a PC. The configuration information can be saved to a file and stored on a PC to be used later on a replacement sensor or for another sensor in a similar application.

The saved configuration file can be downloaded to the sensor or the SmartPro Transmitters in mere seconds.

The save and load features allow you to back up all of your settings and transfer them to future devices. You can also e-mail the files to share with other users of the 0252 software.

The 0252 will graph and data log sensors in real time for trend and troubleshooting analysis. Export data logs in comma-separated value (CSV) format for review and reporting in many popular spreadsheet and database applications.

Support for new sensors and products is as simple as connecting to the Internet. The software will automatically download updates from the Internet to ensure you have the latest version of the application.

The software is supported in the following languages: Chinese, English, French, German, Italian, Portuguese and Spanish.

Features

- Back up and restore SmartPro® Transmitters and blind sensors configurations to a computer file
- User-friendly interface
- Configure settings such as instrument type, units, scale 4 to 20 current loops and modify labels from the computer
- Calibrate 2580 FlowtraMag Meter, 2610 Dissolved Oxygen and 2751 pH/ORP Smart Sensor Electronics
- Use a single file to clone multiple SmartPro® Transmitters and blind sensors
- Red and blue LED indicators for power and data



Compatibility

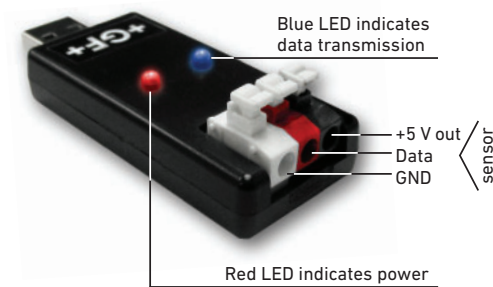
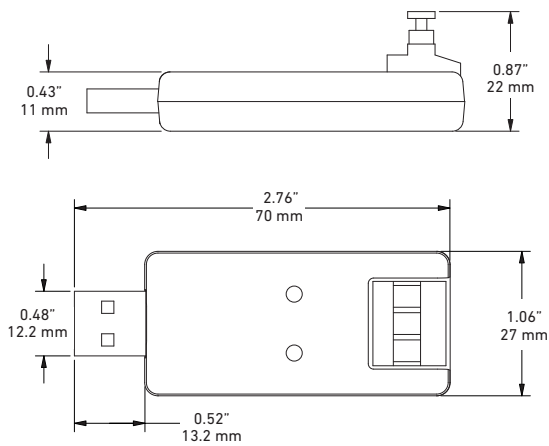
- 9900 Transmitter
- 2250 Level Sensor
- 2350 Temperature Sensor
- 2450 Pressure Sensor
- 2551 Magmeter Flow Sensor
- 2552 Metal Magmeter Flow Sensor
- 2751 pH/ORP Smart Sensor Electronics
- 2580 FlowtraMag Meter
- 2610-51 Dissolved Oxygen
- Windows 7 (32 and 64-bit versions)
- Windows 8 and Windows 8.1 (32 and 64-bit versions)
- Windows 10 (32 and 64-bit versions)

Microsoft, Windows are registered trademarks of Microsoft Corporation in the United States and other countries.

Specifications

General		
Materials	ABS body	
Power Requirements	Supplied by USB Interface	
System Requirements	Windows 7 (32 and 64 bit), Windows 8, 8.1, and Windows 10 (32 and 64 bit), free USB port, administrator account for installation, Internet access required for automatic updates.	
Inputs	3-wire (S ³ L) input	
Output Specifications	USB 1.0 or greater	
Shipping Weight		
	0.220 kg	0.48 lb
Standards and Approvals		
	CE, FCC	
	RoHS compliant, China RoHS	

Dimensions



For wiring reference please see manual

System Overview

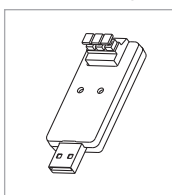
Modifiable Parameters (dependent on SmartPro Instrument type or sensor to be configured)

- Instrument type
 - Units of measure
 - Customer configurable tag (label)
 - 4 to 20 mA span
 - 4 to 20 mA error value
 - Relay and open collector modes
 - Bar graph span
 - Back light control
 - LCD contrast
 - Password
 - and other instrument and sensor specific settings
- Relay Modes (dependent on Instrument type)
 - Low set point
 - High set point
 - Window In
 - Window Out
 - PWM
 - Proportional Pulse
 - Cycle Low
 - Cycle High
 - Volumetric Pulse
 - Totalizer
 - Error

- Includes 2 m (6 ft) USB extension cable and 1 m (3 ft) SmartPro (9900) interface cable

Note: 2580 FlowtraMag meter, 2610 Dissolved Oxygen, 9900 SmartPro Transmitter, and 4 to 20 mA Output 2551/2552 Insertion Magmeters require and external 12 to 24 VDC power source.

Ordering Information



Mfr. Part No.	Code	Description
3-0252	159 001 808	Configuration Tool

Accessories and Replacement Parts

Mfr. Part No	Code	Description
6682-3004	159 001 725	Terminal Block Plug

Multi-Parameter Instruments

Communication Protocol

Chlorine

Dissolved Oxygen

Flow

pH/ORP

Conductivity/Resistivity

Level

Temperature

Pressure

Other Products

Installation & Wiring

Technical Reference

Temperature/Pressure Graphs